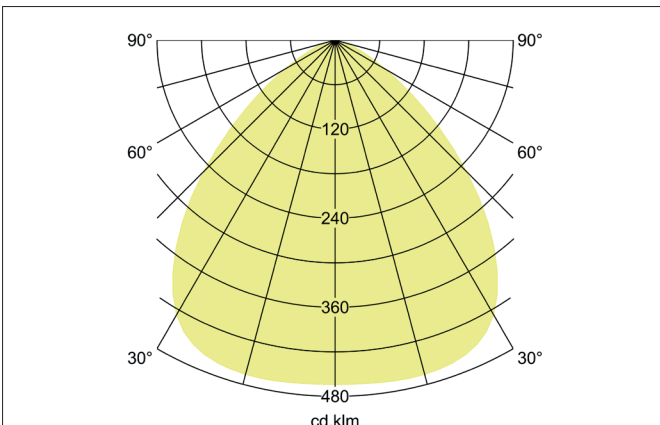
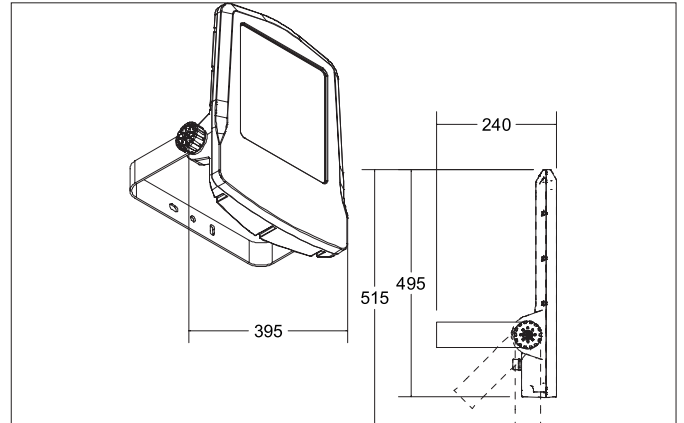


**MATRIX MIDI LED flood light, IP66**  
Article no. 60805644



**Tender**  
LED flood light, IP66, Square. Weight 8.474 kg, with rotationssymmetrical, deep, wide distributed light intensity. Cover glass transparent-Luminous flux 14.480 lm, Power 1 x 100 W, Light colour neutral white, Correlated color temperature (CCT) 4.000 K, Colour rendering index CRI > 80, Rated life time L80/B10 at 25 °C: 50.000 h, Housing material: Aluminium / Glass, Colour: titanium matt, Permissible ambient temperature (ta): -25 °C up to +50 °C, Protection class (EN 61140): I, Degree of protection (DIN EN 60529): IP66, shock resistance according to IEC62262: IK08 .With electronic driver, on/off switchable.

**Product Benefits**

- 5 years Brumberg light guarantee.
- High efficiency: more than 140 lumens per watt.
- Dustproof and waterproof with IP66.
- Internal cooling pins for optimal heat dissipation and long product life.
- Extremely temperature resistant (-25° C and +50° C).
- Wall and pole mounting possible (via accessories).
- Powerful with 20 W, 50 W or 100 W.
- Corrosion-resistant housing made of die-cast aluminium.
- Symmetrical light distribution, beam angle 100°, others possible on request.
- Asymmetric light distribution, beam angle 30 x 110°.
- Colour temperatures: 3000 K, 4000 K.

**MATRIX MIDI LED flood light, IP66**

Article no. 60805644

Article data	
Article no.	60805644
GTIN	425 143395 1339
Series name	MATRIX MIDI
Short description	LED flood light, IP66
Material	Aluminium / Glass
Colour	titanium matt
Type of surface	Structure
Shape	Square
Scope of delivery	incl. converter for connection to 230 V mains voltage, switchable, 800 mm connection cable, cable connector 3-pole and pressure compensation valve.
Weight	8.474 kg
Length of the connection line	800 mm
D licence plate	No
Conformance	CE, UKCA

Lighting technology	
Colour temperature	4.000 K
Light colour	white
Light output	Direct
Luminous flux	14,480 lm
System efficiency	145 lm/W
McAdam-Step	McAdam-Step 3
Colour rendering	CRI > 80
Luminaire optics	Lens
Beam angle	100°
Light sharing	Symmetric
Adjustable color temperature	No

Operating technology of the luminaire	
System output	100 W
Voltage type	AC
AC nominal voltage min	120 V
AC nominal voltage max	277 V
Frequency max	63 Hz
Frequency min	47 Hz
Lamp	LED
Lamp holder	Without fitting
Protection class	I
Degree of protection	IP66
Ambient temperature	-25°C up to +50°C
Control	on/off
Length of the connection line	800 mm
Bulb change possible	The light source of this luminaire may only be replaced by the manufacturer or a service technician commissioned by him or a similarly qualified person.
Rated life time L80/B10 at 25 °C	50.000 h
Energy efficiency class	not required

Mounting technology	
Mounting method	Surface mounting
Place of installation	Wall-mounted
Adjustability	Pivoted
Swivel angle	180°
Impact resistance	IK08
Material cover	Glass transparent
Suitable for through-wiring	No

**BRUMBERG**

Light. Since 1873.

**MATRIX MIDI LED flood light, IP66**

Article no. 60805644

Packing data	
Gross weight	9.169 kg
Length of packaging	525 mm
Packaging width	410 mm
Packaging height	120 mm
Disposal at end of life	This product must not be disposed of with household waste. You are obliged, to dispose of such electrical waste separately. By disposing of electrical waste and other old or defective electronics separately, you support recycling or other forms of re-use. In that way you help to take care and to avoid that harmful substances get into the environment.

Optional accessories	
Article no.: 81122640	
Mast bracket for 60805, 60806...(Midi)	
<a href="https://www.brumberg.com/fileadmin/products/Datenblatt_81122640_2021_DE.pdf">https://www.brumberg.com/fileadmin/products/Datenblatt_81122640_2021_DE.pdf</a>	