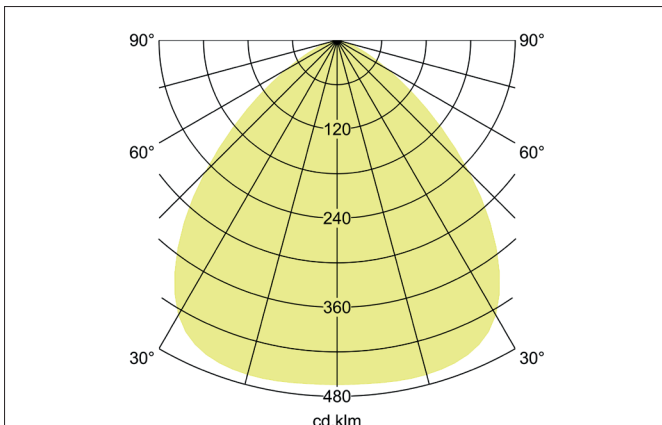
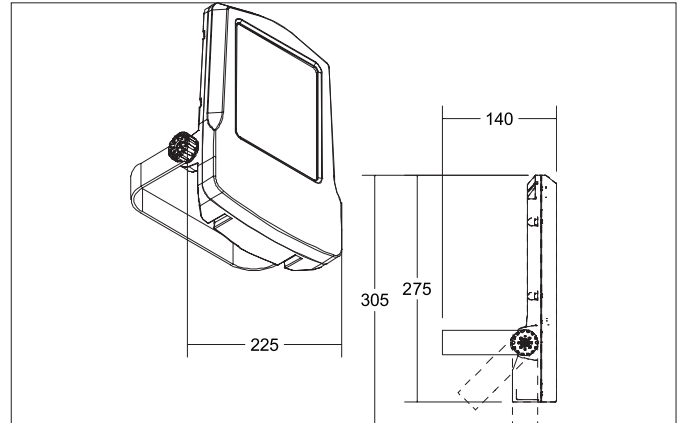




## MATRIX MICRO LED flood light, IP66

Article no. 60801644



### Tender

LED flood light, IP66, Rectangular. Weight 2.348 kg, with rotationssymmetrical, deep, wide distributed light intensity. Cover glass transparent. Luminous flux 2.890 lm, Power 1 x 20 W, Light colour neutral white, Correlated color temprature (CCT) 4.000 K, Colour rendering index CRI > 80, Rated life time L80/B10 at 25 °C: 50.000 h, Housing material: Aluminium / Glass, Colour: titanium matt, Permissible ambient temperature (ta): -25 °C up to +50 °C, Protection class (EN 61140): I, Degree of protection (DIN EN 60529): IP66, shock resistance according to IEC62262: IK08 .With electronic driver, on/off switchable.

### Product Benefits

- 5 years Brumberg light guarantee.
- High efficiency: more than 140 lumens per watt.
- Dustproof and waterproof with IP66.
- Internal cooling pins for optimal heat dissipation and long product life.
- Extremely temperature resistant (-25° C and +50° C).
- Wall and pole mounting possible (via accessories).
- Powerful with 20 W, 50 W or 100 W.
- Corrosion-resistant housing made of die-cast aluminium.
- Symmetrical light distribution, beam angle 100°, others possible on request.
- Asymmetric light distribution, beam angle 30 x 110°.
- Colour temperatures: 3000 K, 4000 K.

**MATRIX MICRO LED flood light, IP66**

Article no. 60801644

Article data	
Article no.	60801644
GTIN	4251433951315
Series name	MATRIX MICRO
Short description	LED flood light, IP66
Material	Aluminium / Glass
Colour	titanium matt
Type of surface	Structure
Shape	Rectangular
Scope of delivery	incl. converter for connection to 230 V mains voltage, switchable, 800 mm connection cable, cable connector 3-pole and pressure compensation valve.
Weight	2.348 kg
Length of the connection line	800 mm
D licence plate	No
Conformance	CE, UKCA

Lighting technology	
Colour temperature	4.000 K
Light colour	white
Light output	Direct
Luminous flux	2,890 lm
System efficiency	144 lm/W
McAdam-Step	McAdam-Step 3
Colour rendering	CRI > 80
Luminaire optics	Lens
Beam angle	100°
Light sharing	Symmetric
Adjustable color temperature	No

Operating technology of the luminaire	
System output	20 W
Voltage type	AC
AC nominal voltage min	200 V
AC nominal voltage max	277 V
Frequency max	63 Hz
Frequency min	47 Hz
Lamp	LED
Lamp holder	Without fitting
Protection class	I
Degree of protection	IP66
Ambient temperature	-25°C up to +50°C
Control	on/off
Length of the connection line	800 mm
Bulb change possible	The light source of this luminaire may only be replaced by the manufacturer or a service technician commissioned by him or a similarly qualified person.
Rated life time L80/B10 at 25 °C	50.000 h
Energy efficiency class	not required

Mounting technology	
Mounting method	Surface mounting
Place of installation	Wall-mounted
Adjustability	Pivoted
Swivel angle	180°
Impact resistance	IK08
Material cover	Glass transparent
Suitable for through-wiring	No



**MATRIX MICRO LED flood light, IP66**

Article no. 60801644

Packing data	
Gross weight	2.625 kg
Length of packaging	350 mm
Packaging width	250 mm
Packaging height	110 mm
Disposal at end of life	<p>This product must not be disposed of with household waste. You are obliged, to dispose of such electrical waste separately.</p> <p>By disposing of electrical waste and other old or defective electronics separately, you support recycling or other forms of re-use. In that way you help to take care and to avoid that harmful substances get into the environment.</p>

Optional accessories	
Article no.: 81100640	Extension adapter to 60801, 60802... (Micro)
Dimensions: 500 mm x 150 mm	<a href="https://www.brumberg.com/fileadmin/products/Datenblatt_81100640_2021_DE.pdf">https://www.brumberg.com/fileadmin/products/Datenblatt_81100640_2021_DE.pdf</a>
Article no.: 81120640	Mast bracket for 60801 ,60802...(Micro)
	<a href="https://www.brumberg.com/fileadmin/products/Datenblatt_81120640_2021_DE.pdf">https://www.brumberg.com/fileadmin/products/Datenblatt_81120640_2021_DE.pdf</a>