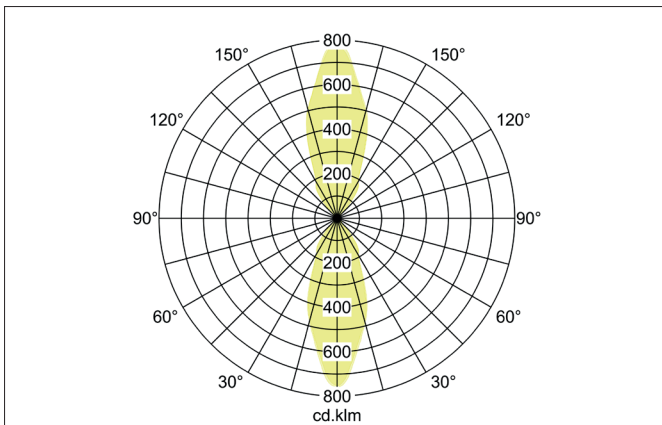
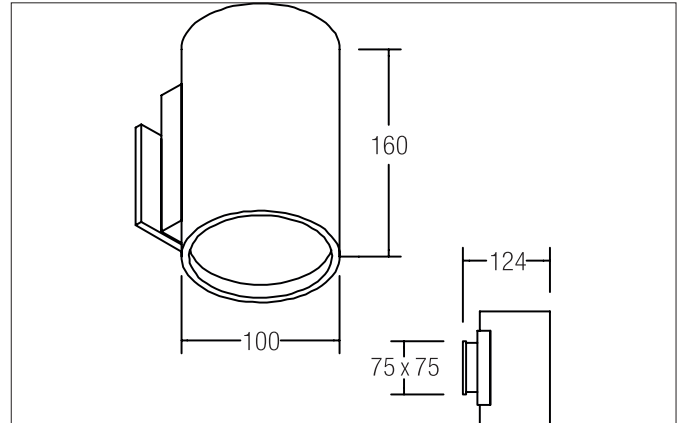




TUBIC LED wall surface mounted luminaire, with indirect light component

Article no. 10042173



Tender
 LED wall surface mounted luminaire, with indirect light component, Round. Luminaire diameter 100.0 mm, Height 126.0 mm Weight 1.522 kg, Reflector silver with rotationssymmetrical, deep, wide distributed light intensity. Cover plastic, transparent Luminous flux 1.350 lm, Power 2 x 13 W, Light colour warm white, Correlated color temprature (CCT) 3.000 K, Colour rendering index CRI > 90, Housing material: Aluminium / Plastic, Colour: white structure, Permissible ambient temperature (ta): -20 °C up to +25 °C, Protection class (EN 61140): I, Degree of protection (DIN EN 60529): IP20. With electronic driver, on/off switchable.

Article data	
Article no.	10042173
GTIN	4251433915737
Series name	TUBIC
Short description	LED wall surface mounted luminaire, with indirect light component
Material	Aluminium / Plastic
Colour	white structure
Type of surface	Matt
Shape	Round
Outer diameter	100 mm
Height	126 mm
Scope of delivery	Incl. converter for connection to the 230-V mains voltage, on/off switchable
Weight	1.522 kg
D licence plate	No
Conformance	CE, UKCA


TUBIC LED wall surface mounted luminaire, with indirect light component

Article no. 10042173

Lighting technology	
Colour temperature	3.000 K
Light colour	white
Light output	Direct/Indirect
Luminous flux	1,350 lm
System efficiency	104 lm/W
Colour rendering	CRI > 90
Reflector	High-gloss
Reflector colour	silver
Beam angle	40°
Light sharing	Symmetric
Adjustable color temperature	No

Operating technology of the luminaire	
System output	13 W
Voltage type	AC
AC nominal voltage max	230 V
Frequency max	50 Hz
Lamp	LED
Lamp holder	Without fitting
Protection class	I
Degree of protection	IP20
Dimmable	No
Control	on/off
Bulb change possible	The light source of this luminaire may only be replaced by the manufacturer or a service technician commissioned by him or a similarly qualified person.
Energy efficiency class	not required

Mounting technology	
Mounting method	Surface mounting
Place of installation	Wall-mounted
Adjustability	Not adjustable
Material cover	Plastic, transparent

Packing data	
Gross weight	1.622 kg
Length of packaging	130 mm
Packaging width	130 mm
Packaging height	200 mm
Disposal at end of life	This product must not be disposed of with household waste. You are obliged, to dispose of such electrical waste separately. By disposing of electrical waste and other old or defective electronics separately, you support recycling or other forms of re-use. In that way you help to take care and to avoid that harmful substances get into the environment.