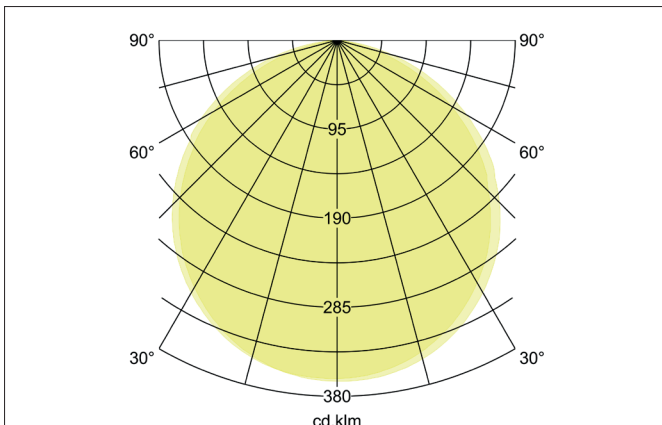
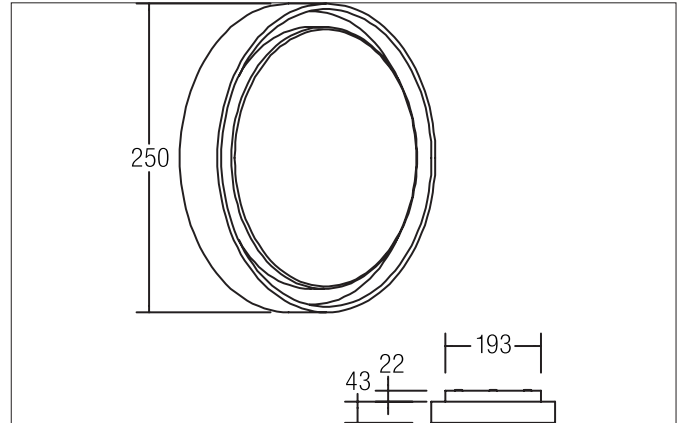




**BARTIE LED wall and ceiling surface mounted luminaire, IP54**  
 Article no. 60107183



**Tender**  
 LED wall and ceiling surface mounted luminaire, IP54, Round. Luminaire diameter 250.0 mm, Hight 43.0 mm Weight 1.633 kg, with rotattionssymmetrical, deep, wide distributed light intensity. Cover plastic, opal. Luminous flux 1.210 lm, Power 1 x 14 W, Light colour warm white, Correlated color temprature (CCT) 3.000 K, Colour rendering index CRI > 80, Rated life time L70/B50 at 25 °C: 36.000 h, Housing material: Aluminium / Acrylic, Colour: black structure, Permissible ambient temperature (ta): -20 °C - +25 °C, Protection class (EN 61140): I, Degree of protection (DIN EN 60529): IP54, shock resistance according to IEC62262: IK08 .With electronic driver, on/off switchable.

Article data	
Article no.	60107183
GTIN	4251433914815
Series name	BARTIE
Short description	LED wall and ceiling surface mounted luminaire, IP54
Material	Aluminium / Acrylic
Colour	black structure
Type of surface	Structure
Shape	Round
Outer diameter	250 mm
Width	250 mm
Hight	43 mm
Scope of delivery	Incl. converter for connection to the 230-V mains voltage
Weight	1.633 kg
Conformance	CE, UKCA


**BARTIE LED wall and ceiling surface mounted luminaire, IP54**

Article no. 60107183

Lighting technology	
Colour temperature	3.000 K
Light colour	white
Light output	Direct
Luminous flux	1,210 lm
System efficiency	86 lm/W
Colour rendering	CRI > 80
Beam angle	110°
Light sharing	Symmetric
Adjustable color temperature	No

Operating technology of the luminaire	
System output	14 W
Voltage type	AC
AC nominal voltage max	230 V
Frequency max	50 Hz
Lamp	LED
Lamp holder	Without fitting
Protection class	I
Degree of protection	IP54
Dimmable	No
Control	on/off
Bulb change possible	The light source of this luminaire may only be replaced by the manufacturer or a service technician commissioned by him or a similarly qualified person.
Rated life time L70/B50 at 25 °C	36,000 h
Energy efficiency class	not required

Mounting technology	
Mounting method	Surface mounting
Place of installation	Wall-mounted
Adjustability	Not adjustable
Impact resistance	IK08
Further references	Outdoor
Material cover	Plastic, opal
Suitable for through-wiring	No

Packing data	
Gross weight	1.769 kg
Length of packaging	260 mm
Packaging width	75 mm
Packaging height	260 mm
Disposal at end of life	This product must not be disposed of with household waste. You are obliged, to dispose of such electrical waste separately. By disposing of electrical waste and other old or defective electronics separately, you support recycling or other forms of re-use. In that way you help to take care and to avoid that harmful substances get into the environment.