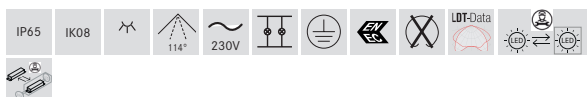
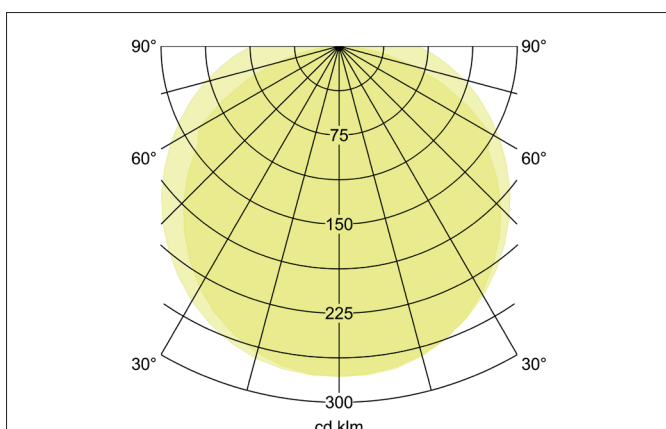
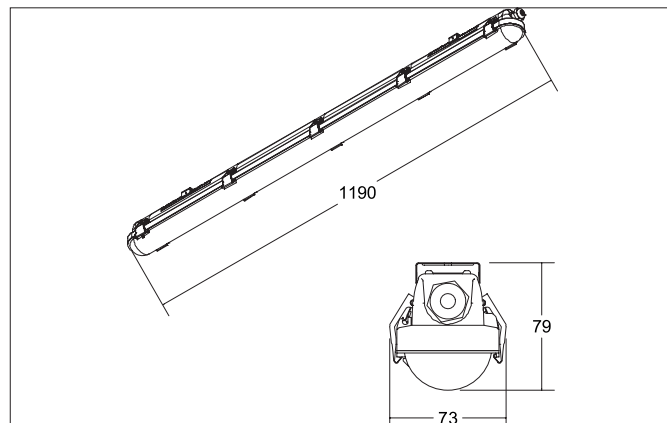




HUMID ONE LED damp proof luminaire, switchable

Article no. 78012114



Tender
 LED damp proof luminaire, switchable, Rectangular. Luminaire length 1190.0 mm, Luminaire width 73.0 mm, Hight 79.0 mm Weight 1.306 kg, with rotationssymmetrical, deep, wide distributed light intensity. Cover polycarbonat clear Luminous flux 2.300 lm, Power 1 x 18 W, Light colour neutral white, Correlated color temperature (CCT) 4.000 K, Colour rendering index CRI > 80, Rated life time L80/B50 at 25 °C: 50.000 h, Housing material: Polycarbonate / Stainless steel, Colour: grey, Permissible ambient temperature (ta): -20 °C up to +40 °C, Protection class (EN 61140): I, Degree of protection (DIN EN 60529): IP65, shock resistance according to IEC62262: IK08 .With electronic driver, on/off switchable. Additionally this luminaire is ENEC-proofed by an independent laboratory.



HUMID ONE LED damp proof luminaire, switchable

Article no. 78012114

Product Benefits

- 5-year Brumberg light guarantee.
- BEG LED lighting promotion.
- D mark for operating sites at risk of fire.
- ENEC certified.
- Long service life: L80B50 > 50,000 h at +25 °C.
- Multilumen thanks to dip-switch switch.
- High efficiency.
- Planning reliability thanks to enclosed accessories for any type of installation (ceiling and wall surface-mounted and pendant).
- Cover and LED board form a single unit for quick and easy installation.
- quick and easy installation.
- Pre-punched holes for different cable entries.
- Robust, impact-resistant polycarbonate housing with IK08.
- All metal mounting parts made of stainless steel (retaining clips, screws etc.).
- Ambient temperature range: -20 °C to +40 °C.
- Quick installation: through-wiring via cable sets
- 600/1,200/1,500 mm cable sets possible (can be ordered as an option).

Bestromung	Leistung	Lichtstrom
200 mA	10 W	1.250 lm
250 mA	13 W	1.625 lm
300 mA	15 W	1.875 lm
350 mA	18 W	2.300 lm

Article data	
Article no.	78012114
GTIN	4251433951568
Series name	HUMID ONE
Short description	LED damp proof luminaire, switchable
Material	Polycarbonate / Stainless steel
Colour	grey
Type of surface	Matt
Shape	Rectangular
Length	1,190 mm
Width	73 mm
Hight	79 mm
Scope of delivery	Delivery: incl. converter for connection to 230 V mains voltage, switchable Delivery incl. mounting accessory set consisting of: - 4 x locking screws for clip holder, - 2 x locking screws and nuts for universal mounting bracket, - 4 x (78012/78013 = 2 x) mounting screws and dowels, - 2 x universal mounting brackets for wall, ceiling or pendant mounting (brackets required for hanging in the mounting bracket included). - 1 x IP65 cable gland PG13.5 (cable diameter Ø 6 - 12 mm)
Weight	1.306 kg
D licence plate	Yes
stamp	ENEC
Conformance	CE, UKCA


HUMID ONE LED damp proof luminaire, switchable

Article no. 78012114

Lighting technology	
Colour temperature	4.000 K
Light colour	white
Light output	Direct
Luminous flux	2,300 lm
System efficiency	128 lm/W
McAdam-Step	McAdam-Step 5
Colour rendering	CRI > 80
Beam angle	114°
Light sharing	Symmetric
Adjustable color temperature	No

Operating technology of the luminaire	
System output	18 W
Voltage type	AC
AC nominal voltage min	198 V
AC nominal voltage max	264 V
Frequency max	60 Hz
Frequency min	50 Hz
Lamp	LED
Lamp holder	Without fitting
Protection class	I
Degree of protection	IP65
Ambient temperature	-20°C up to +40°C
Dimmable	No
Control	on/off
Bulb change possible	The light source of this luminaire may only be replaced by the manufacturer or a service technician commissioned by him or a similarly qualified person.
Glow wire test according to IEC 60695-2-12	850°C - 5s
Rated life time L80/B50 at 25 °C	50.000 h
Energy efficiency class	not required
max. no. lights on B16 A	74
max. no. lights on C16 A	115

Operating technology of driver	
--------------------------------	--

Mounting technology	
Mounting method	Surface mounting
Place of installation	Ceiling-/Wall-/Pendant-mounted
Adjustability	Not adjustable
Impact resistance	IK08
Cover	Polycarbonat clear
Circlip	Without circlip
Suitable for through-wiring	Yes, with optional accessories

Packing data	
Gross weight	1.475 kg
Length of packaging	1,200 mm
Packaging width	78 mm
Packaging height	78 mm
Disposal at end of life	This product must not be disposed of with household waste. You are obliged, to dispose of such electrical waste separately. By disposing of electrical waste and other old or defective electronics separately, you support recycling or other forms of re-use. In that way you help to take care and to avoid that harmful substances get into the environment.



HUMID ONE LED damp proof luminaire, switchable

Article no. 78012114

Optional accessories

Article no.: 81011120

Through-wiring, 3-pole, length 1,200 mm, for 78012 / 78014

Dimensions: 1,190 mm

https://www.brumberg.com/fileadmin/products/Datenblatt_81011120_2021_DE.pdf

Article no.: 81011040

Mounting accessory set for HUMID ONE, for width: 73 mm

https://www.brumberg.com/fileadmin/products/Datenblatt_81011040_2021_DE.pdf

Article no.: 81078030

Conversion kit 3 h emergency light to 78902, 78903

Leistung: 3 W

https://www.brumberg.com/fileadmin/products/Datenblatt_81078030_2021_DE.pdf