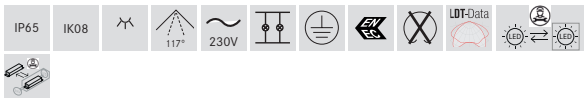
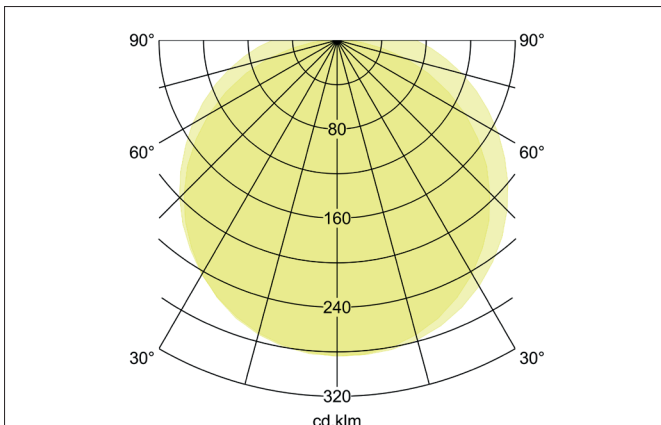
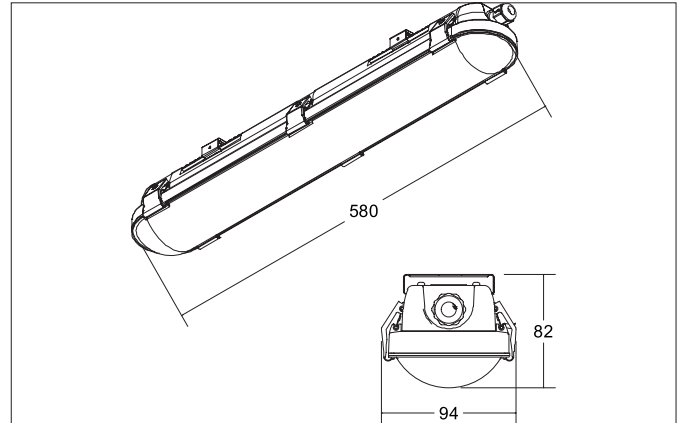




HUMID ONE LED surface mounted damp proof luminaire

Article no. 78011114



Tender

LED surface mounted damp proof luminaire, Rectangular. Luminaire length 580.0 mm, Luminaire width 94.0 mm, Height 82.0 mm Weight 1.583 kg, with rotationssymmetrical, deep, wide distributed light intensity. Cover polycarbonat clear Luminous flux 2.300 lm, Power 1 x 18 W, Light colour neutral white, Correlated color temperature (CCT) 4.000 K, Colour rendering index CRI > 80, Rated life time L80/B50 at 25 °C: 50.000 h, Housing material: Polycarbonate / Stainless steel, Colour: grey, Permissible ambient temperature (ta): -20 °C up to +40 °C, Protection class (EN 61140): I, Degree of protection (DIN EN 60529): IP65, shock resistance according to IEC62262: IK08. With electronic driver, on/off switchable. Additionally this luminaire is ENEC-protected by an independent laboratory.

Product Benefits

- 5 years Brumberg light guarantee.
- Long service life time: L80B50 > 50,000 h at +25 °C.
- High efficiency: up to 135 lm / watt.
- Planning security thanks to included accessories for any type of installation (ceiling and wall mounting and pendulum).
- Cover and LED board form a unit for quick and easy installation
- Pre-punching for different cable entries.
- Robust, impact-resistant housing made of polycarbonate with IK08.
- All metal attachments made of stainless steel (retaining clips, screws, etc.).
- Osram brand converter.
- Quick installation: through-wiring via cable harnesses 600/1,200/1,500 mm possible (optionally orderable).
- ENEC certified.


HUMID ONE LED surface mounted damp proof luminaire

Article no. 78011114

Bestromung	Leistung	Lichtstrom
200 mA	10 W	1.250 lm
250 mA	13 W	1.625 lm
300 mA	15 W	1.875 lm
350 mA	18 W	2.300 lm

Article data	
Article no.	78011114
GTIN	4251433951551
Series name	HUMID ONE
Short description	LED surface mounted damp proof luminaire
Material	Polycarbonate / Stainless steel
Colour	grey
Type of surface	Matt
Shape	Rectangular
Length	580 mm
Width	94 mm
Hight	82 mm
Scope of delivery	Delivery: incl. converter to connection to 230 V mains voltage, on/off switchable Delivery incl. mounting accessories set consisting of: - 4 x locking screws for clip holders, - 2 x locking screws and nuts for universal mounting brackets, - 4 x (78012/78013 = 2 x) mounting screws and dowels, - 2 x Universal mounting bracket for wall, ceiling or pendulum mounting (required tabs for mounting in the mounting holder included). - 1 x IP65 cable gland PG13.5 (cable diameter Ø 6 - 12 mm)
Weight	1.583 kg
D licence plate	Yes
stamp	ENEC
Conformance	CE, UKCA

Lighting technology	
Colour temperature	4.000 K
Light colour	white
Light output	Direct
Luminous flux	2,300 lm
System efficiency	128 lm/W
McAdam-Step	McAdam-Step 5
Colour rendering	CRI > 80
Beam angle	117°
Light sharing	Symmetric
Adjustable color temperature	No


HUMID ONE LED surface mounted damp proof luminaire

Article no. 78011114

Operating technology of the luminaire	
System output	18 W
Voltage type	AC
AC nominal voltage min	198 V
AC nominal voltage max	264 V
Frequency max	60 Hz
Frequency min	50 Hz
Lamp	LED
Lamp holder	Without fitting
Protection class	I
Degree of protection	IP65
Ambient temperature	-20°C up to +40°C
Dimmable	No
Control	on/off
Bulb change possible	The light source of this luminaire may only be replaced by the manufacturer or a service technician commissioned by him or a similarly qualified person.
Glow wire test according to IEC 60695-2-12	850°C - 5s
Rated life time L80/B50 at 25 °C	50.000 h
Energy efficiency class	not required
max. no. lights on B16 A	74
max. no. lights on C16 A	115

Operating technology of driver	

Mounting technology	
Mounting method	Surface mounting
Place of installation	Ceiling-/Wall-/Pendant-mounted
Adjustability	Not adjustable
Impact resistance	IK08
Cover	Polycarbonat clear
Circlip	Without circlip
Suitable for through-wiring	Yes, with optional accessories

Packing data	
Gross weight	1.771 kg
Length of packaging	1,200 mm
Packaging width	80 mm
Packaging height	110 mm
Disposal at end of life	This product must not be disposed of with household waste. You are obliged, to dispose of such electrical waste separately. By disposing of electrical waste and other old or defective electronics separately, you support recycling or other forms of re-use. In that way you help to take care and to avoid that harmful substances get into the environment.

Optional accessories	
Article no.: 81011060 Cable connection	
Dimensions: 580 mm https://www.brumberg.com/fileadmin/products/Datenblatt_81011060_2021_DE.pdf	
Article no.: 81011050 Mounting accessories set for HUMID ONE, for width: 94 mm	
https://www.brumberg.com/fileadmin/products/Datenblatt_81011050_2021_DE.pdf	