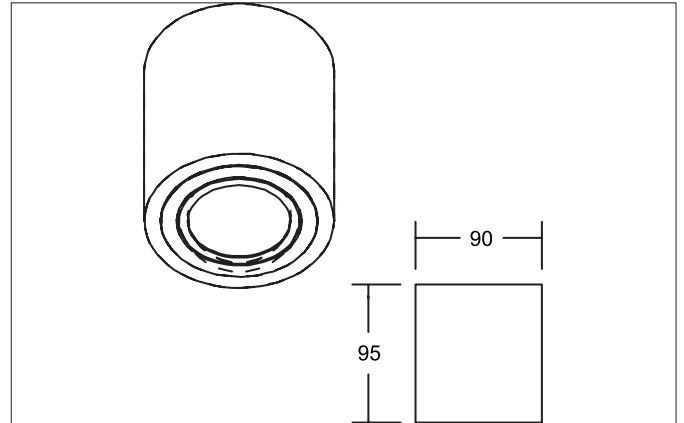



M1 Surface mounted housing, round, flush, with module bracket recessed, pivoted

Article no. 45108560


Tender

Surface mounted housing, round, flush, with module bracket recessed, pivoted, black structure / white structure, Round. Compact design for harmonious implementation in well-rounded architectural room concepts. Lamp holder: Without fitting, Mounting method: Surface mounting, Place of installation: Ceiling-mounted, Material: Aluminium, Degree of protection: according to DIN EN 60529 IP20, Protection class: (EN 61140) III, Power: 8 W, Amount of light sources / fittings: 1 piece, Adjustability: Pivoted, without control gear, Dimmable: Depending on type of control gear, Type of dimming: Depending on driver.

Product Benefits

- Part of the modular M1 system for recessed and surface-mounted ceilings and wall mounting.
- Empty housing for accommodating Brumberg LED modules up to an output of max. 8 W.
- Available in single color textured white, textured black or in combination textured white / textured black or textured black / textured white.
- Over 200 other housing versions plus approx. 30 different LED modules for these housing versions for all common control types.
- Multi-lamp versions also available.

Note: When fitted with 24 V LED modules, the power supply unit and control unit must always be installed outside the housing for space reasons.


M1 Surface mounted housing, round, flush, with module bracket recessed, pivoted

Article no. 45108560

| Article data | |
|-------------------|------------------------------------------------------------------------------|
| Article no. | 45 108560 |
| GTIN | 425 1433932 123 |
| Series name | M1 |
| Short description | Surface mounted housing, round, flush, with module bracket recessed, pivoted |
| Material | Aluminium |
| Colour | black structure / white structure |
| Type of surface | Structure |
| Shape | Round |
| Outer diameter | 90 mm |
| Hight | 95 mm |
| Scope of delivery | Incl. module holder recessed, pivoted |
| Weight | 0.259 kg |
| D licence plate | No |
| Conformance | CE, UKCA |

| Operating technology of the luminaire | |
|---------------------------------------|-----------------------------------|
| Lamp | For LED |
| Lamp holder | Without fitting |
| Protection class | III |
| Degree of protection | IP20 |
| Dimmable | Depending on type of control gear |
| Control | Depending on driver |
| Energy efficiency class | not required |

| Mounting technology | |
|-----------------------|------------------|
| Mounting method | Surface mounting |
| Place of installation | Ceiling-mounted |
| Adjustability | Pivoted |
| Swivel angle | 20° |
| Material cover | Without cover |
| Circlip | Without circlip |

| Packing data | |
|-------------------------|--------------------------------------------------------------------------------------------------------------------------------------------------------------------------------------------------------------------------------------------------------------------------------------------------------------------------------------------------------------------------------|
| Gross weight | 0.299 kg |
| Length of packaging | 100 mm |
| Packaging width | 100 mm |
| Packaging hight | 105 mm |
| Disposal at end of life | <p>This product must not be disposed of with household waste. You are obliged, to dispose of such electrical waste separately.</p> <p>By disposing of electrical waste and other old or defective electronics separately, you support recycling or other forms of re-use. In that way you help to take care and to avoid that harmful substances get into the environment.</p> |


M1 Surface mounted housing, round, flush, with module bracket recessed, pivoted

Article no. 45108560

| Compatible LED-modu- | | | | | | | |
|----------------------|-------|------------|-------------------------------------------------------------|------------------|--|---------|-----------------|
| Article no. | Power | Beam angle | Colour temperature | Colour rendering | | Input | Hight LED-Modul |
| 12925003 | 3 W | 38° | 2.700 K | CRI > 80 | | 350 mA | 40 mm |
| 12926003 | 3 W | 38° | 3.000 K | CRI > 80 | | 350 mA | 40 mm |
| 12925004 | 3 W | 38° | 4.000 K | CRI > 80 | | 350 mA | 40 mm |
| 12923383 | 6 W | 38° | 2.700 K | CRI > 80 | | 350 mA | 32 mm |
| 12923603 | 6 W | 60° | 2.700 K | CRI > 80 | | 350 mA | 32 mm |
| 12927383 | 6 W | 38° | 2.700 K | CRI > 90 | | 350 mA | 32 mm |
| 12924383 | 6 W | 38° | 3.000 K | CRI > 80 | | 350 mA | 32 mm |
| 12924603 | 6 W | 60° | 3.000 K | CRI > 80 | | 350 mA | 32 mm |
| 12928383 | 6 W | 38° | 3.000 K | CRI > 90 | | 350 mA | 32 mm |
| 12924384 | 6 W | 38° | 3.500 K | CRI > 80 | | 350 mA | 32 mm |
| 12924604 | 6 W | 60° | 3.500 K | CRI > 80 | | 350 mA | 32 mm |
| 12928384 | 6 W | 38° | 3.500 K | CRI > 90 | | 350 mA | 32 mm |
| 12923384 | 6 W | 38° | 4.000 K | CRI > 80 | | 350 mA | 32 mm |
| 12923604 | 6 W | 60° | 4.000 K | CRI > 80 | | 350 mA | 32 mm |
| 12927384 | 6 W | 38° | 4.000 K | CRI > 90 | | 350 mA | 32 mm |
| 12920183 | 6 W | 18° | 3.000 K | CRI > 80 | | 350 mA | 31 mm |
| 12920243 | 6 W | 24° | 3.000 K | CRI > 80 | | 350 mA | 31 mm |
| 12920003 | 6 W | 38° | 3.000 K | CRI > 80 | | 350 mA | 31 mm |
| 12920603 | 6 W | 60° | 3.000 K | CRI > 80 | | 350 mA | 31 mm |
| 12920184 | 6 W | 18° | 4.000 K | CRI > 80 | | 350 mA | 31 mm |
| 12920244 | 6 W | 24° | 4.000 K | CRI > 80 | | 350 mA | 31 mm |
| 12920004 | 6 W | 38° | 4.000 K | CRI > 80 | | 350 mA | 31 mm |
| 12920604 | 6 W | 60° | 4.000 K | CRI > 80 | | 350 mA | 31 mm |
| 12963383 | 6 W | 38° | 3.000 K - 1.800 K | CRI > 90 | | 350 mA | 32 mm |
| 12963603 | 6 W | 60° | 3.000 K - 1.800 K | CRI > 90 | | 350 mA | 32 mm |
| 12823003 | 8 W | 60° | 2.850 K | CRI > 90 | | 24.00 V | 50 mm |
| 12845604 | 8 W | 60° | 2.700 K - 6.500 K | CRI > 90 | | 24.00 V | 52 mm |
| 18438002 | 8 W | 60° | RGB+WW | CRI > 90 | | 24.00 V | 50 mm |
| 12929503 | 6.3 W | 50° | 2.700 K / 3.000 K / 4.000 K | CRI > 80 | | 350 mA | 34 mm |
| 12930503 | 5.9 W | 50° | 2.700 K / 3.000 K / 4.000 K | CRI > 90 | | 350 mA | 34 mm |
| 12933553 | 6 W | 55° | 2.700 K / 3.000 K / 4.000 K + dim-2warm (3.000 K - 2.200 K) | CRI > 90 | | 350 mA | 32 mm |

**M1 Surface mounted housing, round, flush, with module bracket recessed, pivoted**

Article no. 45108560

Required accessories

Article no.: 17665000

LED converter 350 mA, switchable

Power: 1 - 3,2 W, Plug&Play

Dimensions: 52 mm x 30 mm x 23 mm

https://www.brumberg.com/fileadmin/products/Datenblatt_17665000_2021_DE.pdf

Article no.: 17662000

LED converter 350 mA, on/off switchable

Power: 1 - 7,2 W, Plug&Play

Dimensions: 68 mm x 35 mm x 21 mm

https://www.brumberg.com/fileadmin/products/Datenblatt_17662000_2021_DE.pdf

Article no.: 17652000

LED-round converter 350 mA, trailing-edge phase dimmer

Power: 4,9 - 7 W, Plug&Play

Dimensions: 51 mm x 24 mm

https://www.brumberg.com/fileadmin/products/Datenblatt_17652000_2021_DE.pdf

Article no.: 17658000

LED round converter 350 mA, DALI dimmable (digital)

Power: 2,1 - 9 W, Plug&Play

Dimensions: 56 mm x 25 mm

https://www.brumberg.com/fileadmin/products/Datenblatt_17658000_2021_DE.pdf