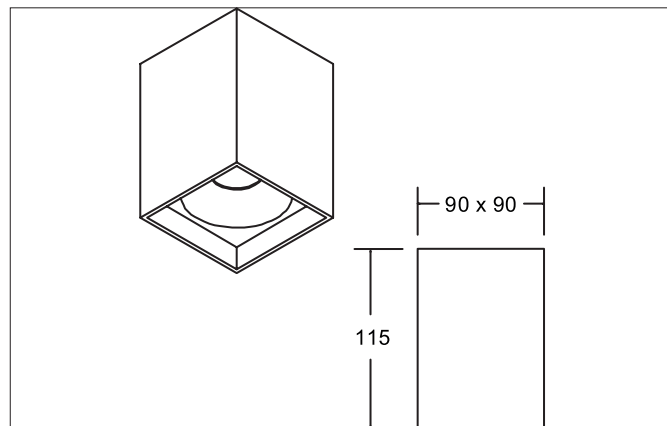



**M1 Surface mounted housing square, recessed, with module bracket recessed, pivoted**

Article no. 45105560


**Tender**

Surface mounted housing square, recessed, with module bracket recessed, pivoted, black structure / white structure, Square. Compact design for harmonious implementation in well-rounded architectural room concepts. Lamp holder: Without fitting, Mounting method: Surface mounting, Place of installation: Ceiling-mounted, Material: Aluminium, Degree of protection: according to DIN EN 60529 IP20, Protection class: (EN 61140) III, Power: 8 W, Amount of light sources / fittings: 1 piece, Adjustability: Pivoted, without control gear, Dimmable: Depending on type of control gear, Type of dimming: Depending on driver.

**Product Benefits**

- Part of the modular M1 system for recessed and surface-mounted ceilings and wall mounting.
- Empty housing for accommodating Brumberg LED modules up to an output of max. 8 W.
- Available in single color textured white, textured black or in combination textured white / textured black or textured black / textured white.
- Over 200 other housing versions plus approx. 30 different LED modules for these housing versions for all common control types.

Note: When fitted with 24 V LED modules, the power supply unit and control unit must always be installed outside the housing for space reasons.



## M1 Surface mounted housing square, recessed, with module bracket recessed, pivoted

Article no. 45105560

Article data	
Article no.	45105560
GTIN	4251433932017
Series name	M1
Short description	Surface mounted housing square, recessed, with module bracket recessed, pivoted
Material	Aluminium
Colour	black structure / white structure
Type of surface	Structure
Shape	Square
Length	90 mm
Width	90 mm
Hight	115 mm
Scope of delivery	Incl. module holder recessed, pivoted
Weight	0.415 kg
D licence plate	No
Conformance	CE, UKCA

Operating technology of the luminaire	
Lamp	For LED
Lamp holder	Without fitting
Protection class	III
Degree of protection	IP20
Dimmable	Depending on type of control gear
Control	Depending on driver
Energy efficiency class	not required

Mounting technology	
Mounting method	Surface mounting
Place of installation	Ceiling-mounted
Adjustability	Pivoted
Swivel angle	20°
Material cover	Without cover
Circlip	Without circlip

Packing data	
Gross weight	0.46 kg
Length of packaging	100 mm
Packaging width	100 mm
Packaging hight	135 mm
Disposal at end of life	This product must not be disposed of with household waste. You are obliged, to dispose of such electrical waste separately. By disposing of electrical waste and other old or defective electronics separately, you support recycling or other forms of re-use. In that way you help to take care and to avoid that harmful substances get into the environment.


**M1 Surface mounted housing square, recessed, with module bracket recessed, pivoted**

Article no. 45105560

Compatible LED-modu-							
Article no.	Power	Beam angle	Colour temperature	Colour rendering		Input	Hight LED-Modul
12925003	3 W	38°	2.700 K	CRI > 80		350 mA	40 mm
12926003	3 W	38°	3.000 K	CRI > 80		350 mA	40 mm
12925004	3 W	38°	4.000 K	CRI > 80		350 mA	40 mm
12923383	6 W	38°	2.700 K	CRI > 80		350 mA	32 mm
12923603	6 W	60°	2.700 K	CRI > 80		350 mA	32 mm
12927383	6 W	38°	2.700 K	CRI > 90		350 mA	32 mm
12924383	6 W	38°	3.000 K	CRI > 80		350 mA	32 mm
12924603	6 W	60°	3.000 K	CRI > 80		350 mA	32 mm
12928383	6 W	38°	3.000 K	CRI > 90		350 mA	32 mm
12924384	6 W	38°	3.500 K	CRI > 80		350 mA	32 mm
12924604	6 W	60°	3.500 K	CRI > 80		350 mA	32 mm
12928384	6 W	38°	3.500 K	CRI > 90		350 mA	32 mm
12923384	6 W	38°	4.000 K	CRI > 80		350 mA	32 mm
12923604	6 W	60°	4.000 K	CRI > 80		350 mA	32 mm
12927384	6 W	38°	4.000 K	CRI > 90		350 mA	32 mm
12920183	6 W	18°	3.000 K	CRI > 80		350 mA	31 mm
12920243	6 W	24°	3.000 K	CRI > 80		350 mA	31 mm
12920003	6 W	38°	3.000 K	CRI > 80		350 mA	31 mm
12920603	6 W	60°	3.000 K	CRI > 80		350 mA	31 mm
12920184	6 W	18°	4.000 K	CRI > 80		350 mA	31 mm
12920244	6 W	24°	4.000 K	CRI > 80		350 mA	31 mm
12920004	6 W	38°	4.000 K	CRI > 80		350 mA	31 mm
12920604	6 W	60°	4.000 K	CRI > 80		350 mA	31 mm
12963383	6 W	38°	3.000 K - 1.800 K	CRI > 90		350 mA	32 mm
12963603	6 W	60°	3.000 K - 1.800 K	CRI > 90		350 mA	32 mm
12823003	8 W	60°	2.850 K	CRI > 90		24.00 V	50 mm
12845604	8 W	60°	2.700 K - 6.500 K	CRI > 90		24.00 V	52 mm
18438002	8 W	60°	RGB+WW	CRI > 90		24.00 V	50 mm
12929503	6.3 W	50°	2.700 K / 3.000 K / 4.000 K	CRI > 80		350 mA	34 mm
12930503	5.9 W	50°	2.700 K / 3.000 K / 4.000 K	CRI > 90		350 mA	34 mm
12933553	6 W	55°	2.700 K / 3.000 K / 4.000 K + dim-2warm (3.000 K - 2.200 K)	CRI > 90		350 mA	32 mm

**M1 Surface mounted housing square, recessed, with module bracket recessed, pivoted**

Article no. 45105560

**Required accessories**

Article no.: 17665000

LED converter 350 mA, switchable

Power: 1 - 3,2 W, Plug&amp;Play

Dimensions: 52 mm x 30 mm x 23 mm

[https://www.brumberg.com/fileadmin/products/Datenblatt\\_17665000\\_2021\\_DE.pdf](https://www.brumberg.com/fileadmin/products/Datenblatt_17665000_2021_DE.pdf)

Article no.: 17662000

LED converter 350 mA, on/off switchable

Power: 1 - 7,2 W, Plug&amp;Play

Dimensions: 68 mm x 35 mm x 21 mm

[https://www.brumberg.com/fileadmin/products/Datenblatt\\_17662000\\_2021\\_DE.pdf](https://www.brumberg.com/fileadmin/products/Datenblatt_17662000_2021_DE.pdf)

Article no.: 17652000

LED-round converter 350 mA, trailing-edge phase dimmer

Power: 4,9 - 7 W, Plug&amp;Play

Dimensions: 51 mm x 24 mm

[https://www.brumberg.com/fileadmin/products/Datenblatt\\_17652000\\_2021\\_DE.pdf](https://www.brumberg.com/fileadmin/products/Datenblatt_17652000_2021_DE.pdf)

Article no.: 17658000

LED round converter 350 mA, DALI dimmable (digital)

Power: 2,1 - 9 W, Plug&amp;Play

Dimensions: 56 mm x 25 mm

[https://www.brumberg.com/fileadmin/products/Datenblatt\\_17658000\\_2021\\_DE.pdf](https://www.brumberg.com/fileadmin/products/Datenblatt_17658000_2021_DE.pdf)