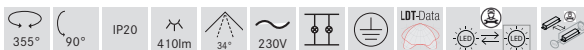
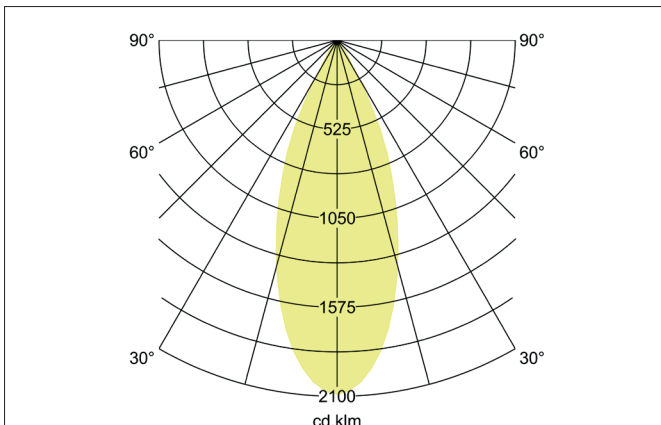
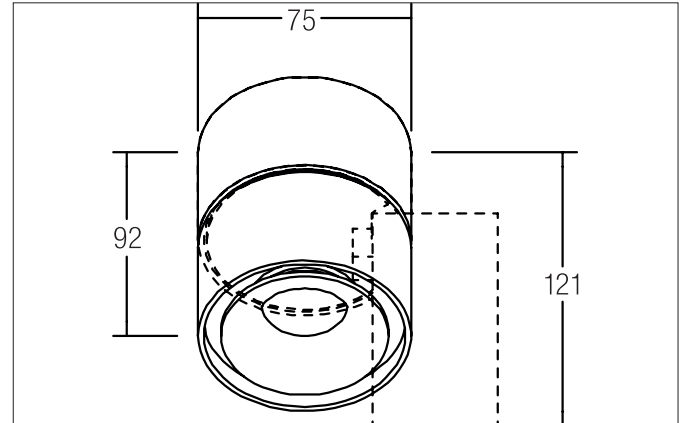




CIRCLE MINI LED surface-mounted spot, with all-round light gap, on/off switchable
Article no. 12062173



Tender
LED surface-mounted spot, with all-round light gap, on/off switchable, Round. Luminaire diameter 75.0 mm, Height 92.0 mm Weight 0.428 kg, Reflector silver with rotationssymmetrical, deep, wide distributed light intensity. Cover glass transparent. Luminous flux 410 lm, Power 1 x 6,2 W, Light colour warm white, Correlated color temprature (CCT) 3.000 K, Colour rendering index CRI > 80, Housing material: Aluminium / Glass, Colour: white structure, Permissible ambient temperature (ta): -20 °C - +25 °C, Protection class (EN 61140): I, Degree of protection (DIN EN 60529): IP20. With electronic driver, on/off switchable.

Article data	
Article no.	12062173
GTIN	4250047798460
Series name	CIRCLE MINI
Short description	LED surface-mounted spot, with all-round light gap, on/off switchable
Material	Aluminium / Glass
Colour	white structure
Type of surface	Structure
Shape	Round
Outer diameter	75 mm
Height	92 mm
Scope of delivery	Incl. converter for connection to the 230-V mains voltage
Weight	0.428 kg
D licence plate	No
Conformance	CE, UKCA


**CIRCLE MINI LED surface-mounted spot, with all-round light gap,
 on/off switchable**

Article no. 12062173

Lighting technology	
Colour temperature	3.000 K
Light colour	white
Light output	Direct
Luminous flux	410 lm
System efficiency	66 lm/W
Colour rendering	CRI > 80
Reflector	High-gloss
Reflector colour	silver
Beam angle	34°
Light sharing	Symmetric
Adjustable color temperature	No

Operating technology of the luminaire	
System output	6.2 W
Voltage type	AC
AC nominal voltage max	220 V
Frequency max	50 Hz
Lamp	LED
Lamp holder	Without fitting
Protection class	I
Degree of protection	IP20
Dimmable	No
Control	on/off
Bulb change possible	The light source of this luminaire may only be replaced by the manufacturer or a service technician commissioned by him or a similarly qualified person.
Energy efficiency class	not required

Mounting technology	
Mounting method	Surface mounting
Place of installation	Ceiling-mounted
Adjustability	Rotatable and adjustable head
Swivel angle	90°
Rotation angle	355°
Head adjustable angle	90°
Material cover	Glass transparent

Packing data	
Gross weight	0.5 kg
Length of packaging	110 mm
Packaging width	110 mm
Packaging height	120 mm
Disposal at end of life	This product must not be disposed of with household waste. You are obliged, to dispose of such electrical waste separately. By disposing of electrical waste and other old or defective electronics separately, you support recycling or other forms of re-use. In that way you help to take care and to avoid that harmful substances get into the environment.