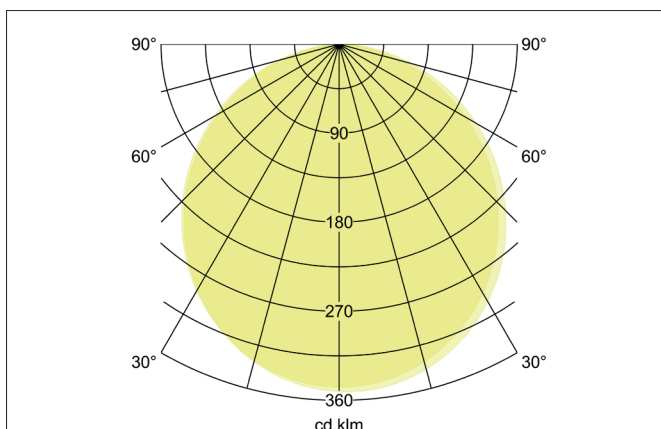
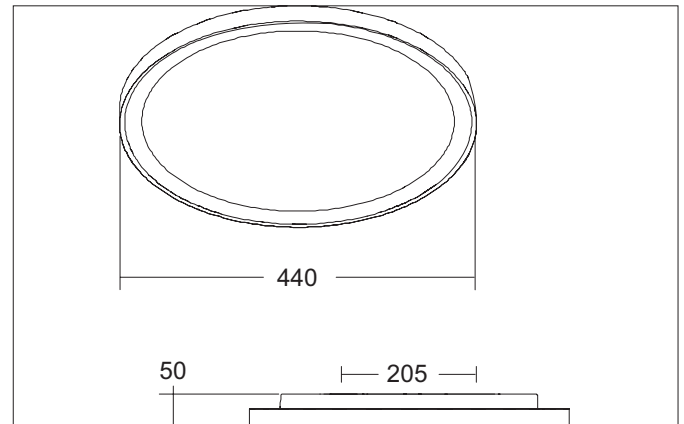



**SUNNY MIDI LED ceiling surface-mounted downlight, trailing-edge phase dimmable**

Article no. 12209073


**Tender**

LED ceiling surface-mounted downlight, trailing-edge phase dimmable, Round. Luminaire diameter 440.0 mm, Height 50.0 mm Weight 2.342 kg, with rotationssymmetrical, deep, wide distributed light intensity. Cover plastic, opal. Luminous flux 3.750 - 4.165 lm, UGR < 25, Power 1 x 40 W, Light colour warm white to daylight white, Correlated color temperature (CCT) 3.000 - 6.000 K, Colour rendering index CRI > 80, Rated life time L70/B50 at 25 °C: 50.000 h, Housing material: Aluminium / Steel / Polystyrene, Colour: white matt, Permissible ambient temperature (ta): -20 °C - +25 °C, Protection class (EN 61140): I, Degree of protection (DIN EN 60529): IP20, shock resistance according to IEC62262: IK04. With electronic driver, Trailing-edge phase dimmable.

**Product Benefits**

- Standard indirect component in white, can be retrofitted individually as accessories available in amber, blue and red.
- Easy installation due to bayonet mounting and arrestor cable.
- Luminaire can be easily removed without screws thanks to separate mounting plate.
- Three sizes: 330 mm, 440 mm or 550 mm.
- Three on-site adjustable light colors: 3,000 K, 4,000 K and 6,000 K.
- As an additional function: light color adjustable on the switch side via bottom switch function.
- Also available as pendant version (accessory: pendant set 1,500 mm).
- Dimmable as standard via phase cut-off or DALI (size: 440 mm and 550mm).


**SUNNY MIDI LED ceiling surface-mounted downlight, trailing-edge phase dimmable**

Article no. 12209073

| Article data      |  |
|-------------------|--|
| Article no.       | 12209073   |
| GTIN              | 4251433930440  |
| Series name       | SUNNY MIDI   |
| Short description | LED ceiling surface-mounted downlight, trailing-edge phase dimmable  |
| Material          | Aluminium / Steel / Polystyrene  |
| Colour            | white matt   |
| Type of surface   | Matt   |
| Shape             | Round  |
| Outer diameter    | 440 mm   |
| Hight             | 50 mm  |
| Scope of delivery | incl. converter for connection to 230 V mains voltage, dimmable and incl. adjustable color temperature to 3000 K, 4000 K or 6000 K (switching on the housing or via wall-mounted switch via bottom switch function). Optional accessories: Color ring set for the indirect part in the colors red, blue and amber, as well as a pendulum set 1,500 mm. |
| Weight            | 2.342 kg   |
| D licence plate   | No   |
| Conformance       | CE, UKCA   |

| Lighting technology          |                             |
|------------------------------|-----------------------------|
| Colour temperature           | 3.000 K / 4.000 K / 6.000 K |
| Light colour                 | white                       |
| Color Temperature 1          | 3,000 K                     |
| Color Temperature 2          | 4,000 K                     |
| Color Temperature 3          | 6,000 K                     |
| Light output                 | Direct/Indirect             |
| Luminous flux                | 3,750 - 4,165 lm            |
| Luminous flux 1              | 3,750 lm                    |
| Luminous flux 2              | 4,165 lm                    |
| Luminous flux 3              | 3,750 lm                    |
| System efficiency            | 104 lm/W                    |
| Colour rendering             | CRI > 80                    |
| Reflector                    | Without                     |
| Beam angle                   | 110°                        |
| Glare evaluation             | UGR < 25                    |
| Light sharing                | Symmetric                   |
| Adjustable color temperature | Stages                      |

| Operating technology of the luminaire |  |
|---------------------------------------|--|
| System output                         | 40 W   |
| Voltage type                          | AC   |
| AC nominal voltage max                | 230 V  |
| Frequency max                         | 50 Hz  |
| Lamp                                  | LED  |
| Lamp holder                           | Without fitting  |
| Protection class                      | I  |
| Degree of protection                  | IP20   |
| Dimmable                              | Yes  |
| Control                               | Trailing-edge phase  |
| Bulb change possible                  | The light source of this luminaire may only be replaced by the manufacturer or a service technician commissioned by him or a similarly qualified person. |
| Rated life time L70/B50 at 25 °C      | 50,000 h   |
| Energy efficiency class               | not required   |


**SUNNY MIDI LED ceiling surface-mounted downlight, trailing-edge phase dimmable**

Article no. 12209073

| Mounting technology   |                  |
|-----------------------|------------------|
| Mounting method       | Surface mounting |
| Place of installation | Ceiling-mounted  |
| Adjustability         | Not adjustable   |
| Impact resistance     | IK04             |
| Material cover        | Plastic, opal    |

| Packing data            |   |
|-------------------------|---|
| Gross weight            | 2.719 kg  |
| Length of packaging     | 480 mm  |
| Packaging width         | 475 mm  |
| Packaging height        | 55 mm   |
| Disposal at end of life | This product must not be disposed of with household waste. You are obliged, to dispose of such electrical waste separately.<br>By disposing of electrical waste and other old or defective electronics separately, you support recycling or other forms of re-use. In that way you help to take care and to avoid that harmful substances get into the environment. |

| Optional accessories   |   |
|--|---|
| Article no.: 81020906<br>Color ring set for SUNNY surface-mounted luminaire            | <a href="https://www.brumberg.com/fileadmin/products/Datenblatt_81020906_2021_DE.pdf">https://www.brumberg.com/fileadmin/products/Datenblatt_81020906_2021_DE.pdf</a>                               |
| Article no.: 81020908<br>Color ring set for SUNNY surface-mounted luminaire            | <a href="https://www.brumberg.com/fileadmin/products/Datenblatt_81020908_2021_DE.pdf">https://www.brumberg.com/fileadmin/products/Datenblatt_81020908_2021_DE.pdf</a>                               |
| Article no.: 81020909<br>Color ring set for SUNNY surface-mounted luminaire            | <a href="https://www.brumberg.com/fileadmin/products/Datenblatt_81020909_2021_DE.pdf">https://www.brumberg.com/fileadmin/products/Datenblatt_81020909_2021_DE.pdf</a>                               |
| Article no.: 81018070<br>Pendant set for surface-mounted downlight 12208073 / 12209073 | Dimensions: 150 mm x 26 mm<br><a href="https://www.brumberg.com/fileadmin/products/Datenblatt_81018070_2021_DE.pdf">https://www.brumberg.com/fileadmin/products/Datenblatt_81018070_2021_DE.pdf</a> |
| Article no.: 81018080<br>Pendant set for surface-mounted downlight 12208073 / 12209073 | Dimensions: 150 mm x 26 mm<br><a href="https://www.brumberg.com/fileadmin/products/Datenblatt_81018080_2021_DE.pdf">https://www.brumberg.com/fileadmin/products/Datenblatt_81018080_2021_DE.pdf</a> |