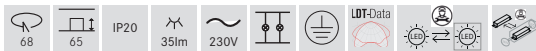
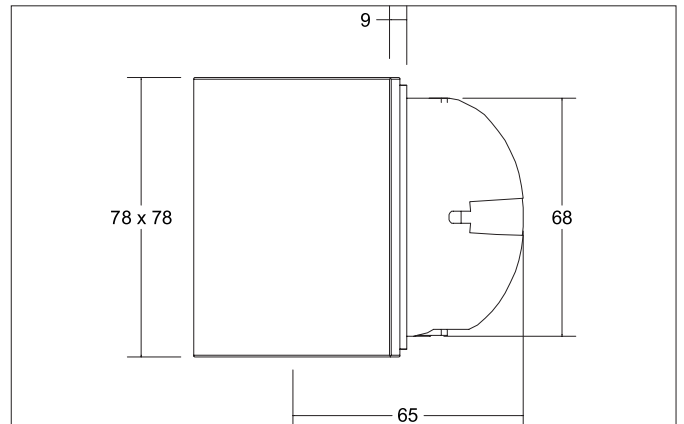
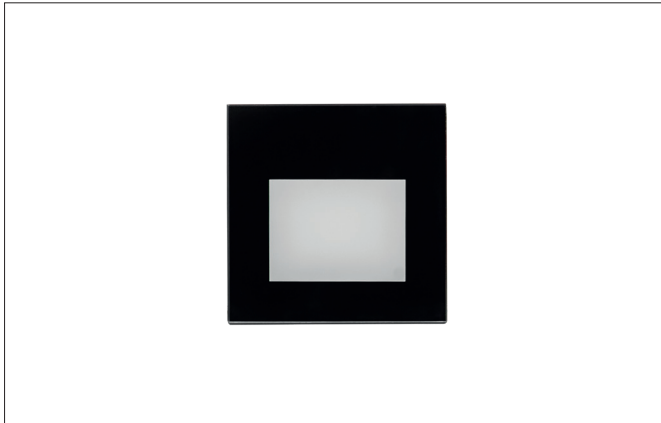




WALL KIT68-S LED wall recessed light, for device socket

Article no. 10159083



Tender

LED wall recessed light, for device socket, Square. Ceiling cut-out \varnothing 68 mm, Installation depth 65 mm, Length 78 mm, Width 78 mm, Weight 0,177 kg, asymmetric Cover glass opal Luminous flux 35 lm, Power 1 x 1,5 W, Light colour warm white, Correlated color temperature (CCT) 3.000 K, Colour rendering index CRI > 90, Rated life time L70/B50 at 25 °C: 50.000 h, Housing material: Aluminium / Steel / Glass/ Plastic, Colour: black, Permissible ambient temperature (ta): -20 °C up to +25 °C, Protection class (EN 61140): I, Degree of protection (DIN EN 60529): IP20. With electronic driver, on/off switchable.

Product Benefits

- WALL KIT68 is ideally suited, for example, for installation in Kaiser device boxes 9064-02, 9264-12, HWD30 / 9464-50, 9464-05 and any deep appliance junction box with a screw spacing of 60 mm.
- The 500 mA switchable converter is included in the scope of delivery and fits into the Kaiser appliance boxes mentioned.
- When installed in appliance boxes for cut-out dimensions of 68 mm, the luminaire in can be used in the reduction rings according to the accessories list.
- Installation possible in airtight and spatially restricted installation situations.
- If required, all 8 covers of the WALL KIT68 are interchangeable.
- interchangeable. The respective covers are available individually.


WALL KIT68-S LED wall recessed light, for device socket

Article no. 10159083

| Article data | |
|--------------------|--|
| Article no. | 10159083 |
| GTIN | 4251433927082 |
| Series name | WALL KIT68-S |
| Short description | LED wall recessed light, for device socket |
| Material | Aluminium / Steel / Glass/ Plastic |
| Colour | black |
| Type of surface | Glossy |
| Shape | Square |
| Length | 78 mm |
| Width | 78 mm |
| Built-in diameter | 68 mm |
| Installation depth | 65 mm |
| Hight | 9 mm |
| Scope of delivery | With cover glass |
| Weight | 0.177 kg |
| D licence plate | No |
| Conformance | CE, UKCA |

| Lighting technology | |
|------------------------------|------------|
| Colour temperature | 3.000 K |
| Luminous flux | 35 lm |
| System efficiency | 23 lm/W |
| Colour rendering | CRI > 90 |
| Reflector | Without |
| Light sharing | Asymmetric |
| Adjustable color temperature | No |

| Operating technology of the luminaire | |
|---------------------------------------|--|
| System output | 1.5 W |
| Voltage type | AC |
| AC nominal voltage max | 230 V |
| Frequency max | 50 Hz |
| Lamp | LED |
| Lamp holder | Without fitting |
| Protection class | I |
| Degree of protection | IP20 |
| Dimmable | No |
| Control | on/off |
| Bulb change possible | The light source of this luminaire may only be replaced by the manufacturer or a service technician commissioned by him or a similarly qualified person. |
| Rated life time L70/B50 at 25 °C | 50,000 h |
| Energy efficiency class | not required |

| Mounting technology | |
|-----------------------|-------------------|
| Mounting method | Recessed mounting |
| Place of installation | Wall-mounted |
| Adjustability | Not adjustable |
| Material cover | Glass opal |

**WALL KIT68-S LED wall recessed light, for device socket**
Article no. 10159083

| Packing data | |
|-------------------------|--|
| Gross weight | 0.218 kg |
| Length of packaging | 90 mm |
| Packaging width | 55 mm |
| Packaging height | 109 mm |
| Disposal at end of life | <p>This product must not be disposed of with household waste. You are obliged, to dispose of such electrical waste separately.</p> <p>By disposing of electrical waste and other old or defective electronics separately, you support recycling or other forms of re-use. In that way you help to take care and to avoid that harmful substances get into the environment.</p> |