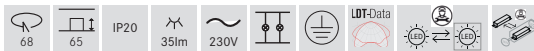
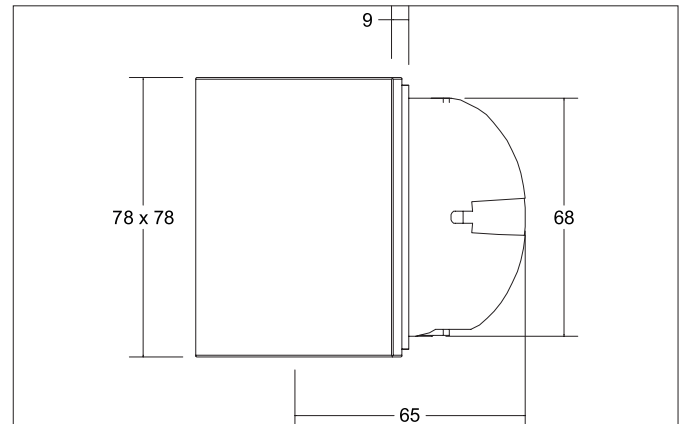
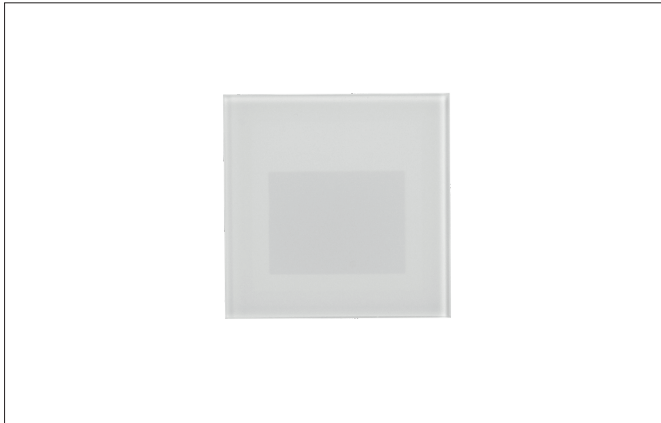




WALL KIT68-S LED wall recessed light, for device socket

Article no. 10159073



Tender

LED wall recessed light, for device socket, Square. Ceiling cut-out Ø 68 mm, Installation depth 65 mm, Length 78 mm, Width 78 mm, Weight 0,164 kg, asymmetric Cover glass opal Luminous flux 35 lm, Power 1 x 1,5 W, Light colour warm white, Correlated color temperature (CCT) 3.000 K, Colour rendering index CRI > 90, Rated life time L70/B50 at 25 °C: 50.000 h, Housing material: Aluminium / Steel / Glass/ Plastic, Colour: white, Permissible ambient temperature (ta): -20 °C up to +25 °C, Protection class (EN 61140): I, Degree of protection (DIN EN 60529): IP20. With electronic driver, on/off switchable.

Product Benefits

- WALL KIT68 is ideally suited, for example, for installation in Kaiser device boxes 9064-02, 9264-12, HWD30 / 9464-50, 9464-05 and any deep appliance junction box with a screw spacing of 60 mm.
- The 500 mA switchable converter is included in the scope of delivery and fits into the Kaiser appliance boxes mentioned.
- When installed in appliance boxes for cut-out dimensions of 68 mm, the luminaire in can be used in the reduction rings according to the accessories list.
- Installation possible in airtight and spatially restricted installation situations.
- If required, all 8 covers of the WALL KIT68 are interchangeable. The respective covers are available individually.

**WALL KIT68-S LED wall recessed light, for device socket**

Article no. 10159073

Article data	
Article no.	10159073
GTIN	4251433925668
Series name	WALL KIT68-S
Short description	LED wall recessed light, for device socket
Material	Aluminium / Steel / Glass/ Plastic
Colour	white
Type of surface	Glossy
Shape	Square
Length	78 mm
Width	78 mm
Built-in diameter	68 mm
Installation depth	65 mm
Hight	9 mm
Scope of delivery	With cover glass
Weight	0.164 kg
D licence plate	No
Conformance	CE, UKCA

Lighting technology	
Colour temperature	3.000 K
Luminous flux	35 lm
System efficiency	23 lm/W
Colour rendering	CRI > 90
Reflector	Without
Light sharing	Asymmetric
Adjustable color temperature	No

Operating technology of the luminaire	
System output	1.5 W
Voltage type	AC
AC nominal voltage max	230 V
Frequency max	50 Hz
Lamp	LED
Lamp holder	Without fitting
Protection class	I
Degree of protection	IP20
Dimmable	No
Control	on/off
Bulb change possible	The light source of this luminaire may only be replaced by the manufacturer or a service technician commissioned by him or a similarly qualified person.
Rated life time L70/B50 at 25 °C	50,000 h
Energy efficiency class	not required

Mounting technology	
Mounting method	Recessed mounting
Place of installation	Wall-mounted
Adjustability	Not adjustable
Material cover	Glass opal

**WALL KIT68-S LED wall recessed light, for device socket**
Article no. 10159073

Packing data	
Gross weight	0.195 kg
Length of packaging	90 mm
Packaging width	55 mm
Packaging height	109 mm
Disposal at end of life	<p>This product must not be disposed of with household waste. You are obliged, to dispose of such electrical waste separately.</p> <p>By disposing of electrical waste and other old or defective electronics separately, you support recycling or other forms of re-use. In that way you help to take care and to avoid that harmful substances get into the environment.</p>