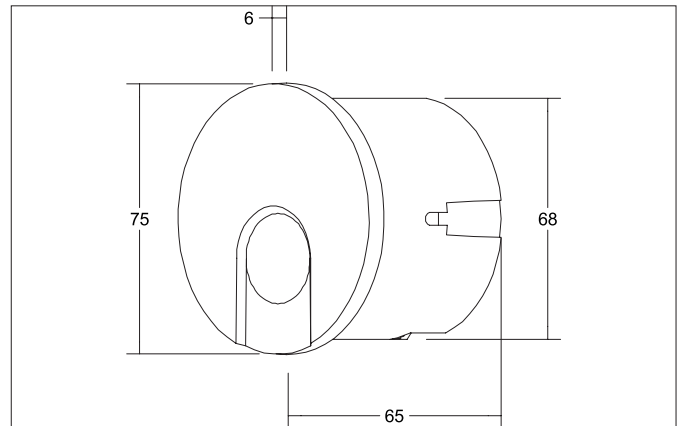



WALL KIT68-R LED wall recessed light, for device socket
 Article no. 10156073

Tender

LED wall recessed light, for device socket, Round. Ceiling cut-out \varnothing 68 mm, Installation depth 65 mm, Outer diameter 75 mm, Weight 0,152 kg, asymmetric Luminous flux 70 lm, Power 1 x 1,5 W, Light colour warm white, Correlated color temperature (CCT) 3.000 K, Colour rendering index CRI > 90, Rated life time L70/B50 at 25 °C: 50.000 h, Housing material: Aluminium / Steel / Plastic, Colour: white matt, Permissible ambient temperature (ta): -20 °C up to +25 °C, Protection class (EN 61140): I, Degree of protection (DIN EN 60529): IP20. With electronic driver, on/off switchable.

Product Benefits

- WALL KIT68 is ideally suited, for example, for installation in Kaiser device boxes 9064-02, 9264-12, HWD30 / 9464-50, 9464-05 and any deep appliance junction box with a screw spacing of 60 mm.
- The 500 mA switchable converter is included in the scope of delivery and fits into the Kaiser appliance boxes mentioned.
- When installed in appliance boxes for cut-out dimensions of 68 mm, the luminaire must be mounted in can be used in the reduction rings according to the accessories list.
- Installation possible in airtight and spatially restricted installation situations.
- If required, all 8 covers of the WALL KIT68 are interchangeable. The respective covers are available individually.


WALL KIT68-R LED wall recessed light, for device socket

Article no. 10156073

Article data	
Article no.	10156073
GTIN	4251433925637
Series name	WALL KIT68-R
Short description	LED wall recessed light, for device socket
Material	Aluminium / Steel / Plastic
Colour	white matt
Type of surface	Matt
Shape	Round
Outer diameter	75 mm
Built-in diameter	68 mm
Installation depth	65 mm
Hight	6 mm
Weight	0.152 kg
D licence plate	No
Conformance	CE, UKCA

Lighting technology	
Colour temperature	3.000 K
Luminous flux	70 lm
System efficiency	47 lm/W
Colour rendering	CRI > 90
Reflector	Without
Light sharing	Asymmetric
Adjustable color temperature	No

Operating technology of the luminaire	
System output	1.5 W
Voltage type	AC
AC nominal voltage max	230 V
Frequency max	50 Hz
Lamp	LED
Lamp holder	Without fitting
Protection class	I
Degree of protection	IP20
Dimmable	No
Control	on/off
Bulb change possible	The light source of this luminaire may only be replaced by the manufacturer or a service technician commissioned by him or a similarly qualified person.
Rated life time L70/B50 at 25 °C	50,000 h
Energy efficiency class	not required

Mounting technology	
Mounting method	Recessed mounting
Place of installation	Wall-mounted
Adjustability	Not adjustable
Material cover	Without cover

Packing data	
Gross weight	0.194 kg
Length of packaging	90 mm
Packaging width	55 mm
Packaging hight	109 mm
Disposal at end of life	This product must not be disposed of with household waste. You are obliged, to dispose of such electrical waste separately. By disposing of electrical waste and other old or defective electronics separately, you support recycling or other forms of re-use. In that way you help to take care and to avoid that harmful substances get into the environment.



WALL KIT68-R LED wall recessed light, for device socket
Article no. 10156073