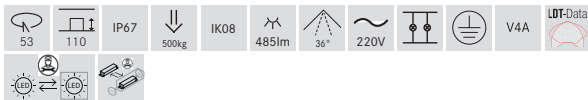
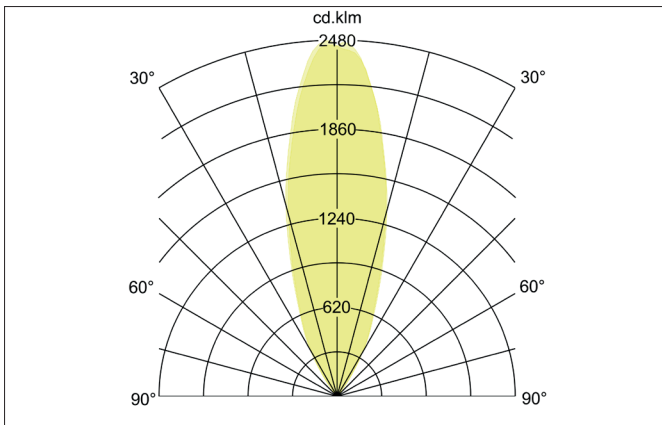
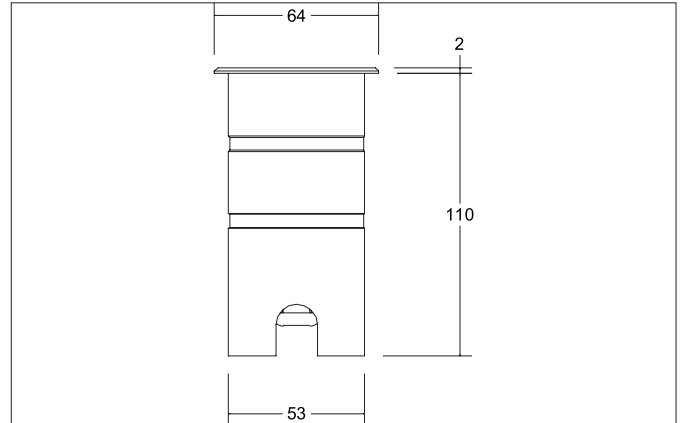


BOLED LED-floor recessed light, V4A, IP67
 Article no. 14052223



Tender
 LED-floor recessed light, V4A, IP67, Round. Ceiling cut-out Ø 53 mm, Installation depth 110 mm, Outer diameter 65 mm, Weight 0,507 kg, with rotationssymmetrical, deep, wide distributed light intensity. Cover glass transparent Luminous flux 485 lm, Power 1 x 6 W, Light colour warm white, Correlated color temperature (CCT) 3.000 K, Colour rendering index CRI > 80, Housing material: Stainless steel V4A / Aluminium / Glass, Colour: stainless steel matt, Permissible ambient temperature (ta): -20 °C up to +25 °C, Protection class (EN 61140): I, Degree of protection (DIN EN 60529): IP67, shock resistance according to IEC62262: IK08 .With electronic driver, on/off switchable.

Article data	
Article no.	14052223
GTIN	4251433926238
Series name	BOLED
Short description	LED-floor recessed light, V4A, IP67
Material	Stainless steel V4A / Aluminium / Glass
Colour	stainless steel matt
Shape	Round
Outer diameter	65 mm
Built-in diameter	53 mm
Installation depth	110 mm
Scope of delivery	incl. converter for connection to 230 V mains voltage, switchable, 1,000 mm connection cable with aquastop
Weight	0.507 kg
Conformance	CE, UKCA


BOLED LED-floor recessed light, V4A, IP67

Article no. 14052223

Lighting technology	
Colour temperature	3.000 K
Light colour	white
Luminous flux	485 lm
System efficiency	81 lm/W
Colour rendering	CRI > 80
Reflector	High-gloss
Beam angle	36°
Light sharing	Symmetric
Adjustable color temperature	No

Operating technology of the luminaire	
System output	6 W
Voltage type	AC
AC nominal voltage max	230 V
Frequency max	50 Hz
Lamp	LED
Lamp holder	Without fitting
Protection class	I
Degree of protection	IP67
Control	on/off
Bulb change possible	The light source of this luminaire may only be replaced by the manufacturer or a service technician commissioned by him or a similarly qualified person.
Energy efficiency class	not required

Mounting technology	
Mounting method	Recessed mounting
Place of installation	Floor-mounted
Adjustability	Not adjustable
Max. load	500 kg
Over rollable	No
Impact resistance	IK08
Further references	V4A
Material cover	Glass transparent

Packing data	
Gross weight	0.556 kg
Length of packaging	85 mm
Packaging width	85 mm
Packaging height	120 mm
Disposal at end of life	This product must not be disposed of with household waste. You are obliged, to dispose of such electrical waste separately. By disposing of electrical waste and other old or defective electronics separately, you support recycling or other forms of re-use. In that way you help to take care and to avoid that harmful substances get into the environment.