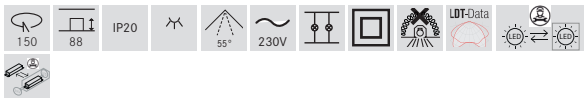
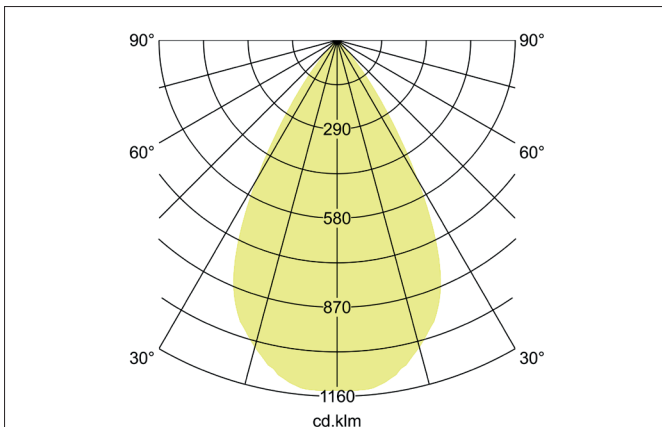
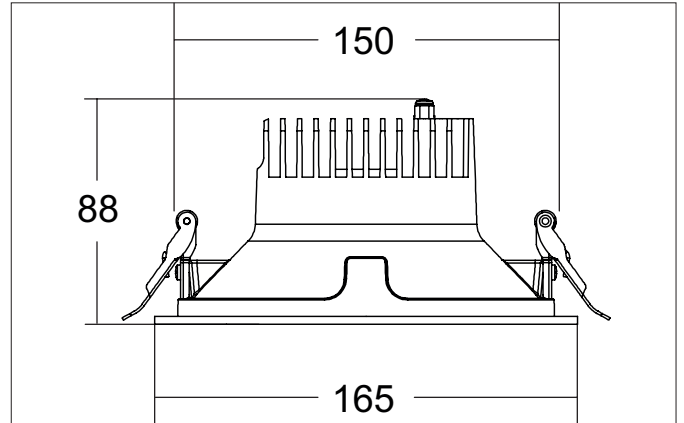




**APOLLO MIDI LED downlight, round, on/off switchable**  
 Article no. 40613174



**Tender**  
 LED downlight, round, on/off switchable, Round. Toolless ceiling installation by installation springs. Ceiling cut-out Ø 150 mm, Installation depth 88 mm, Outer diameter 165 mm, Weight 0,44 kg, Reflector silver with rotationssymmetrical, deep, wide distributed light intensity. Cover plastic, transparent Luminous flux 1.915 lm, UGR < 19, Power 1 x 14,5 W, Light colour neutral white, Correlated color temperature (CCT) 4.000 K, Colour rendering index CRI > 90, Rated life time L80/B10 at 25 °C: 50.000 h, Rated life time L80/B50 at 25 °C: 50.000 h, Housing material: Aluminium / Glass / Plastic, Colour: white structure, Permissible ambient temperature (ta): -20 °C up to +25 °C, Protection class (EN 61140): II, Degree of protection (DIN EN 60529): IP20. With electronic driver, on/off switchable.

| Article data       |                                         |
|--------------------|-----------------------------------------|
| Article no.        | 40613174                                |
| GTIN               | 4251433980230                           |
| Series name        | APOLLO MIDI                             |
| Short description  | LED downlight, round, on/off switchable |
| Material           | Aluminium / Glass / Plastic             |
| Colour             | white structure                         |
| Type of surface    | Structure                               |
| Shape              | Round                                   |
| Outer diameter     | 165 mm                                  |
| Built-in diameter  | 150 mm                                  |
| Installation depth | 88 mm                                   |
| Weight             | 0.44 kg                                 |
| D licence plate    | No                                      |
| Conformance        | CE, UKCA                                |


**APOLLO MIDI LED downlight, round, on/off switchable**

Article no. 40613174

| Lighting technology          |            |
|------------------------------|------------|
| Colour temperature           | 4.000 K    |
| Light colour                 | white      |
| Light output                 | Direct     |
| Luminous flux                | 1,915 lm   |
| System efficiency            | 132 lm/W   |
| Colour rendering             | CRI > 90   |
| Reflector                    | High-gloss |
| Reflector colour             | silver     |
| Beam angle                   | 55°        |
| Glare evaluation             | UGR < 19   |
| Light sharing                | Symmetric  |
| Adjustable color temperature | No         |

| Operating technology of the luminaire |                                                                                                                                                          |
|---------------------------------------|----------------------------------------------------------------------------------------------------------------------------------------------------------|
| System output                         | 14.5 W                                                                                                                                                   |
| Voltage type                          | AC                                                                                                                                                       |
| AC nominal voltage max                | 230 V                                                                                                                                                    |
| Frequency max                         | 50 Hz                                                                                                                                                    |
| Lamp                                  | LED                                                                                                                                                      |
| Lamp holder                           | Without fitting                                                                                                                                          |
| Protection class                      | II                                                                                                                                                       |
| Degree of protection                  | IP20                                                                                                                                                     |
| Control                               | on/off                                                                                                                                                   |
| Bulb change possible                  | The light source of this luminaire may only be replaced by the manufacturer or a service technician commissioned by him or a similarly qualified person. |
| Rated life time L80/B10 at 25 °C      | 50.000 h                                                                                                                                                 |
| Rated life time L80/B50 at 25 °C      | 50.000 h                                                                                                                                                 |
| Energy efficiency class               | not required                                                                                                                                             |

| Mounting technology         |                                           |
|-----------------------------|-------------------------------------------|
| Mounting method             | Recessed mounting                         |
| Place of installation       | Ceiling-mounted                           |
| Adjustability               | Not adjustable                            |
| Further references          | No cover with thermal insulation material |
| Material cover              | Plastic, transparent                      |
| Suitable for through-wiring | No                                        |

| Packing data            |                                                                                                                                                                                                                                                                                                                                                                     |
|-------------------------|---------------------------------------------------------------------------------------------------------------------------------------------------------------------------------------------------------------------------------------------------------------------------------------------------------------------------------------------------------------------|
| Gross weight            | 0.491 kg                                                                                                                                                                                                                                                                                                                                                            |
| Length of packaging     | 165 mm                                                                                                                                                                                                                                                                                                                                                              |
| Packaging width         | 165 mm                                                                                                                                                                                                                                                                                                                                                              |
| Packaging height        | 80 mm                                                                                                                                                                                                                                                                                                                                                               |
| Disposal at end of life | This product must not be disposed of with household waste. You are obliged, to dispose of such electrical waste separately.<br>By disposing of electrical waste and other old or defective electronics separately, you support recycling or other forms of re-use. In that way you help to take care and to avoid that harmful substances get into the environment. |