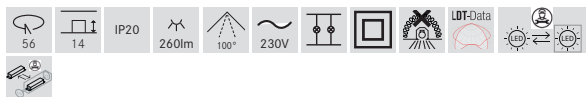
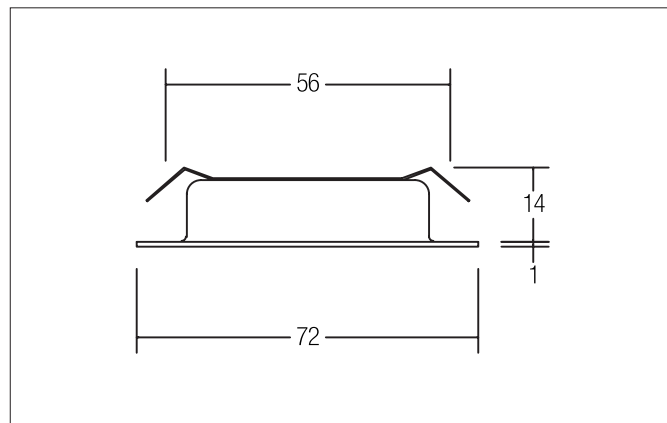




**BB17 LED recessed downlight set, on/off switchable**

Article no. 38370153



**Tender**

LED recessed downlight set, on/off switchable, Round. Toolless ceiling installation by leaf spring. Ceiling cut-out Ø 56 mm, Installation depth 14 mm, Outer diameter 72 mm, Weight 0,082 kg, with rotationssymmetrical, deep, wide distributed light intensity. Cover plastic, opal Luminous flux 260 lm, Power 1 x 3 W, System Efficiency 87 lm/W, Light colour warm white, Correlated color temperature (CCT) 3.000 K, Colour rendering index CRI > 80, Rated life time L80/B20 at 25 °C: 30.000 h, Housing material: Steel / Plastic, Colour: nickel matt, Permissible ambient temperature (ta): -20 °C up to +25 °C, Protection class (EN 61140): II, Degree of protection (DIN EN 60529): IP20. With electronic driver, on/off switchable.


**BB17 LED recessed downlight set, on/off switchable**

Article no. 38370153

Article data	
Article no.	38370153
GTIN	4251433917120
Series name	BB17
Short description	LED recessed downlight set, on/off switchable
Material	Steel / Plastic
Colour	nickel matt
Type of surface	Matt
Shape	Round
Outer diameter	72 mm
Built-in diameter min.	56 mm
Built-in diameter max.	56 mm
Installation depth	14 mm
Hight	1 mm
Scope of delivery	Incl. 900 mm connecting cable between the converter and the lamp
Weight	0.082 kg
D licence plate	No
Conformance	CE, UKCA

Lighting technology	
Colour temperature	3.000 K
Light colour	white
Light output	Direct
Luminous flux	260 lm
System efficiency	87 lm/W
Colour rendering	CRI > 80
Reflector	High-gloss
Beam angle	100°
Light sharing	Symmetric
Adjustable color temperature	No

Operating technology of the luminaire	
Outer diameter	72 mm
Power	3 W
Voltage type	DC
Current	350 mA
Lamp	LED not changeable
Protection class	III
Degree of protection	IP20

Operating technology of driver	
Article No. of used driver	17662010
Width	35 mm
Hight	21 mm
AC nominal voltage min	90 V
AC nominal voltage max	264 V
Frequency max	63 Hz
Dimmable	No
Control	on/off
Starting current	40 A, 50 µs
Power	1 W
Power	7.2 W
Output current	350 mA
Degree of protection	IP20
Protection class	II
Flicker-free	Yes


**BB17 LED recessed downlight set, on/off switchable**

Article no. 38370153

Mounting technology	
Mounting method	Recessed mounting
Place of installation	Ceiling-mounted
Adjustability	Not adjustable
Further references	No cover with thermal insulation material
Cover	Plastic, opal

Packing data	
Gross weight	0.108 kg
Length of packaging	85 mm
Packaging width	43 mm
Packaging height	84 mm
Disposal at end of life	<p>This product must not be disposed of with household waste. You are obliged, to dispose of such electrical waste separately.</p> <p>By disposing of electrical waste and other old or defective electronics separately, you support recycling or other forms of re-use. In that way you help to take care and to avoid that harmful substances get into the environment.</p>

Optional accessories	
Article no.: 83330000	
Connection box 230 V AC, 3-pole	
Dimensions: 85 mm x 35 mm x 30 mm	
<a href="https://www.brumberg.com/fileadmin/products/Datenblatt_83330000_2021_DE.pdf">https://www.brumberg.com/fileadmin/products/Datenblatt_83330000_2021_DE.pdf</a>	