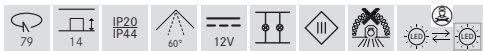
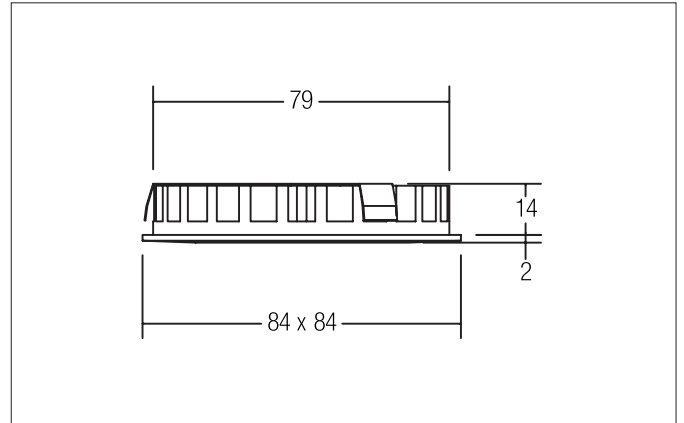




SINCINDA MAXI-S LED recessed downlight, IP44

Article no. 12130024



Tender

LED recessed downlight, IP44, Square. Toolless ceiling installation by leaf spring. Ceiling cut-out \varnothing 79 mm, Installation depth 14 mm, Length 84 mm, Width 84 mm, Weight 0,137 kg, with rotationssymmetrical, deep, wide distributed light intensity. Cover plastic, opal Power 1 x 6 W, Light colour neutral white, Correlated color temprature (CCT) 4.000 K, Colour rendering index CRI 85, Housing material: Die-cast aluminium / Plastic, Colour: chrome glossy, Permissible ambient temperature (ta): -20 °C up to +25 °C, Protection class (EN 61140): III, Degree of protection (DIN EN 60529): IP44. For connection to an external driver, which is not included in the scope of delivery of the luminaire. Depending on driver dimmable.

Product Benefits

- Round recessed downlight made of solid aluminum with polycarbonate cover.
- Protection class IP65 (for installation in closed ceilings).
- Simple and tool-free installation.
- CRI > 90.
- Low installation depth 35 mm, diameter 80 mm, Ceiling cut-out 68 mm.
- Maximum ceiling thickness 20 mm.
- Three surface finishes available.
- With integrated converter (DOB) for connection to 230 V mains voltage.
- Supplied with connection box for quick connection.
- Phase section dimmable.
- dim2warm version (3,000 K - 1,800 K): if the luminaire is dimmed dimmed, the color temperature is reduced.
- Also available in static 3,000 K.


SINCINDA MAXI-S LED recessed downlight, IP44

Article no. 12130024

| Article data | |
|------------------------|-------------------------------------|
| Article no. | 12130024 |
| GTIN | 4251433905899 |
| Series name | SINCINDA MAXI-S |
| Short description | LED recessed downlight, IP44 |
| Material | Die-cast aluminium / Plastic |
| Colour | chrome glossy |
| Type of surface | Glossy |
| Shape | Square |
| Length | 84 mm |
| Width | 84 mm |
| Built-in diameter min. | 79 mm |
| Built-in diameter max. | 79 mm |
| Installation depth | 14 mm |
| Hight | 2 mm |
| Scope of delivery | Including 2,000 mm connecting cable |
| Weight | 0.137 kg |
| D licence plate | No |
| Conformance | CE, UKCA |

| Lighting technology | |
|------------------------------|-----------|
| Colour temperature | 4.000 K |
| Light output | Direct |
| System efficiency | 6 lm/W |
| Colour rendering | CRI 85 |
| Reflector | Without |
| Beam angle | 60° |
| Light sharing | Symmetric |
| Adjustable color temperature | No |

| Operating technology of the luminaire | |
|---------------------------------------|--|
| Voltage type | DC |
| DC nominal voltage max | 12 V |
| Lamp | LED |
| Protection class | III |
| Protection class on the ceiling side | IP20 |
| Degree of protection | IP44 |
| Dimmable | Depending on type of control gear |
| Control | Depending on driver |
| Bulb change possible | The light source of this luminaire may only be replaced by the manufacturer or a service technician commissioned by him or a similarly qualified person. |
| Energy efficiency class | not required |

| Mounting technology | |
|-----------------------|---|
| Mounting method | Recessed mounting |
| Place of installation | Ceiling-mounted |
| Adjustability | Not adjustable |
| Further references | No cover with thermal insulation material |
| Cover | Plastic, opal |

**SINCINDA MAXI-S LED recessed downlight, IP44**

Article no. 12130024

| Packing data | |
|-------------------------|---|
| Gross weight | 0.165 kg |
| Length of packaging | 90 mm |
| Packaging width | 55 mm |
| Packaging height | 109 mm |
| Disposal at end of life | This product must not be disposed of with household waste. You are obliged, to dispose of such electrical waste separately. By disposing of electrical waste and other old or defective electronics separately, you support recycling or other forms of re-use. In that way you help to take care and to avoid that harmful substances get into the environment. |

| Required accessories | |
|---|--|
| Article no.: 17111000 LED power supply Power: 1 - 15 W Dimensions: 103 mm x 35.5 mm x 16.5 mm https://www.brumberg.com/fileadmin/products/Datenblatt_17111000_2021_DE.pdf | |
| Article no.: 17112000 LED power supply Power: 1 - 30 W Dimensions: 160 mm x 58 mm x 18 mm https://www.brumberg.com/fileadmin/products/Datenblatt_17112000_2021_DE.pdf | |

Optional accessories