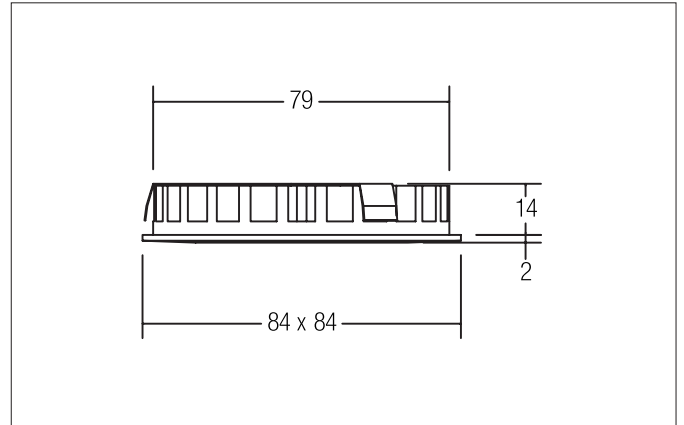




SINCINDA MAXI-S LED recessed downlight, IP44
Article no. 12130023



Tender

LED recessed downlight, IP44, Square. Toolless ceiling installation by leaf spring. Ceiling cut-out \varnothing 79 mm, Installation depth 14 mm, Length 84 mm, Width 84 mm, Weight 0,135 kg, with rotationssymmetrical, deep, wide distributed light intensity. Cover plastic, opal Luminous flux 435 lm, Power 1 x 6 W, Light colour warm white, Correlated color temperature (CCT) 2.900 K, Colour rendering index CRI 85, Housing material: Die-cast aluminium / Plastic, Colour: chrome glossy, Permissible ambient temperature (t_a): -20 °C up to +25 °C, Protection class (EN 61140): III, Degree of protection (DIN EN 60529): IP44. For connection to an external driver, which is not included in the scope of delivery of the luminaire. Depending on driver dimmable.

Product Benefits

- Square recessed downlight made of solid die-cast aluminum and plastic.
- Ceiling cut-out 79 mm, length 84 mm, width 84 mm, installation depth 14 mm.
- Protection class IP44 on the room side.
- Also available in round design.
- Connection cable 2,000 mm


SINCINDA MAXI-S LED recessed downlight, IP44

Article no. 12130023

Article data	
Article no.	12130023
GTIN	4250047731788
Series name	SINCINDA MAXI-S
Short description	LED recessed downlight, IP44
Material	Die-cast aluminium / Plastic
Colour	chrome glossy
Type of surface	Glossy
Shape	Square
Length	84 mm
Width	84 mm
Built-in diameter min.	79 mm
Built-in diameter max.	79 mm
Installation depth	14 mm
Hight	2 mm
Scope of delivery	Including 2,000 mm connecting cable
Weight	0.135 kg
D licence plate	No
Conformance	CE, UKCA

Lighting technology	
Colour temperature	2.900 K
Light colour	white
Light output	Direct
Luminous flux	435 lm
System efficiency	72 lm/W
Colour rendering	CRI 85
Reflector	Without
Beam angle	60°
Light sharing	Symmetric
Adjustable color temperature	No

Operating technology of the luminaire	
System output	6 W
Voltage type	DC
DC nominal voltage max	12 V
Lamp	LED
Protection class	III
Protection class on the ceiling side	IP20
Degree of protection	IP44
Dimmable	Depending on type of control gear
Control	Depending on driver
Bulb change possible	The light source of this luminaire may only be replaced by the manufacturer or a service technician commissioned by him or a similarly qualified person.
Energy efficiency class	not required

Mounting technology	
Mounting method	Recessed mounting
Place of installation	Ceiling-mounted
Adjustability	Not adjustable
Further references	No cover with thermal insulation material
Cover	Plastic, opal


SINCINDA MAXI-S LED recessed downlight, IP44

Article no. 12130023

Packing data	
Gross weight	0.165 kg
Length of packaging	90 mm
Packaging width	55 mm
Packaging height	109 mm
Disposal at end of life	<p>This product must not be disposed of with household waste. You are obliged, to dispose of such electrical waste separately.</p> <p>By disposing of electrical waste and other old or defective electronics separately, you support recycling or other forms of re-use. In that way you help to take care and to avoid that harmful substances get into the environment.</p>

Required accessories	
Article no.: 17111000	
LED power supply	
Power: 1 - 15 W	
Dimensions: 103 mm x 35.5 mm x 16.5 mm	
	https://www.brumberg.com/fileadmin/products/Datenblatt_17111000_2021_DE.pdf
Article no.: 17112000	
LED power supply	
Power: 1 - 30 W	
Dimensions: 160 mm x 58 mm x 18 mm	
	https://www.brumberg.com/fileadmin/products/Datenblatt_17112000_2021_DE.pdf

Optional accessories	
Article no.: 17107000	
6-way distributor 12 V DC for 17106/17110	
Leistung: 30 W	
	https://www.brumberg.com/fileadmin/products/Datenblatt_17107000_2021_DE.pdf
Article no.: 17108000	
Extension cable 12 V DC for 17106/17110/17107	
	https://www.brumberg.com/fileadmin/products/Datenblatt_17108000_2021_DE.pdf