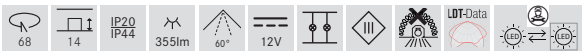
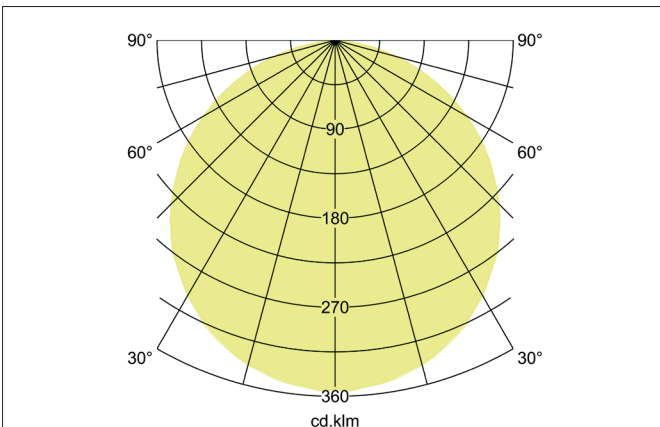
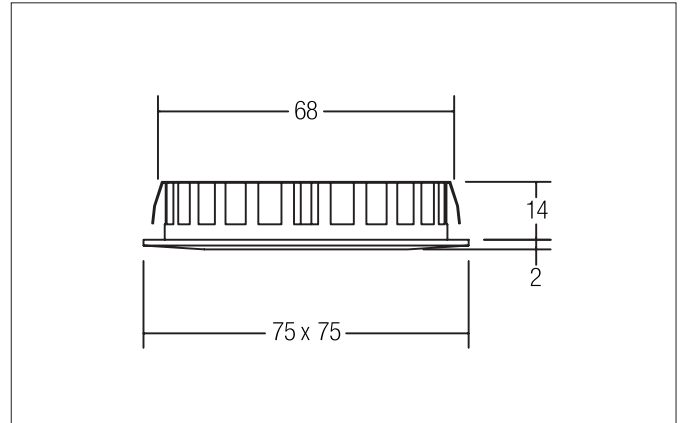




**SINCINDA MIDI-S LED recessed downlight, IP44**  
 Article no. 12128023



**Tender**  
 LED recessed downlight, IP44, Square. Toolless ceiling installation by leaf spring. Ceiling cut-out Ø 68 mm, Installation depth 14 mm, Length 75 mm, Width 75 mm, Weight 0,102 kg, with rotationssymmetrical, deep, wide distributed light intensity. Cover plastic, opal Luminous flux 355 lm, Power 1 x 4,5 W, Light colour warm white, Correlated color temprature (CCT) 2.900 K, Colour rendering index CRI > 85, Housing material: Die-cast aluminium / Plastic, Colour: chrome glossy, Permissible ambient temperature (ta): -20 °C up to +25 °C, Protection class (EN 61140): III, Degree of protection (DIN EN 60529): IP44. For connection to an external driver, which is not included in the scope of delivery of the luminaire. Depending on driver dimmable.

**Product Benefits**

- Square recessed downlight made of solid die-cast aluminum and plastic.
- Ceiling cut-out 68 mm, length 75 mm, width 75 mm, installation depth 14 mm.
- Protection class IP44 on the room side.
- Also available in round design.
- Connection cable 2,000 mm.


**SINCINDA MIDI-S LED recessed downlight, IP44**

Article no. 12128023

Article data	
Article no.	12128023
GTIN	4250047702122
Series name	SINCINDA MIDI-S
Short description	LED recessed downlight, IP44
Material	Die-cast aluminium / Plastic
Colour	chrome glossy
Type of surface	Glossy
Shape	Square
Length	75 mm
Width	75 mm
Built-in diameter min.	68 mm
Built-in diameter max.	68 mm
Installation depth	14 mm
Hight	2 mm
Scope of delivery	Including 2,000 mm connecting cable
Weight	0.102 kg
D licence plate	No
Conformance	CE, UKCA

Lighting technology	
Colour temperature	2.900 K
Light colour	white
Light output	Direct
Luminous flux	355 lm
System efficiency	79 lm/W
Colour rendering	CRI > 85
Reflector	Without
Beam angle	60°
Light sharing	Symmetric
Adjustable color temperature	No

Operating technology of the luminaire	
System output	4.5 W
Voltage type	DC
DC nominal voltage max	12 V
Lamp	LED
Protection class	III
Protection class on the ceiling side	IP20
Degree of protection	IP44
Dimmable	Depending on type of control gear
Control	Depending on driver
Bulb change possible	The light source of this luminaire may only be replaced by the manufacturer or a service technician commissioned by him or a similarly qualified person.
Energy efficiency class	not required

Mounting technology	
Mounting method	Recessed mounting
Place of installation	Ceiling-mounted
Adjustability	Not adjustable
Further references	No cover with thermal insulation material
Cover	Plastic, opal


**SINCINDA MIDI-S LED recessed downlight, IP44**

Article no. 12128023

Packing data	
Gross weight	0.121 kg
Length of packaging	85 mm
Packaging width	43 mm
Packaging height	84 mm
Disposal at end of life	<p>This product must not be disposed of with household waste. You are obliged, to dispose of such electrical waste separately.</p> <p>By disposing of electrical waste and other old or defective electronics separately, you support recycling or other forms of re-use. In that way you help to take care and to avoid that harmful substances get into the environment.</p>

Required accessories	
Article no.: 17111000	
LED power supply	
Power: 1 - 15 W	
Dimensions: 103 mm x 35.5 mm x 16.5 mm	
	<a href="https://www.brumberg.com/fileadmin/products/Datenblatt_17111000_2021_DE.pdf">https://www.brumberg.com/fileadmin/products/Datenblatt_17111000_2021_DE.pdf</a>
Article no.: 17112000	
LED power supply	
Power: 1 - 30 W	
Dimensions: 160 mm x 58 mm x 18 mm	
	<a href="https://www.brumberg.com/fileadmin/products/Datenblatt_17112000_2021_DE.pdf">https://www.brumberg.com/fileadmin/products/Datenblatt_17112000_2021_DE.pdf</a>

Optional accessories	
Article no.: 17107000	
6-way distributor 12 V DC for 17106/17110	
Leistung: 30 W	
	<a href="https://www.brumberg.com/fileadmin/products/Datenblatt_17107000_2021_DE.pdf">https://www.brumberg.com/fileadmin/products/Datenblatt_17107000_2021_DE.pdf</a>
Article no.: 17108000	
Extension cable 12 V DC for 17106/17110/17107	
	<a href="https://www.brumberg.com/fileadmin/products/Datenblatt_17108000_2021_DE.pdf">https://www.brumberg.com/fileadmin/products/Datenblatt_17108000_2021_DE.pdf</a>