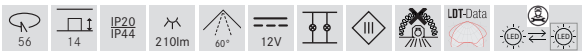
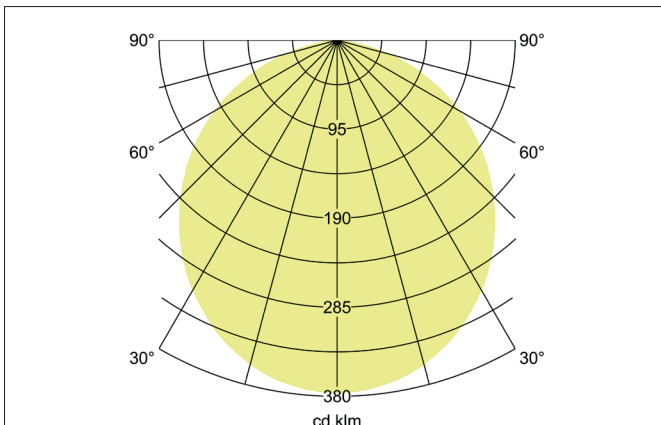
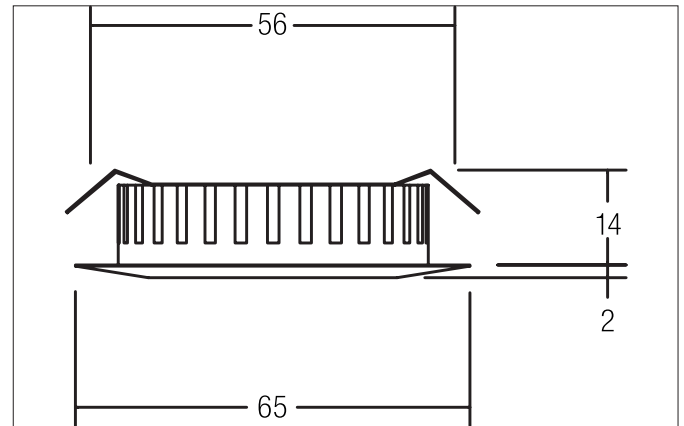



SINCINDA MINI-R LED recessed downlight, IP44

Article no. 12109153


Tender

LED recessed downlight, IP44, Round. Toolless ceiling installation by leaf spring. Ceiling cut-out \varnothing 56 mm, Installation depth 14 mm, Outer diameter 65 mm, Weight 0,102 kg, with rotationssymmetrical, deep, wide distributed light intensity. Cover plastic, opal Luminous flux 210 lm, Power 1 x 3,3 W, Light colour warm white, Correlated color temperature (CCT) 3.000 K, Colour rendering index CRI > 85, Housing material: Die-cast zinc / Plastic, Colour: nickel matt, Permissible ambient temperature (t_a): -20 °C up to +25 °C, Protection class (EN 61140): III, Degree of protection (DIN EN 60529): IP44. For connection to an external driver, which is not included in the scope of delivery of the luminaire. Depending on driver dimmable.

Product Benefits

- Round recessed downlight made of solid aluminum with polycarbonate cover.
- Protection class IP65 (for installation in closed ceilings).
- Simple and tool-free installation.
- CRI > 90.
- Low installation depth 35 mm, diameter 80 mm, Ceiling cut-out 68 mm.
- Maximum ceiling thickness 20 mm.
- Three surface finishes available.
- With integrated converter (DOB) for connection to 230 V mains voltage.
- Supplied with connection box for quick connection.
- Phase section dimmable.
- dim2warm version (3,000 K - 1,800 K): if the luminaire is dimmed dimmed, the color temperature is reduced.
- Also available in static 3,000 K.


SINCINDA MINI-R LED recessed downlight, IP44

Article no. 12109153

Article data	
Article no.	12109153
GTIN	4250047738367
Series name	SINCINDA MINI-R
Short description	LED recessed downlight, IP44
Material	Die-cast zinc / Plastic
Colour	nickel matt
Type of surface	Matt
Shape	Round
Outer diameter	65 mm
Built-in diameter min.	56 mm
Built-in diameter max.	56 mm
Installation depth	14 mm
Hight	2 mm
Scope of delivery	Including 2,000 mm connecting cable
Weight	0.102 kg
D licence plate	No
Conformance	CE, UKCA

Lighting technology	
Colour temperature	2.900 K
Light colour	white
Light output	Direct
Luminous flux	210 lm
System efficiency	64 lm/W
Colour rendering	CRI > 85
Reflector	Without
Beam angle	60°
Light sharing	Symmetric
Adjustable color temperature	No

Operating technology of the luminaire	
System output	3.3 W
Voltage type	DC
DC nominal voltage max	12 V
Lamp	LED
Protection class	III
Protection class on the ceiling side	IP20
Degree of protection	IP44
Dimmable	Depending on type of control gear
Control	Depending on driver
Bulb change possible	The light source of this luminaire may only be replaced by the manufacturer or a service technician commissioned by him or a similarly qualified person.
Energy efficiency class	not required

Mounting technology	
Mounting method	Recessed mounting
Place of installation	Ceiling-mounted
Adjustability	Not adjustable
Further references	No cover with thermal insulation material
Cover	Plastic, opal


SINCINDA MINI-R LED recessed downlight, IP44

Article no. 12109153

Packing data	
Gross weight	0.119 kg
Length of packaging	70 mm
Packaging width	47 mm
Packaging height	81 mm
Disposal at end of life	<p>This product must not be disposed of with household waste. You are obliged, to dispose of such electrical waste separately.</p> <p>By disposing of electrical waste and other old or defective electronics separately, you support recycling or other forms of re-use. In that way you help to take care and to avoid that harmful substances get into the environment.</p>

Required accessories	
Article no.: 17111000	LED power supply
Power: 1 - 15 W	
Dimensions: 103 mm x 35.5 mm x 16.5 mm	
https://www.brumberg.com/fileadmin/products/Datenblatt_17111000_2021_DE.pdf	
Article no.: 17112000	LED power supply
Power: 1 - 30 W	
Dimensions: 160 mm x 58 mm x 18 mm	
https://www.brumberg.com/fileadmin/products/Datenblatt_17112000_2021_DE.pdf	

Optional accessories	
Article no.: 81019150	Surface mounted housing for 12109...
Dimensions: 66 mm x 15 mm	
https://www.brumberg.com/fileadmin/products/Datenblatt_81019150_2021_DE.pdf	
Article no.: 17107000	6-way distributor 12 V DC for 17106/17110
Leistung: 30 W	
https://www.brumberg.com/fileadmin/products/Datenblatt_17107000_2021_DE.pdf	
Article no.: 17108000	Extension cable 12 V DC for 17106/17110/17107
https://www.brumberg.com/fileadmin/products/Datenblatt_17108000_2021_DE.pdf	