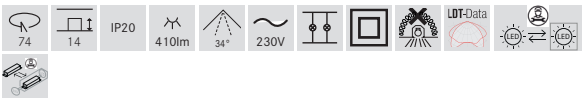
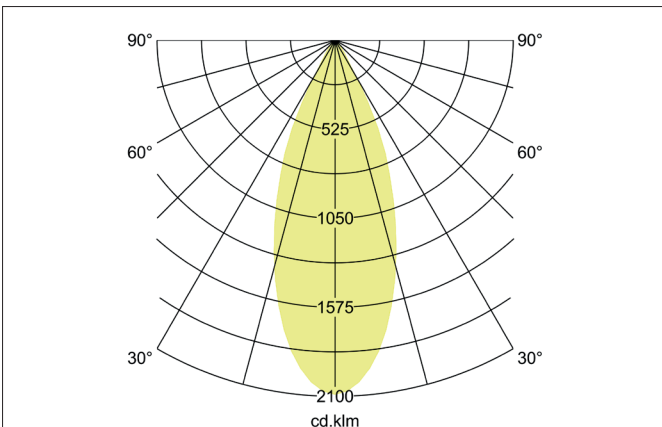
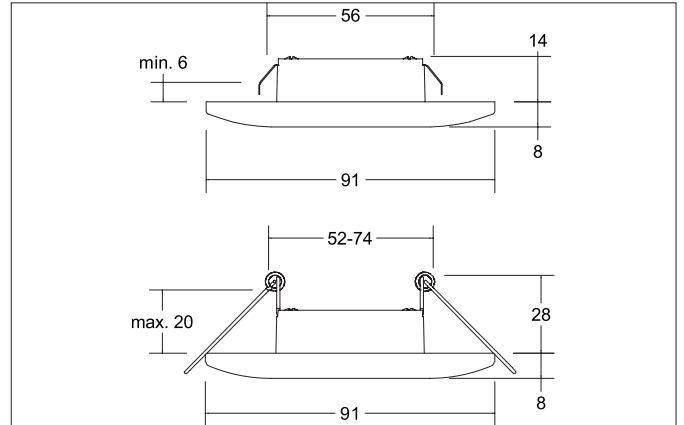




**ADAPT LED recessed downlight set, on/off switchable**  
 Article no. 38371643



**Tender**  
 LED recessed downlight set, on/off switchable, Round. Toolless ceiling installation by leaf spring. Ceiling cut-out Ø 74 mm, Installation depth 14 mm, Outer diameter 91 mm, Weight 0,173 kg, Reflector silver with rotationssymmetrical, deep, wide distributed light intensity. Cover plastic, transparent Luminous flux 410 lm, Power 1 x 3 W, Light colour warm white, Correlated color temperature (CCT) 3.000 K, Colour rendering index CRI > 80, Rated life time L70/B50 at 25 °C: 35.000 h, Housing material: Aluminium / Steel / Plastic, Colour: titanium matt, Permissible ambient temperature (ta): -20 °C up to +25 °C, Protection class (EN 61140): II, Degree of protection (DIN EN 60529): IP20. With electronic driver, on/off switchable.



## ADAPT LED recessed downlight set, on/off switchable

Article no. 38371643

### Product Benefits

- Round recessed downlight made of solid aluminum with polycarbonate cover.
- Protection class IP65 (for installation in closed ceilings).
- Simple and tool-free installation.
- CRI > 90.
- Low installation depth 35 mm, diameter 80 mm, Ceiling cut-out 68 mm.
- Maximum ceiling thickness 20 mm.
- Three surface finishes available.
- With integrated converter (DOB) for connection to 230 V mains voltage.
- Supplied with connection box for quick connection.
- Phase section dimmable.
- dim2warm version (3,000 K - 1,800 K): if the luminaire is dimmed, the color temperature is reduced.
- Also available in static 3,000 K.

Article data	
Article no.	38371643
GTIN	4251433930112
Series name	ADAPT
Short description	LED recessed downlight set, on/off switchable
Material	Aluminium / Steel / Plastic
Colour	titanium matt
Type of surface	Matt
Shape	Round
Outer diameter	91 mm
Built-in diameter min.	52 mm
Built-in diameter max.	74 mm
Installation depth	14 mm
Hight	8 mm
Scope of delivery	Incl. built-in leaf springs for 56 mm cut-out with installation depth of 14 mm and built-in leg springs for 52 - 74 mm cut-out (enclosed for quick exchange) with installation depth of 28 mm.
Weight	0.173 kg
D licence plate	No
Conformance	CE, UKCA

Lighting technology	
Colour temperature	3.000 K
Light output	Direct
Luminous flux	410 lm
System efficiency	137 lm/W
Colour rendering	CRI > 80
Reflector	Faceted
Reflector colour	silver
Beam angle	34°
Light sharing	Symmetric
Adjustable color temperature	No

Operating technology of the luminaire	
Power	3 W
Voltage type	DC
Current	350 mA
Lamp	LED
Protection class	III
Protection class on the ceiling side	IP20


**ADAPT LED recessed downlight set, on/off switchable**

Article no. 38371643

Operating technology of driver	
Article No. of used driver	17560000

Mounting technology	
Mounting method	Recessed mounting
Place of installation	Ceiling-mounted
Adjustability	Not adjustable
Further references	No cover with thermal insulation material
Material cover	Plastic, transparent

Packing data	
Gross weight	0.204 kg
Length of packaging	105 mm
Packaging width	90 mm
Packaging height	55 mm
Disposal at end of life	<p>This product must not be disposed of with household waste. You are obliged, to dispose of such electrical waste separately.</p> <p>By disposing of electrical waste and other old or defective electronics separately, you support recycling or other forms of re-use. In that way you help to take care and to avoid that harmful substances get into the environment.</p>

Optional accessories	
Article no.: 81271080 Interchangeable cover ADAPT	
Dimensions: 91 mm x 8 mm <a href="https://www.brumberg.com/fileadmin/products/Datenblatt_81271080_2021_DE.pdf">https://www.brumberg.com/fileadmin/products/Datenblatt_81271080_2021_DE.pdf</a>	
Article no.: 81271640 Interchangeable cover ADAPT	
Dimensions: 91 mm x 8 mm <a href="https://www.brumberg.com/fileadmin/products/Datenblatt_81271640_2021_DE.pdf">https://www.brumberg.com/fileadmin/products/Datenblatt_81271640_2021_DE.pdf</a>	
Article no.: 81271150 Interchangeable cover ADAPT	
Dimensions: 91 mm x 8 mm <a href="https://www.brumberg.com/fileadmin/products/Datenblatt_81271150_2021_DE.pdf">https://www.brumberg.com/fileadmin/products/Datenblatt_81271150_2021_DE.pdf</a>	
Article no.: 81271070 Interchangeable cover ADAPT	
Dimensions: 91 mm x 8 mm <a href="https://www.brumberg.com/fileadmin/products/Datenblatt_81271070_2021_DE.pdf">https://www.brumberg.com/fileadmin/products/Datenblatt_81271070_2021_DE.pdf</a>	
Article no.: 81271030 Interchangeable cover ADAPT	
Dimensions: 91 mm x 8 mm <a href="https://www.brumberg.com/fileadmin/products/Datenblatt_81271030_2021_DE.pdf">https://www.brumberg.com/fileadmin/products/Datenblatt_81271030_2021_DE.pdf</a>	