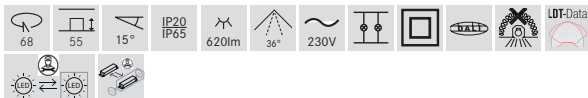
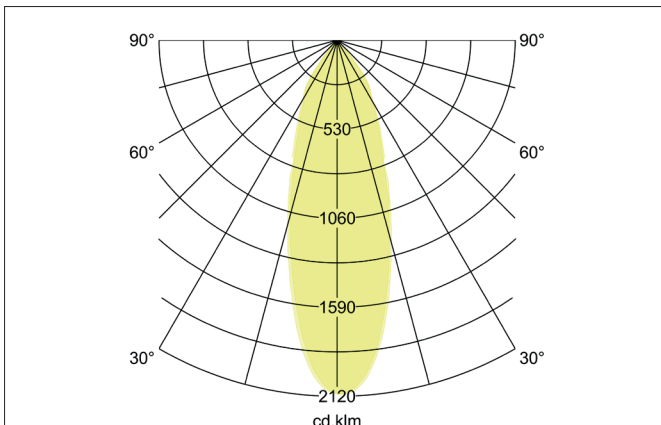
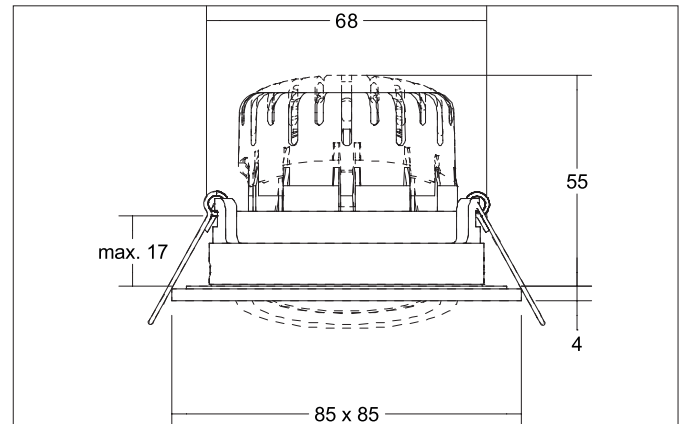




## BB25 LED recessed spot set, IP65, DALI dimmable incl. connection box

Article no. 41488153



### Tender

LED recessed spot set, IP65, DALI dimmable incl. connection box, Square. Toolless ceiling installation by installation springs. Ceiling cut-out Ø 68 mm, Installation depth 55 mm, Length 85 mm, Width 85 mm, Weight 0,306 kg, Reflector silver with rotationssymmetrical, deep, wide distributed light intensity. Cover plastic, transparent. Luminous flux 620 lm, Power 1 x 7 W, Light colour warm white, Correlated color temperature (CCT) 3.000 K, Colour rendering index CRI > 80, Rated life time L70/B50 at 25 °C: 30.000 h, Rated life time L80/B20 at 25 °C: 50.000 h, Housing material: Aluminium / Silicone rubber / PMMA, Colour: nickel matt, Permissible ambient temperature (ta): -20 °C up to +25 °C, Protection class (EN 61140): II, Degree of protection (DIN EN 60529): IP65. With electronic driver, DALI-2 dimmable.

### Product Benefits

- LED-Einbaustrahler in quadratischer Bauform aus massivem Aluminium für den Innenbereich mit verbautem LED-Modul 6 W (3.000 K) und dimmbarem Konverter DALI.
- Auslieferung mit 5-poliger Anschlussbox.
- Deckenausschnitt 68 mm, Länge 85 mm, Breite 85 mm, Einbautiefe 55 mm, Schutzart raumseitig IP65 (bei Einbau in geschlossenen Decken).
- Klassische, formal zurückgenommene Formgebung.
- In gleicher Oberflächenstruktur und in gleicher Farbe auch über Phasenabschnitt dimmbar, schaltbar und in Ausführung rund verfügbar.


**BB25 LED recessed spot set, IP65, DALI dimmable incl. connection box**

Article no. 41488153

Article data	
Article no.	41488153
GTIN	4251433948353
Series name	BB25
Short description	LED recessed spot set, IP65, DALI dimmable incl. connection box
Material	Aluminium / Silicone rubber / PMMA
Colour	nickel matt
Type of surface	Matt
Shape	Square
Length	85 mm
Width	85 mm
Built-in diameter min.	65 mm
Built-in diameter max.	68 mm
Installation depth	55 mm
Hight	4 mm
Scope of delivery	incl. connection box, 5-pole
Weight	0.306 kg
D licence plate	No
Conformance	CE, UKCA

Lighting technology	
Colour temperature	3.000 K
Light colour	white
Light output	Direct
Luminous flux	620 lm
System efficiency	89 lm/W
Colour rendering	CRI > 80
Reflector	Faceted
Reflector colour	silver
Beam angle	36°
Light sharing	Symmetric
Adjustable color temperature	No

Operating technology of the luminaire	
System output	7 W
Voltage type	AC
AC nominal voltage max	230 V
Frequency max	50 Hz
Lamp	LED
Lamp holder	Without fitting
Protection class	II
Protection class on the ceiling side	IP20
Degree of protection	IP65
Dimmable	Yes
Control	DALI-2
Bulb change possible	The light source of this luminaire may only be replaced by the manufacturer or a service technician commissioned by him or a similarly qualified person.
Rated life time L70/B50 at 25 °C	30,000 h
Rated life time L80/B20 at 25 °C	50.000 h
Energy efficiency class	not required


**BB25 LED recessed spot set, IP65, DALI dimmable incl. connection box**

Article no. 41488153

Mounting technology	
Mounting method	Recessed mounting
Place of installation	Ceiling-mounted
Adjustability	Pivoted
Swivel angle	15°
Max. ceiling thickness	17 mm
Further references	No cover with thermal insulation material
Material cover	Plastic, transparent
Suitable for through-wiring	Yes

Packing data	
Gross weight	0.376 kg
Length of packaging	140 mm
Packaging width	110 mm
Packaging height	120 mm
Disposal at end of life	<p>This product must not be disposed of with household waste. You are obliged, to dispose of such electrical waste separately.</p> <p>By disposing of electrical waste and other old or defective electronics separately, you support recycling or other forms of re-use. In that way you help to take care and to avoid that harmful substances get into the environment.</p>