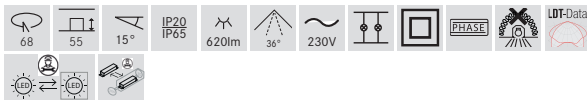
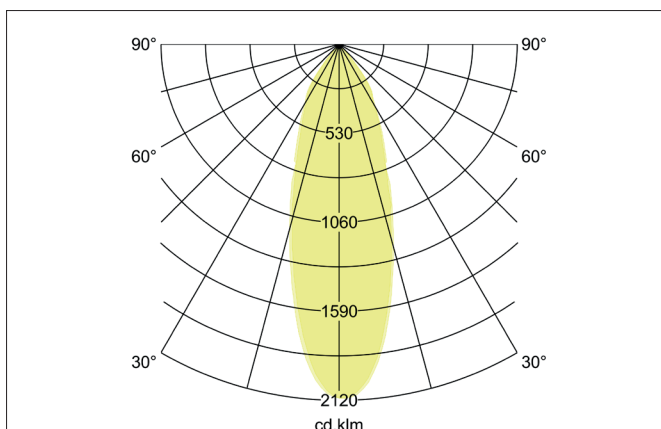
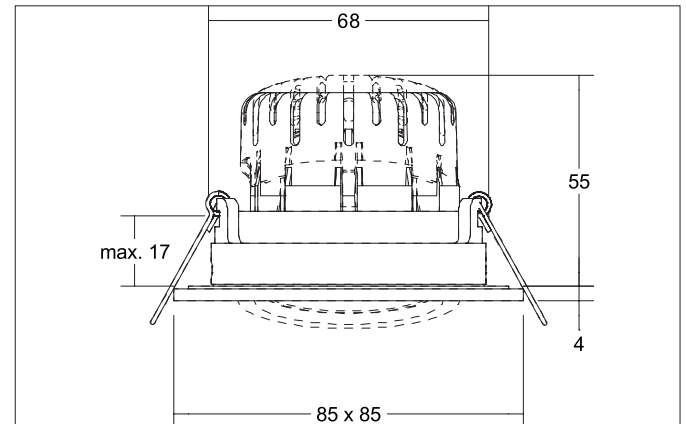



BB25 LED recessed spot set, IP65, trailing-edge phase dimmable
 Article no. 39488183

Tender

LED recessed spot set, IP65, trailing-edge phase dimmable, Square. Toolless ceiling installation by installation springs. Ceiling cut-out Ø 68 mm, Installation depth 55 mm, Length 85 mm, Width 85 mm, Weight 0,207 kg, Reflector silver with rotationssymmetrical, deep, wide distributed light intensity. Cover plastic, transparent Luminous flux 620 lm, Power 1 x 7 W, Light colour warm white, Correlated color temperature (CCT) 3.000 K, Colour rendering index CRI > 80, Rated life time L70/B50 at 25 °C: 30.000 h, Rated life time L80/B20 at 25 °C: 50.000 h, Housing material: Aluminium / Silicone rubber / PMMA, Colour: black structure, Permissible ambient temperature (ta): -20 °C up to +25 °C, Protection class (EN 61140): II, Degree of protection (DIN EN 60529): IP65. With electronic driver, Trailing-edge phase dimmable.

Product Benefits

- Recessed LED spotlight in square aluminum design with LED module 6 W (3,000 K) and phase dimmable converter.
- Ceiling cut-out 68 mm, length 85 mm, width 85 mm, installation depth 55 mm, IP65 (for installation in closed ceiling).
- Swivel range 15°.
- Without visible snap ring.
- Classic, formally restrained design.
- Also available in the same look as a switchable or dimmable DALI set.
- Also available with the same surface structure and in the same color also available in a round version.


BB25 LED recessed spot set, IP65, trailing-edge phase dimmable
 Article no. 39488183

Article data	
Article no.	39488183
GTIN	4251433948285
Series name	BB25
Short description	LED recessed spot set, IP65, trailing-edge phase dimmable
Material	Aluminium / Silicone rubber / PMMA
Colour	black structure
Type of surface	Structure
Shape	Square
Length	85 mm
Width	85 mm
Built-in diameter min.	65 mm
Built-in diameter max.	68 mm
Installation depth	55 mm
Hight	4 mm
Weight	0.207 kg
D licence plate	No
Conformance	CE, UKCA

Lighting technology	
Colour temperature	3.000 K
Light colour	white
Light output	Direct
Luminous flux	620 lm
System efficiency	89 lm/W
Colour rendering	CRI > 80
Reflector	Faceted
Reflector colour	silver
Beam angle	36°
Light sharing	Symmetric
Adjustable color temperature	No

Operating technology of the luminaire	
Power	6 W
Voltage type	DC
Current	350 mA
Lamp	LED
Protection class	III
Degree of protection	IP65
Rated life time L70/B50 at 25 °C	30,000 h

Operating technology of driver	
Article No. of used driver	17663010
Length	110 mm
Width	50 mm
Hight	19 mm
AC nominal voltage min	198 V
AC nominal voltage max	264 V
Frequency max	60 Hz
Dimmable	Yes
Control	Trailing-edge phase
Starting current	1 A, 15,2 µs
Power min	2.8 W
Power	7 W
Output current	350 mA
Degree of protection	IP20
Protection class	II
Flicker-free	Yes


BB25 LED recessed spot set, IP65, trailing-edge phase dimmable

Article no. 39488183

Mounting technology	
Mounting method	Recessed mounting
Place of installation	Ceiling-mounted
Adjustability	Pivoted
Swivel angle	15°
Max. ceiling thickness	17 mm
Further references	No cover with thermal insulation material
Material cover	Plastic, transparent
Suitable for through-wiring	Yes, with optional accessories

Packing data	
Gross weight	0.258 kg
Length of packaging	100 mm
Packaging width	100 mm
Packaging height	100 mm
Disposal at end of life	<p>This product must not be disposed of with household waste. You are obliged, to dispose of such electrical waste separately.</p> <p>By disposing of electrical waste and other old or defective electronics separately, you support recycling or other forms of re-use. In that way you help to take care and to avoid that harmful substances get into the environment.</p>

Optional accessories	
Article no.: 83330000	
Connection box 230 V AC, 3-pole	
Dimensions: 85 mm x 35 mm x 30 mm	
https://www.brumberg.com/fileadmin/products/Datenblatt_83330000_2021_DE.pdf	