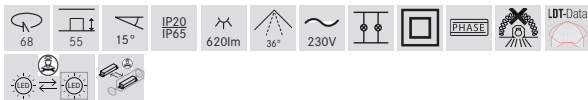
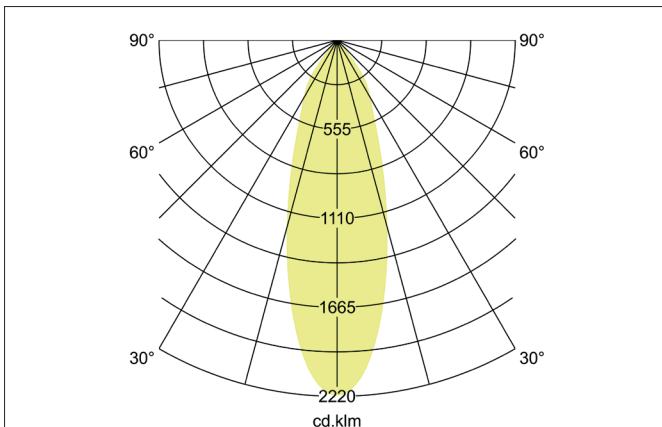
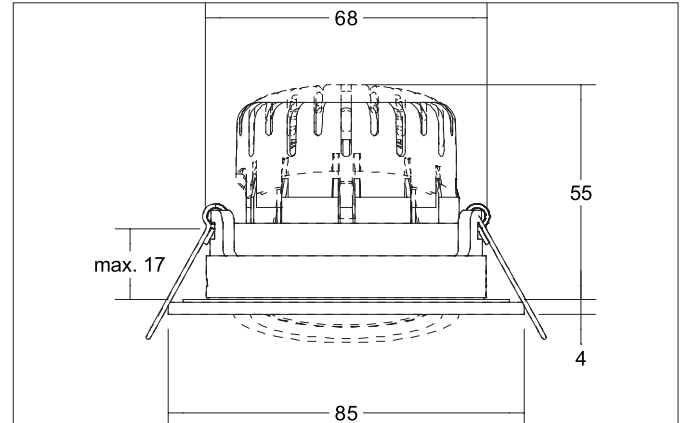




**BB23 LED recessed spot set, IP65, trailing-edge phase dimmable (round converter)**

Article no. 40484183



**Tender**  
 LED recessed spot set, IP65, trailing-edge phase dimmable (round converter), Round. Toolless ceiling installation by installation springs. Ceiling cut-out Ø 68 mm, Installation depth 55 mm, Outer diameter 85 mm, Weight 0,19 kg, Reflector silver with rotationssymmetrical, deep, wide distributed light intensity. Cover plastic, transparent Luminous flux 620 lm, Power 1 x 7 W, Light colour warm white, Correlated color temperature (CCT) 3.000 K, Colour rendering index CRI > 80, Rated life time L70/B50 at 25 °C: 30.000 h, Rated life time L80/B20 at 25 °C: 50.000 h, Housing material: Aluminium / Silicone rubber / PMMA, Colour: black structure, Permissible ambient temperature (ta): -20 °C up to +25 °C, Protection class (EN 61140): II, Degree of protection (DIN EN 60529): IP65. With electronic driver, Trailing-edge phase dimmable.

**Product Benefits**

- LED-Einbaustrahler in runder Bauform aus massivem Aluminium für den Innenbereich mit verbautem LED-Modul 6 W (3.000 K) und phasendimmbarem Rundkonverter.
- Deckenausschnitt 68 mm, Durchmesser 85 mm, Einbautiefe 55 mm, Schutzart raumseitig IP65 (bei Einbau in geschlossenen Decken).
- Klassische, formal zurückgenommene Formgebung.
- In gleicher Oberflächenstruktur und in gleicher Farbe auch über DALI dimmbar, schaltbar und in Ausführung quadratisch verfügbar.


**BB23 LED recessed spot set, IP65, trailing-edge phase dimmable  
(round converter)**

Article no. 40484183

Article data	
Article no.	40484183
GTIN	4251433948193
Series name	BB23
Short description	LED recessed spot set, IP65, trailing-edge phase dimmable (round converter)
Material	Aluminium / Silicone rubber / PMMA
Colour	black structure
Type of surface	Structure
Shape	Round
Outer diameter	85 mm
Built-in diameter min.	65 mm
Built-in diameter max.	68 mm
Installation depth	55 mm
Hight	4 mm
Weight	0.19 kg
D licence plate	No
Conformance	CE, UKCA

Lighting technology	
Colour temperature	3.000 K
Light colour	white
Light output	Direct
Luminous flux	620 lm
System efficiency	89 lm/W
Colour rendering	CRI > 80
Reflector	Faceted
Reflector colour	silver
Beam angle	36°
Light sharing	Symmetric
Adjustable color temperature	No

Operating technology of the luminaire	
Outer diameter	85 mm
Power	6 W
Voltage type	DC
Current	350 mA
Lamp	LED
Protection class	III
Degree of protection	IP65
Rated life time L70/B50 at 25 °C	30,000 h

Operating technology of driver	
Article No. of used driver	17652001
Power min	4.9 W
Power	7 W

Mounting technology	
Mounting method	Recessed mounting
Place of installation	Ceiling-mounted
Adjustability	Pivoted
Swivel angle	15°
Max. ceiling thickness	17 mm
Further references	No cover with thermal insulation material
Material cover	Plastic, transparent
Suitable for through-wiring	Yes, with optional accessories


**BB23 LED recessed spot set, IP65, trailing-edge phase dimmable  
 (round converter)**

Article no. 40484183

Packing data	
Gross weight	0.23 kg
Length of packaging	115 mm
Packaging width	95 mm
Packaging height	80 mm
Disposal at end of life	<p>This product must not be disposed of with household waste. You are obliged, to dispose of such electrical waste separately.</p> <p>By disposing of electrical waste and other old or defective electronics separately, you support recycling or other forms of re-use. In that way you help to take care and to avoid that harmful substances get into the environment.</p>

Optional accessories	
Article no.: 83330000 Connection box 230 V AC, 3-pole	
Dimensions: 85 mm x 35 mm x 30 mm <a href="https://www.brumberg.com/fileadmin/products/Datenblatt_83330000_2021_DE.pdf">https://www.brumberg.com/fileadmin/products/Datenblatt_83330000_2021_DE.pdf</a>	
Article no.: 81201180 Reducing ring D 110 mm, for luminaire cut-out size 68 mm	
Dimensions: 110 mm <a href="https://www.brumberg.com/fileadmin/products/Datenblatt_81201180_2021_DE.pdf">https://www.brumberg.com/fileadmin/products/Datenblatt_81201180_2021_DE.pdf</a>	
Article no.: 81202180 Reducing ring D 130 mm, for luminaire cut-out size 68 mm	
Dimensions: 130 mm <a href="https://www.brumberg.com/fileadmin/products/Datenblatt_81202180_2021_DE.pdf">https://www.brumberg.com/fileadmin/products/Datenblatt_81202180_2021_DE.pdf</a>	
Article no.: 81203180 Reducing ring D 145 mm, for luminaire cut-out size 68 mm	
Dimensions: 145 mm <a href="https://www.brumberg.com/fileadmin/products/Datenblatt_81203180_2021_DE.pdf">https://www.brumberg.com/fileadmin/products/Datenblatt_81203180_2021_DE.pdf</a>	