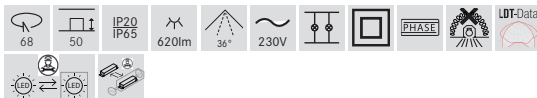
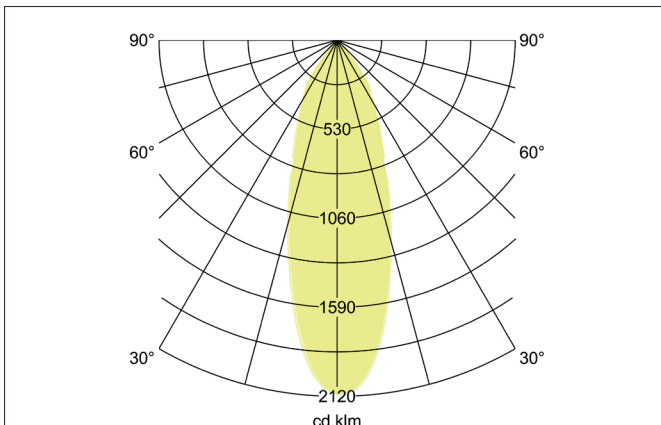
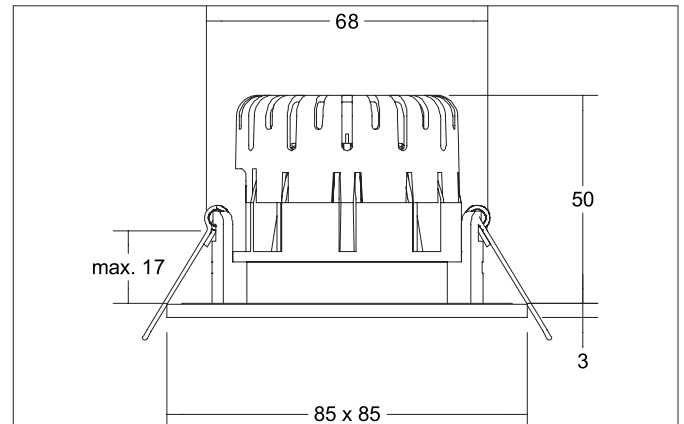
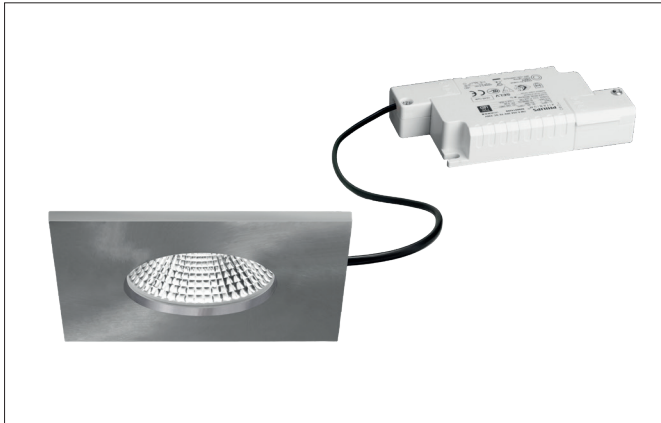



BB21 LED recessed downlight set, IP65, trailing-edge phase dimmable

Article no. 39481153


Tender

LED recessed downlight set, IP65, trailing-edge phase dimmable, Square. Toolless ceiling installation by installation springs. Ceiling cut-out Ø 68 mm, Installation depth 50 mm, Length 85 mm, Width 85 mm, Weight 0,184 kg, Reflector silver with rotationssymmetrical, deep, wide distributed light intensity. Cover plastic, transparent Luminous flux 620 lm, Power 1 x 7 W, Light colour warm white, Correlated color temperature (CCT) 3.000 K, Colour rendering index CRI > 80, Rated life time L70/B50 at 25 °C: 30.000 h, Rated life time L80/B20 at 25 °C: 50.000 h, Housing material: Aluminium / Silicone rubber / PMMA, Colour: nickel matt, Permissible ambient temperature (ta): -20 °C up to +25 °C, Protection class (EN 61140): II, Degree of protection (DIN EN 60529): IP65. With electronic driver, Trailing-edge phase dimmable.

Product Benefits

- LED-Einbaudownlight in quadratischer Bauform aus massivem Aluminium für den Innenbereich mit verbautem LED-Modul 6 W (3.000 K) und phasendimmbarem Konverter.
- Deckenausschnitt 68 mm, Länge 85 mm, Breite 82 mm, Einbautiefe 50 mm, Schutzart raumseitig IP65 (bei Einbau in geschlossenen Decken).
- Klassische, formal zurückgenommene Formgebung.
- In gleicher Oberflächenstruktur und in gleicher Farbe auch über DALI dimmbar, schaltbar und in Ausführung rund verfügbar.


BB21 LED recessed downlight set, IP65, trailing-edge phase dimmable

Article no. 39481153

Article data	
Article no.	39481153
GTIN	4251433948537
Series name	BB21
Short description	LED recessed downlight set, IP65, trailing-edge phase dimmable
Material	Aluminium / Silicone rubber / PMMA
Colour	nickel matt
Type of surface	Matt
Shape	Square
Length	85 mm
Width	85 mm
Built-in diameter min.	65 mm
Built-in diameter max.	68 mm
Installation depth	50 mm
Hight	3 mm
Weight	0.184 kg
D licence plate	No
Conformance	CE, UKCA

Lighting technology	
Colour temperature	3.000 K
Light colour	white
Light output	Direct
Luminous flux	620 lm
System efficiency	89 lm/W
Colour rendering	CRI > 80
Reflector	Faceted
Reflector colour	silver
Beam angle	36°
Light sharing	Symmetric
Adjustable color temperature	No

Operating technology of the luminaire	
Power	6 W
Voltage type	DC
Current	350 mA
Lamp	LED
Protection class	III
Degree of protection	IP65
Rated life time L70/B50 at 25 °C	30,000 h

Operating technology of driver	
Article No. of used driver	17663010
Length	110 mm
Width	50 mm
Hight	19 mm
AC nominal voltage min	198 V
AC nominal voltage max	264 V
Frequency max	60 Hz
Dimmable	Yes
Control	Trailing-edge phase
Starting current	1 A, 15,2 µs
Power min	2.8 W
Power	7 W
Output current	350 mA
Degree of protection	IP20
Protection class	II
Flicker-free	Yes


BB21 LED recessed downlight set, IP65, trailing-edge phase dimmable

Article no. 39481153

Mounting technology	
Mounting method	Recessed mounting
Place of installation	Ceiling-mounted
Adjustability	Not adjustable
Max. ceiling thickness	17 mm
Further references	No cover with thermal insulation material
Material cover	Plastic, transparent
Suitable for through-wiring	Yes, with optional accessories

Packing data	
Gross weight	0.234 kg
Length of packaging	115 mm
Packaging width	95 mm
Packaging height	80 mm
Disposal at end of life	This product must not be disposed of with household waste. You are obliged, to dispose of such electrical waste separately. By disposing of electrical waste and other old or defective electronics separately, you support recycling or other forms of re-use. In that way you help to take care and to avoid that harmful substances get into the environment.

Optional accessories	
Article no.: 83330000	
Connection box 230 V AC, 3-pole	
Dimensions: 85 mm x 35 mm x 30 mm	
https://www.brumberg.com/fileadmin/products/Datenblatt_83330000_2021_DE.pdf	