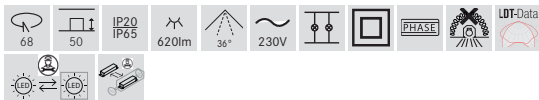
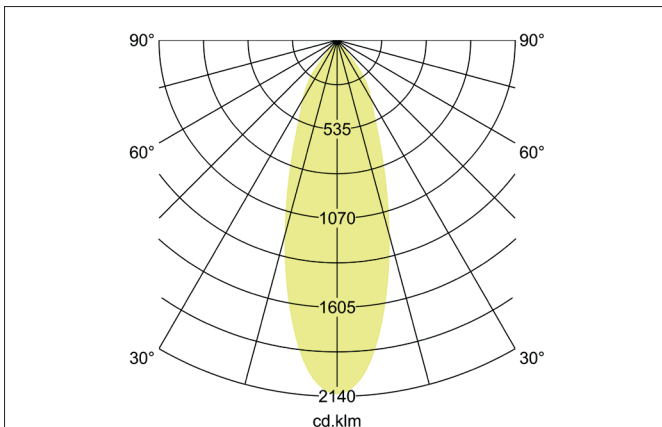
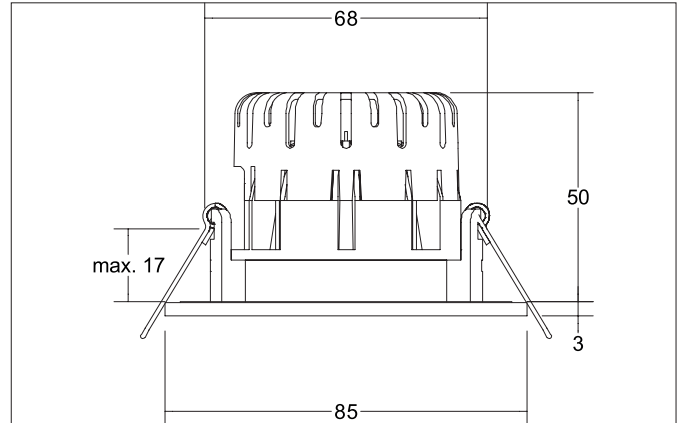




BB20 LED recessed downlight set, IP65, trailing-edge phase dimmable (round converter)
Article no. 40480153



Tender
LED recessed downlight set, IP65, trailing-edge phase dimmable (round converter), Round.Toolless ceiling installation by installation springs. Ceiling cut-out Ø 68 mm, Installation depth 50 mm, Outer diameter 85 mm, Weight 0,172 kg, Reflector silver with rotationssymmetrical, deep, wide distributed light intensity. Cover plastic, transparent Luminous flux 620 lm, Power 1 x 7 W, Light colour warm white, Correlated color temprature (CCT) 3.000 K, Colour rendering index CRI > 80, Rated life time L70/B50 at 25 °C: 30.000 h, Rated life time L80/B20 at 25 °C: 50.000 h, Housing material: Aluminium / Silicone rubber / PMMA, Colour: nickel matt, Permissible ambient temperature (ta): -20 °C up to +25 °C, Protection class (EN 61140): II, Degree of protection (DIN EN 60529): IP65. With electronic driver, Trailing-edge phase dimmable.

Product Benefits

- LED recessed downlight in round design made of solid aluminum for indoor use with built-in LED module 6 W (3,000 K) and phase-dimmable phase-dimmable round converter.
- Ceiling cut-out 68 mm, diameter 85 mm, installation depth 50 mm, Protection class IP65 on the room side (for installation in closed ceilings).
- Classic, formally restrained design.
- In the same surface structure and in the same color also via DALI dimmable, switchable and available in a square version.


BB20 LED recessed downlight set, IP65, trailing-edge phase dimmable (round converter)

Article no. 40480153

| Article data | |
|------------------------|--|
| Article no. | 40480153 |
| GTIN | 4251433948445 |
| Series name | BB20 |
| Short description | LED recessed downlight set, IP65, trailing-edge phase dimmable (round converter) |
| Material | Aluminium / Silicone rubber / PMMA |
| Colour | nickel matt |
| Type of surface | Matt |
| Shape | Round |
| Outer diameter | 85 mm |
| Built-in diameter min. | 65 mm |
| Built-in diameter max. | 68 mm |
| Installation depth | 50 mm |
| Hight | 3 mm |
| Weight | 0.172 kg |
| D licence plate | No |
| Conformance | CE, UKCA |

| Lighting technology | |
|------------------------------|-----------|
| Colour temperature | 3.000 K |
| Light colour | white |
| Light output | Direct |
| Luminous flux | 620 lm |
| System efficiency | 89 lm/W |
| Colour rendering | CRI > 80 |
| Reflector | Faceted |
| Reflector colour | silver |
| Beam angle | 36° |
| Light sharing | Symmetric |
| Adjustable color temperature | No |

| Operating technology of the luminaire | |
|---------------------------------------|----------|
| Outer diameter | 85 mm |
| Power | 6 W |
| Voltage type | DC |
| Current | 350 mA |
| Lamp | LED |
| Protection class | III |
| Degree of protection | IP65 |
| Rated life time L70/B50 at 25 °C | 30,000 h |

| Operating technology of driver | |
|--------------------------------|---------------------|
| Article No. of used driver | 17652000 |
| Hight | 24 mm |
| AC nominal voltage min | 200 V |
| AC nominal voltage max | 264 V |
| Frequency max | 60 Hz |
| Dimmable | Yes |
| Control | Trailing-edge phase |
| Starting current | 3 A, 100 µs |
| Power min | 4.9 W |
| Power | 7 W |
| Output current | 350 mA |
| Degree of protection | IP20 |
| Protection class | II |
| Flicker-free | Yes |


BB20 LED recessed downlight set, IP65, trailing-edge phase dimmable (round converter)

Article no. 40480153

| Mounting technology | |
|-----------------------------|---|
| Mounting method | Recessed mounting |
| Place of installation | Ceiling-mounted |
| Adjustability | Not adjustable |
| Max. ceiling thickness | 17 mm |
| Further references | No cover with thermal insulation material |
| Material cover | Plastic, transparent |
| Suitable for through-wiring | Yes, with optional accessories |

| Packing data | |
|-------------------------|---|
| Gross weight | 0.215 kg |
| Length of packaging | 115 mm |
| Packaging width | 95 mm |
| Packaging height | 80 mm |
| Disposal at end of life | This product must not be disposed of with household waste. You are obliged, to dispose of such electrical waste separately. By disposing of electrical waste and other old or defective electronics separately, you support recycling or other forms of re-use. In that way you help to take care and to avoid that harmful substances get into the environment. |

| Optional accessories | |
|--|--|
| Article no.: 83330000 Connection box 230 V AC, 3-pole Dimensions: 85 mm x 35 mm x 30 mm https://www.brumberg.com/fileadmin/products/Datenblatt_83330000_2021_DE.pdf | |
| Article no.: 81201150 Reducing ring D 110 mm, for luminaire cut-out size 68 mm Dimensions: 110 mm https://www.brumberg.com/fileadmin/products/Datenblatt_81201150_2021_DE.pdf | |
| Article no.: 81202150 Reducing ring D 130 mm, for luminaire cut-out size 68 mm Dimensions: 130 mm https://www.brumberg.com/fileadmin/products/Datenblatt_81202150_2021_DE.pdf | |
| Article no.: 81203150 Reducing ring D 145 mm, for luminaire cut-out size 68 mm Dimensions: 145 mm https://www.brumberg.com/fileadmin/products/Datenblatt_81203150_2021_DE.pdf | |