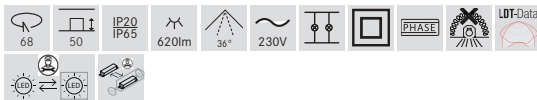
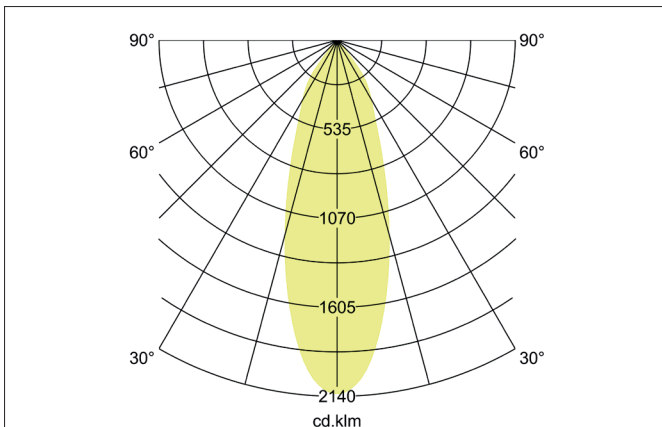
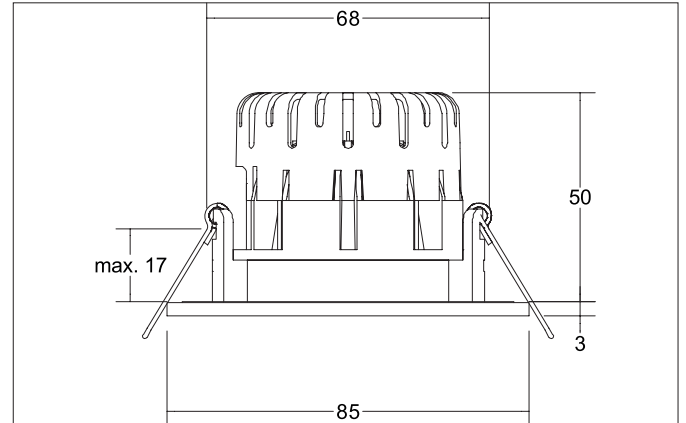




BB20 LED recessed downlight set, IP65, trailing-edge phase dimmable

Article no. 39480183



Tender
LED recessed downlight set, IP65, trailing-edge phase dimmable, Round. Toolless ceiling installation by installation springs. Ceiling cut-out Ø 68 mm, Installation depth 50 mm, Outer diameter 85 mm, Weight 0,175 kg, Reflector silver with rotationssymmetrical, deep, wide distributed light intensity. Cover plastic, transparent Luminous flux 620 lm, Power 1 x 7 W, Light colour warm white, Correlated color temperature (CCT) 3.000 K, Colour rendering index CRI > 80, Rated life time L70/B50 at 25 °C: 30.000 h, Rated life time L80/B20 at 25 °C: 50.000 h, Housing material: Aluminium / Silicone rubber / PMMA, Colour: black structure, Permissible ambient temperature (ta): -20 °C up to +25 °C, Protection class (EN 61140): II, Degree of protection (DIN EN 60529): IP65. With electronic driver, Trailing-edge phase dimmable.

Product Benefits

- LED recessed downlight in round design made of solid aluminum for indoor use with built-in LED module 6 W (3,000 K) and phase-dimmable phase dimmable converter.
- Ceiling cut-out 68 mm, diameter 85 mm, installation depth 50 mm, Protection class IP65 on the room side (for installation in closed ceilings).
- Classic, formally restrained design.
- In the same surface structure and in the same color also via DALI dimmable, switchable and available in a square version.


BB20 LED recessed downlight set, IP65, trailing-edge phase dimmable

Article no. 39480183

| Article data | |
|------------------------|--|
| Article no. | 39480183 |
| GTIN | 4251433948407 |
| Series name | BB20 |
| Short description | LED recessed downlight set, IP65, trailing-edge phase dimmable |
| Material | Aluminium / Silicone rubber / PMMA |
| Colour | black structure |
| Type of surface | Structure |
| Shape | Round |
| Outer diameter | 85 mm |
| Built-in diameter min. | 65 mm |
| Built-in diameter max. | 68 mm |
| Installation depth | 50 mm |
| Hight | 3 mm |
| Weight | 0.175 kg |
| D licence plate | No |
| Conformance | CE, UKCA |

| Lighting technology | |
|------------------------------|-----------|
| Colour temperature | 3.000 K |
| Light colour | white |
| Light output | Direct |
| Luminous flux | 620 lm |
| System efficiency | 89 lm/W |
| Colour rendering | CRI > 80 |
| Reflector | Faceted |
| Reflector colour | silver |
| Beam angle | 36° |
| Light sharing | Symmetric |
| Adjustable color temperature | No |

| Operating technology of the luminaire | |
|---------------------------------------|----------|
| Outer diameter | 85 mm |
| Power | 6 W |
| Voltage type | DC |
| Current | 350 mA |
| Lamp | LED |
| Protection class | III |
| Degree of protection | IP65 |
| Rated life time L70/B50 at 25 °C | 30,000 h |

| Operating technology of driver | |
|--------------------------------|---------------------|
| Article No. of used driver | 17663010 |
| Length | 110 mm |
| Width | 50 mm |
| Hight | 19 mm |
| AC nominal voltage min | 198 V |
| AC nominal voltage max | 264 V |
| Frequency max | 60 Hz |
| Dimmable | Yes |
| Control | Trailing-edge phase |
| Starting current | 1 A, 15,2 µs |
| Power min | 2.8 W |
| Power | 7 W |
| Output current | 350 mA |
| Degree of protection | IP20 |
| Protection class | II |
| Flicker-free | Yes |


BB20 LED recessed downlight set, IP65, trailing-edge phase dimmable

Article no. 39480183

| Mounting technology | |
|-----------------------------|---|
| Mounting method | Recessed mounting |
| Place of installation | Ceiling-mounted |
| Adjustability | Not adjustable |
| Max. ceiling thickness | 17 mm |
| Further references | No cover with thermal insulation material |
| Material cover | Plastic, transparent |
| Suitable for through-wiring | Yes, with optional accessories |

| Packing data | |
|-------------------------|---|
| Gross weight | 0.225 kg |
| Length of packaging | 100 mm |
| Packaging width | 100 mm |
| Packaging height | 100 mm |
| Disposal at end of life | This product must not be disposed of with household waste. You are obliged, to dispose of such electrical waste separately. By disposing of electrical waste and other old or defective electronics separately, you support recycling or other forms of re-use. In that way you help to take care and to avoid that harmful substances get into the environment. |

| Optional accessories | |
|--|--|
| Article no.: 83330000 Connection box 230 V AC, 3-pole Dimensions: 85 mm x 35 mm x 30 mm https://www.brumberg.com/fileadmin/products/Datenblatt_83330000_2021_DE.pdf | |
| Article no.: 81201180 Reducing ring D 110 mm, for luminaire cut-out size 68 mm Dimensions: 110 mm https://www.brumberg.com/fileadmin/products/Datenblatt_81201180_2021_DE.pdf | |
| Article no.: 81202180 Reducing ring D 130 mm, for luminaire cut-out size 68 mm Dimensions: 130 mm https://www.brumberg.com/fileadmin/products/Datenblatt_81202180_2021_DE.pdf | |
| Article no.: 81203180 Reducing ring D 145 mm, for luminaire cut-out size 68 mm Dimensions: 145 mm https://www.brumberg.com/fileadmin/products/Datenblatt_81203180_2021_DE.pdf | |