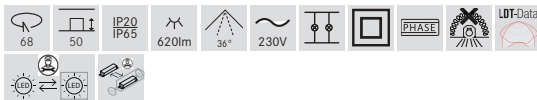
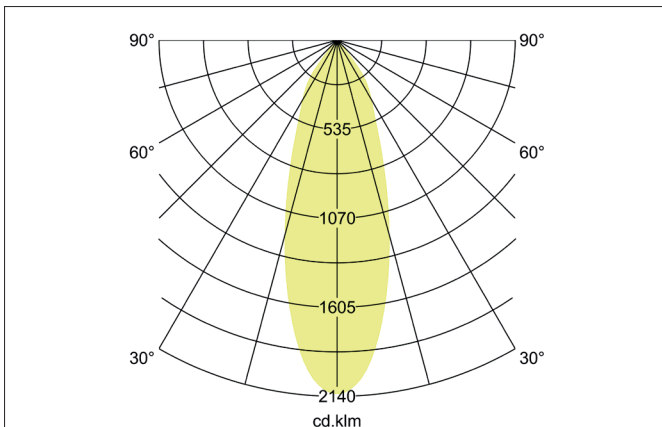
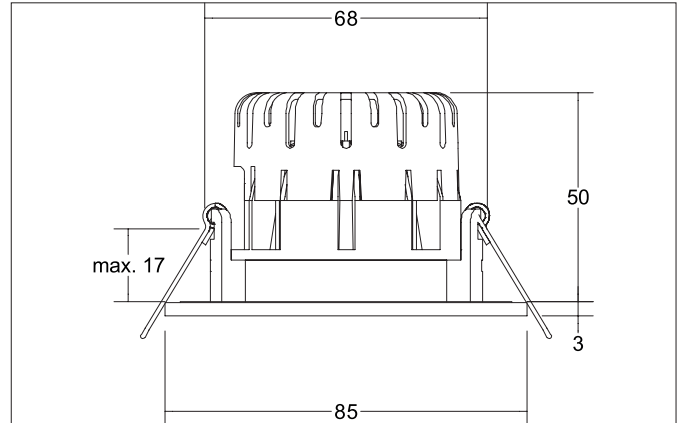




**BB20 LED recessed downlight set, IP65, trailing-edge phase dimmable**

Article no. 39480153



**Tender**  
LED recessed downlight set, IP65, trailing-edge phase dimmable, Round. Toolless ceiling installation by installation springs. Ceiling cut-out Ø 68 mm, Installation depth 50 mm, Outer diameter 85 mm, Weight 0,175 kg, Reflector silver with rotationssymmetrical, deep, wide distributed light intensity. Cover plastic, transparent Luminous flux 620 lm, Power 1 x 7 W, Light colour warm white, Correlated color temperature (CCT) 3.000 K, Colour rendering index CRI > 80, Rated life time L70/B50 at 25 °C: 30.000 h, Rated life time L80/B20 at 25 °C: 50.000 h, Housing material: Aluminium / Silicone rubber / PMMA, Colour: nickel matt, Permissible ambient temperature (ta): -20 °C up to +25 °C, Protection class (EN 61140): II, Degree of protection (DIN EN 60529): IP65. With electronic driver, Trailing-edge phase dimmable.

**Product Benefits**

LOOP- Light Of Ocean Plastic.

Certified LED recessed luminaire housing made from 100 % recycled ocean plastic.

Plastic waste in the sea is a global catastrophe, that we need to do something about. We are making an important contribution with the first luminaire whose plastic 100 percent recycled ocean plastic.

plastic". With LOOP, we are setting new standards for sustainable lighting solutions on the global market, that reflect high quality, functionality and aesthetics.


**BB20 LED recessed downlight set, IP65, trailing-edge phase dimmable**

Article no. 39480153

Article data	
Article no.	39480153
GTIN	4251433948414
Series name	BB20
Short description	LED recessed downlight set, IP65, trailing-edge phase dimmable
Material	Aluminium / Silicone rubber / PMMA
Colour	nickel matt
Type of surface	Matt
Shape	Round
Outer diameter	85 mm
Built-in diameter min.	65 mm
Built-in diameter max.	68 mm
Installation depth	50 mm
Hight	3 mm
Weight	0.175 kg
D licence plate	No
Conformance	CE, UKCA

Lighting technology	
Colour temperature	3.000 K
Light colour	white
Light output	Direct
Luminous flux	620 lm
System efficiency	89 lm/W
Colour rendering	CRI > 80
Reflector	Faceted
Reflector colour	silver
Beam angle	36°
Light sharing	Symmetric
Adjustable color temperature	No

Operating technology of the luminaire	
Outer diameter	85 mm
Power	6 W
Voltage type	DC
Current	350 mA
Lamp	LED
Protection class	III
Degree of protection	IP65
Rated life time L70/B50 at 25 °C	30,000 h

Operating technology of driver	
Article No. of used driver	17663010
Length	110 mm
Width	50 mm
Hight	19 mm
AC nominal voltage min	198 V
AC nominal voltage max	264 V
Frequency max	60 Hz
Dimmable	Yes
Control	Trailing-edge phase
Starting current	1 A, 15,2 µs
Power min	2.8 W
Power	7 W
Output current	350 mA
Degree of protection	IP20
Protection class	II
Flicker-free	Yes


**BB20 LED recessed downlight set, IP65, trailing-edge phase dimmable**

Article no. 39480153

Mounting technology	
Mounting method	Recessed mounting
Place of installation	Ceiling-mounted
Adjustability	Not adjustable
Max. ceiling thickness	17 mm
Further references	No cover with thermal insulation material
Material cover	Plastic, transparent
Suitable for through-wiring	Yes, with optional accessories

Packing data	
Gross weight	0.225 kg
Length of packaging	100 mm
Packaging width	100 mm
Packaging height	100 mm
Disposal at end of life	This product must not be disposed of with household waste. You are obliged, to dispose of such electrical waste separately. By disposing of electrical waste and other old or defective electronics separately, you support recycling or other forms of re-use. In that way you help to take care and to avoid that harmful substances get into the environment.

Optional accessories	
Article no.: 83330000 Connection box 230 V AC, 3-pole  Dimensions: 85 mm x 35 mm x 30 mm <a href="https://www.brumberg.com/fileadmin/products/Datenblatt_83330000_2021_DE.pdf">https://www.brumberg.com/fileadmin/products/Datenblatt_83330000_2021_DE.pdf</a>	
Article no.: 81201150 Reducing ring D 110 mm, for luminaire cut-out size 68 mm  Dimensions: 110 mm <a href="https://www.brumberg.com/fileadmin/products/Datenblatt_81201150_2021_DE.pdf">https://www.brumberg.com/fileadmin/products/Datenblatt_81201150_2021_DE.pdf</a>	
Article no.: 81202150 Reducing ring D 130 mm, for luminaire cut-out size 68 mm  Dimensions: 130 mm <a href="https://www.brumberg.com/fileadmin/products/Datenblatt_81202150_2021_DE.pdf">https://www.brumberg.com/fileadmin/products/Datenblatt_81202150_2021_DE.pdf</a>	
Article no.: 81203150 Reducing ring D 145 mm, for luminaire cut-out size 68 mm  Dimensions: 145 mm <a href="https://www.brumberg.com/fileadmin/products/Datenblatt_81203150_2021_DE.pdf">https://www.brumberg.com/fileadmin/products/Datenblatt_81203150_2021_DE.pdf</a>	