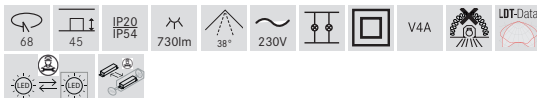
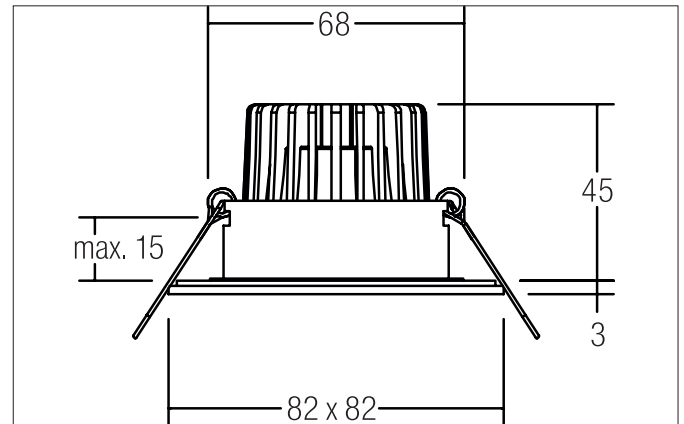



ITANSA-S BB16 LED recessed downlight set, V4A, IP54, on/off switchable

Article no. 38376083


Tender

LED recessed downlight set, V4A, IP54, on/off switchable, Square. Toolless ceiling installation by installation springs. Ceiling cut-out Ø 68 mm, Installation depth 45 mm, Length 82 mm, Width 82 mm, Weight 0,276 kg, Reflector silver with rotationssymmetrical, deep, wide distributed light intensity. Cover glass transparent Luminous flux 730 lm, Power 1 x 6 W, Light colour warm white, Correlated color temperature (CCT) 3.000 K, Colour rendering index CRI > 80, Rated life time L80/B20 at 25 °C: 50.000 h, Housing material: Stainless steel V4A / Aluminium / Glass / Plastic, Colour: black matt, Permissible ambient temperature (ta): -20 °C up to +25 °C, Protection class (EN 61140): II, Degree of protection (DIN EN 60529): IP54. With electronic driver, on/off switchable.

Product Benefits

- LED-Einbaudownlight in quadratischer Bauform aus massivem Edelstahl V4A mit LED-Modul 6 W (3.000 K) und schaltbarem Konverter.
- Deckenausschnitt 68 mm, Länge 82 mm, Breite 82 mm, Einbautiefe 45 mm, IP54 (bei Einbau in geschlossenen Decken).
- Ohne sichtbaren Sprengling.
- Klassische, formal zurückgenommene Formgebung.
- In gleicher Optik auch in GX5,3- oder GU10-Ausführung und als dimmbares Set (Phasenabschnitt oder DALI) lieferbar.
- Zudem in gleicher Oberflächenstruktur und in gleicher Farbe auch in Ausführung rund verfügbar.


ITANSA-S BB16 LED recessed downlight set, V4A, IP54, on/off switchable

Article no. 38376083

| Article data | |
|------------------------|--|
| Article no. | 38376083 |
| GTIN | 4251433957683 |
| Series name | ITANSA-S BB16 |
| Short description | LED recessed downlight set, V4A, IP54, on/off switchable |
| Material | Stainless steel V4A / Aluminium / Glass / Plastic |
| Colour | black matt |
| Type of surface | Matt |
| Shape | Square |
| Length | 82 mm |
| Width | 82 mm |
| Built-in diameter min. | 65 mm |
| Built-in diameter max. | 68 mm |
| Installation depth | 45 mm |
| Hight | 3 mm |
| Weight | 0.276 kg |
| D licence plate | No |
| Conformance | CE, UKCA |

| Lighting technology | |
|------------------------------|-----------|
| Colour temperature | 3.000 K |
| Light colour | white |
| Light output | Direct |
| Luminous flux | 730 lm |
| System efficiency | 122 lm/W |
| Colour rendering | CRI > 80 |
| Reflector | Faceted |
| Reflector colour | silver |
| Beam angle | 38° |
| Light sharing | Symmetric |
| Adjustable color temperature | No |

| Operating technology of the luminaire | |
|---------------------------------------|--|
| Article No. of used light source | 12924383 |
| Hight | 32 mm |
| Outer diameter | 50 mm |
| Lamp holder | Plug&Play |
| Power | 6 W |
| Voltage type | DC |
| Current | 350 mA |
| Lamp | LED |
| Protection class | III |
| Degree of protection | IP20 |
| Energy efficiency class | D |
| Bulb change possible | The light source of this luminaire may only be replaced by the manufacturer or a service technician commissioned by him or a similarly qualified person. |


ITANSA-S BB16 LED recessed downlight set, V4A, IP54, on/off switchable

Article no. 38376083

| Operating technology of driver | |
|--------------------------------|------------------|
| Article No. of used driver | 17662000 |
| Length | 68 mm |
| Width | 35 mm |
| Hight | 21 mm |
| AC nominal voltage min | 90 V |
| AC nominal voltage max | 264 V |
| Frequency max | 60 Hz |
| Dimmable | No |
| Control | on/off |
| Starting current | 40 A, 50 μ s |
| Power min | 1 W |
| Power | 7.2 W |
| Output current | 350 mA |
| Degree of protection | IP20 |
| Protection class | II |
| Flicker-free | Yes |

| Mounting technology | |
|-----------------------------|---|
| Mounting method | Recessed mounting |
| Place of installation | Ceiling-mounted |
| Adjustability | Not adjustable |
| Max. ceiling thickness | 15 mm |
| Further references | V4A No cover with thermal insulation material |
| Material cover | Glass transparent |
| Suitable for through-wiring | Yes, with optional accessories |

| Packing data | |
|-------------------------|--|
| Gross weight | 0.336 kg |
| Length of packaging | 95 mm |
| Packaging width | 75 mm |
| Packaging hight | 95 mm |
| Disposal at end of life | <p>This product must not be disposed of with household waste. You are obliged, to dispose of such electrical waste separately.</p> <p>By disposing of electrical waste and other old or defective electronics separately, you support recycling or other forms of re-use. In that way you help to take care and to avoid that harmful substances get into the environment.</p> |