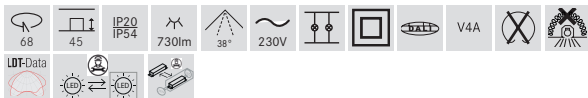
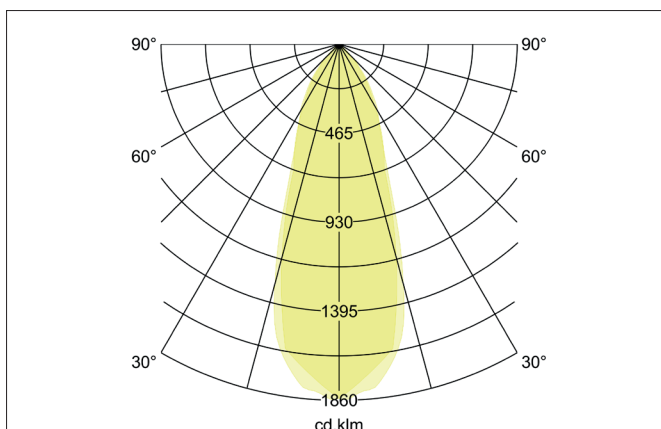
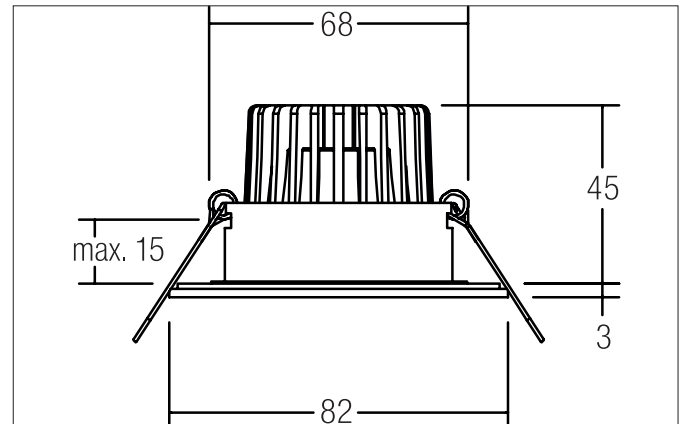



ITANSA-R BB15 LED recessed downlight set, V4A, IP54, DALI dimmable incl. connection box

Article no. 41475073


Tender

LED recessed downlight set, V4A, IP54, DALI dimmable incl. connection box, Round. Toolless ceiling installation by installation springs. Ceiling cut-out Ø 68 mm, Installation depth 45 mm, Outer diameter 82 mm, Weight 0,413 kg, Reflector silver with rotationssymmetrical, deep, wide distributed light intensity. Cover glass transparent. Luminous flux 730 lm, Power 1 x 6 W, Light colour warm white, Correlated colour temperature (CCT) 3.000 K, Colour rendering index CRI > 80, Rated life time L80/B20 at 25 °C: 50.000 h, Housing material: Stainless steel V4A / Aluminium / Glass / Plastic, Colour: white matt, Permissible ambient temperature (ta): -20 °C up to +25 °C, Protection class (EN 61140): II, Degree of protection (DIN EN 60529): IP54. With electronic driver, DALI-2 dimmable.

Product Benefits

- LED-Einbaudownlight in runder Bauform aus massivem Edelstahl V4A mit LED-Modul 6 W (3.000 K) und dimmbarem DALI-Konverter OHNE Glow-in-the-dark-Effekt.
- Auslieferung mit 5-poliger Anschlussbox.
- Deckenausschnitt 68 mm, Durchmesser 82 mm, Einbautiefe 45 mm, IP54 (bei Einbau in geschlossenen Decken).
- Ohne sichtbaren Sprengring.
- Klassische, formal zurückgenommene Formgebung.
- In gleicher Optik auch in GX5,3- oder GU10-Ausführung und als dimmbares Set Phasenabschnitt oder DALI lieferbar.
- Zudem in gleicher Oberflächenstruktur und in gleicher Farbe auch in Ausführung quadratisch verfügbar.


ITANSA-R BB15 LED recessed downlight set, V4A, IP54, DALI dimmable incl. connection box

Article no. 41475073

Article data	
Article no.	41475073
GTIN	4251433935926
Series name	ITANSA-R BB15
Short description	LED recessed downlight set, V4A, IP54, DALI dimmable incl. connection box
Material	Stainless steel V4A / Aluminium / Glass / Plastic
Colour	white matt
Type of surface	Matt
Shape	Round
Outer diameter	82 mm
Built-in diameter min.	65 mm
Built-in diameter max.	68 mm
Installation depth	45 mm
Hight	3 mm
Scope of delivery	Incl. 5-pole connection box
Weight	0.413 kg
D licence plate	No
Conformance	CE, UKCA

Lighting technology	
Colour temperature	3.000 K
Light colour	white
Light output	Direct
Luminous flux	730 lm
System efficiency	122 lm/W
Colour rendering	CRI > 80
Reflector	Faceted
Reflector colour	silver
Beam angle	38°
Light sharing	Symmetric
Adjustable color temperature	No

Operating technology of the luminaire	
Article No. of used light source	12924383
Hight	32 mm
Outer diameter	50 mm
Lamp holder	Plug&Play
Power	6 W
Voltage type	DC
Current	350 mA
Lamp	LED
Protection class	III
Degree of protection	IP20
Energy efficiency class	D
Bulb change possible	The light source of this luminaire may only be replaced by the manufacturer or a service technician commissioned by him or a similarly qualified person.


ITANSA-R BB15 LED recessed downlight set, V4A, IP54, DALI dimmable incl. connection box

Article no. 41475073

Operating technology of driver	
Article No. of used driver	17684020
Length	130 mm
Width	42 mm
Hight	22 mm
AC nominal voltage min	198 V
AC nominal voltage max	264 V
Frequency max	60 Hz
Dimmable	Yes
Control	DALI-2
Starting current	1 A, 15,2 µs
Power min	2.8 W
Power	7 W
Output current	350 mA
Degree of protection	IP20
Protection class	II
Flicker-free	Yes

Mounting technology	
Mounting method	Recessed mounting
Place of installation	Ceiling-mounted
Adjustability	Not adjustable
Max. ceiling thickness	15 mm
Further references	V4A No cover with thermal insulation material
Material cover	Glass transparent
Circlip	Without circlip
Suitable for through-wiring	Yes

Packing data	
Gross weight	0.485 kg
Length of packaging	140 mm
Packaging width	110 mm
Packaging hight	120 mm
Disposal at end of life	This product must not be disposed of with household waste. You are obliged, to dispose of such electrical waste separately. By disposing of electrical waste and other old or defective electronics separately, you support recycling or other forms of re-use. In that way you help to take care and to avoid that harmful substances get into the environment.

Optional accessories	
Article no.: 81204270 Reducing ring D = 110 mm, for luminaire cut-out dimension = 68 mm	https://www.brumberg.com/fileadmin/products/Datenblatt_81204270_2021_DE.pdf
Article no.: 81205270 Reducing ring D = 130 mm, for luminaire cut-out dimension = 68 mm	https://www.brumberg.com/fileadmin/products/Datenblatt_81205270_2021_DE.pdf
Article no.: 81206270 Reducing ring D = 145 mm, for luminaire cut-out dimension = 68 mm	https://www.brumberg.com/fileadmin/products/Datenblatt_81206270_2021_DE.pdf