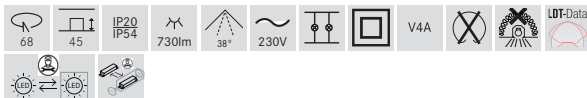
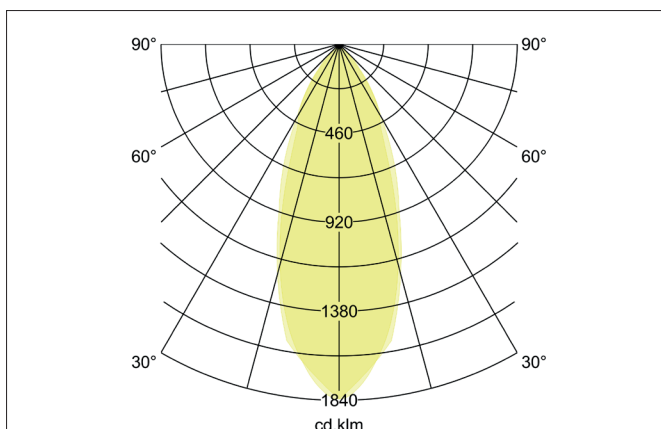
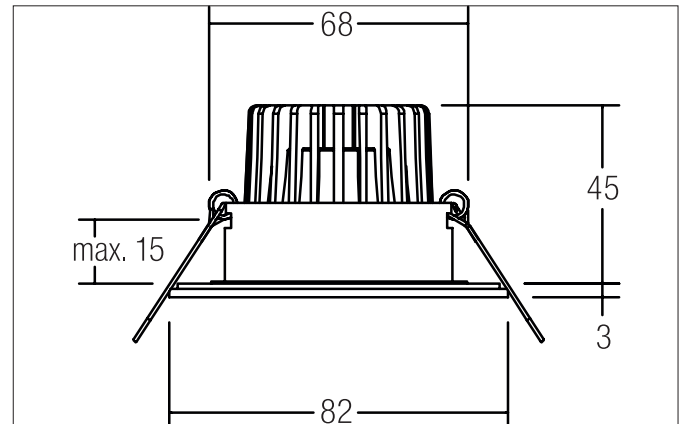



ITANSA-R BB15 LED recessed downlight set, V4A, IP54, on/off switchable

Article no. 38375073


Tender

LED recessed downlight set, V4A, IP54, on/off switchable, Round. Toolless ceiling installation by installation springs. Ceiling cut-out Ø 68 mm, Installation depth 45 mm, Outer diameter 82 mm, Weight 0,244 kg, Reflector silver with rotationssymmetrical, deep, wide distributed light intensity. Cover glass transparent Luminous flux 730 lm, Power 1 x 6 W, Light colour warm white, Correlated color temperature (CCT) 3.000 K, Colour rendering index CRI > 80, Rated life time L80/B20 at 25 °C: 50.000 h, Housing material: Stainless steel V4A / Aluminium / Glass / Plastic, Colour: white matt, Permissible ambient temperature (ta): -20 °C up to +25 °C, Protection class (EN 61140): II, Degree of protection (DIN EN 60529): IP54. With electronic driver, on/off switchable.

Product Benefits

- LED-Einbaudownlight in runder Bauform aus massivem Edelstahl V4A mit LED-Modul 6 W (3.000 K) und schaltbarem Konverter.
- Deckenausschnitt 68 mm, Durchmesser 82 mm, Einbautiefe 45 mm, IP54 (bei Einbau in geschlossenen Decken).
- Ohne sichtbaren Sprengling.
- Klassische, formal zurückgenommene Formgebung.
- In gleicher Optik auch in GX5,3- oder GU10-Ausführung und als dimmbares Set (Phasenabschnitt oder DALI) lieferbar.
- Zudem in gleicher Oberflächenstruktur und in gleicher Farbe auch in Ausführung quadratisch verfügbar.


ITANSA-R BB15 LED recessed downlight set, V4A, IP54, on/off switchable

Article no. 38375073

Article data	
Article no.	38375073
GTIN	4251433933489
Series name	ITANSA-R BB15
Short description	LED recessed downlight set, V4A, IP54, on/off switchable
Material	Stainless steel V4A / Aluminium / Glass / Plastic
Colour	white matt
Type of surface	Matt
Shape	Round
Outer diameter	82 mm
Built-in diameter min.	65 mm
Built-in diameter max.	68 mm
Installation depth	45 mm
Hight	3 mm
Weight	0.244 kg
D licence plate	No
Conformance	CE, UKCA

Lighting technology	
Colour temperature	3.000 K
Light colour	white
Light output	Direct
Luminous flux	730 lm
System efficiency	122 lm/W
Colour rendering	CRI > 80
Reflector	Faceted
Reflector colour	silver
Beam angle	38°
Light sharing	Symmetric
Adjustable color temperature	No

Operating technology of the luminaire	
Article No. of used light source	12924383
Hight	32 mm
Outer diameter	50 mm
Lamp holder	Plug&Play
Power	6 W
Voltage type	DC
Current	350 mA
Lamp	LED
Protection class	III
Degree of protection	IP20
Energy efficiency class	D
Bulb change possible	The light source of this luminaire may only be replaced by the manufacturer or a service technician commissioned by him or a similarly qualified person.


ITANSA-R BB15 LED recessed downlight set, V4A, IP54, on/off switchable

Article no. 38375073

Operating technology of driver	
Article No. of used driver	17662000
Length	68 mm
Width	35 mm
Hight	21 mm
AC nominal voltage min	90 V
AC nominal voltage max	264 V
Frequency max	60 Hz
Dimmable	No
Control	on/off
Starting current	40 A,50 μ s
Power min	1 W
Power	7.2 W
Output current	350 mA
Degree of protection	IP20
Protection class	II
Flicker-free	Yes

Mounting technology	
Mounting method	Recessed mounting
Place of installation	Ceiling-mounted
Adjustability	Not adjustable
Max. ceiling thickness	15 mm
Further references	V4A No cover with thermal insulation material
Material cover	Glass transparent
Circlip	Without circlip
Suitable for through-wiring	Yes, with optional accessories

Packing data	
Gross weight	0.28 kg
Length of packaging	95 mm
Packaging width	75 mm
Packaging hight	95 mm
Disposal at end of life	<p>This product must not be disposed of with household waste. You are obliged, to dispose of such electrical waste separately.</p> <p>By disposing of electrical waste and other old or defective electronics separately, you support recycling or other forms of re-use. In that way you help to take care and to avoid that harmful substances get into the environment.</p>



ITANSA-R BB 15 LED recessed downlight set, V4A, IP54, on/off switchable

Article no. 38375073

Optional accessories

Article no.: 81204270

Reducing ring D = 110 mm, for luminaire cut-out dimension = 68 mm

https://www.brumberg.com/fileadmin/products/Datenblatt_81204270_2021_DE.pdf

Article no.: 81205270

Reducing ring D = 130 mm, for luminaire cut-out dimension = 68 mm

https://www.brumberg.com/fileadmin/products/Datenblatt_81205270_2021_DE.pdf

Article no.: 81206270

Reducing ring D = 145 mm, for luminaire cut-out dimension = 68 mm

https://www.brumberg.com/fileadmin/products/Datenblatt_81206270_2021_DE.pdf

Article no.: 83330000

Connection box 230 V AC, 3-pole

Dimensions: 85 mm x 35 mm x 30 mm

https://www.brumberg.com/fileadmin/products/Datenblatt_83330000_2021_DE.pdf