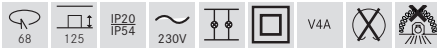
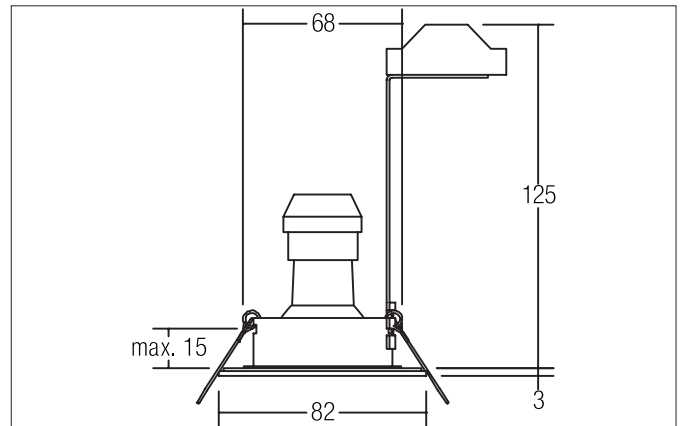




ITANSA-R Recessed downlight, V4A, IP54, GU10

Article no. 36004220



Tender

Recessed downlight, V4A, IP54, GU10, stainless steel matt, Round. In a compact design, for installation in tool-less rapid assembly systems. Lamp holder: GU10, Mounting method: Recessed mounting, Place of installation: Ceiling-mounted, Material: Stainless steel V4A / Glass, Degree of protection: according to DIN EN 60529 IP54, Protection class: (EN 61140) II, Voltage: 230V AC 50Hz, Power: 10 W, Amount of light sources / fittings: 1 piece, Light colour: white, Adjustability: Not adjustable, without control gear, Type of dimming: Other.

Product Benefits

- Einbaudownlight in runder Bauform aus massivem Edelstahl V4A für LED-Retrofit-Lampen mit Sockel GU10.
- Deckenausschnitt 68 mm, Durchmesser 82 mm, Einbautiefe 125 mm, IP54 (bei Einbau in geschlossenen Decken).
- Ohne sichtbaren Sprengring.
- Klassische, formal zurückgenommene Formgebung.
- In gleicher Optik auch als GX5,3-Ausführung, als schaltbares und dimmbares Set (Phasenabschnitt oder DALI) lieferbar.
- Zudem in gleicher Oberflächenstruktur und in gleicher Farbe auch in Ausführung quadratisch verfügbar.


ITANSA-R Recessed downlight, V4A, IP54, GU10

Article no. 36004220

Article data	
Article no.	36004220
GTIN	4250047782544
Series name	ITANSA-R
Short description	Recessed downlight, V4A, IP54, GU10
Material	Stainless steel V4A / Glass
Colour	stainless steel matt
Type of surface	Matt
Shape	Round
Outer diameter	82 mm
Built-in diameter min.	65 mm
Built-in diameter max.	68 mm
Installation depth	125 mm
Hight	3 mm
Weight	0.245 kg
D licence plate	No
Conformance	CE, UKCA

Operating technology of the luminaire	
System output	10 W
Voltage type	AC
AC nominal voltage max	230 V
Frequency max	50 Hz
Lamp	For LED-retrofill lamp
Lamp holder	GU10
Protection class	II
Protection class on the ceiling side	IP20
Degree of protection	IP54
Control	Other
Bulb change possible	Yes
Energy efficiency class	not required

Mounting technology	
Mounting method	Recessed mounting
Place of installation	Ceiling-mounted
Adjustability	Not adjustable
Max. ceiling thickness	15 mm
Further references	V4A No cover with thermal insulation material
Material cover	Glass transparent
Circlip	Without circlip

Packing data	
Gross weight	0.305 kg
Length of packaging	140 mm
Packaging width	110 mm
Packaging hight	120 mm
Disposal at end of life	<p>This product must not be disposed of with household waste. You are obliged, to dispose of such electrical waste separately.</p> <p>By disposing of electrical waste and other old or defective electronics separately, you support recycling or other forms of re-use. In that way you help to take care and to avoid that harmful substances get into the environment.</p>



ITANSA-R Recessed downlight, V4A, IP54, GU10

Article no. 36004220

Optional accessories

Article no.: 81204420

Reducing ring D = 110 mm, for luminaire cut-out dimension = 68 mm

https://www.brumberg.com/fileadmin/products/Datenblatt_81204420_2021_DE.pdf

Article no.: 81205420

Reducing ring D = 130 mm, for luminaire cut-out dimension = 68 mm

https://www.brumberg.com/fileadmin/products/Datenblatt_81205420_2021_DE.pdf

Article no.: 81206420

Reducing ring D = 145 mm, for luminaire cut-out dimension = 68 mm

https://www.brumberg.com/fileadmin/products/Datenblatt_81206420_2021_DE.pdf