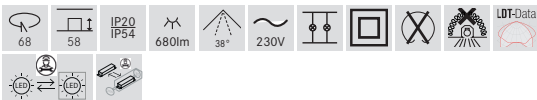
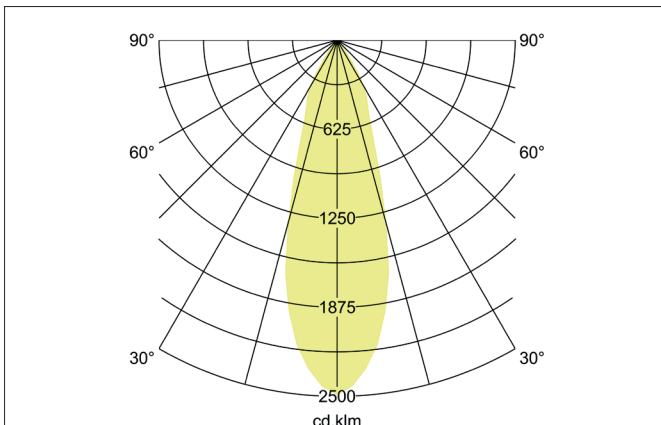
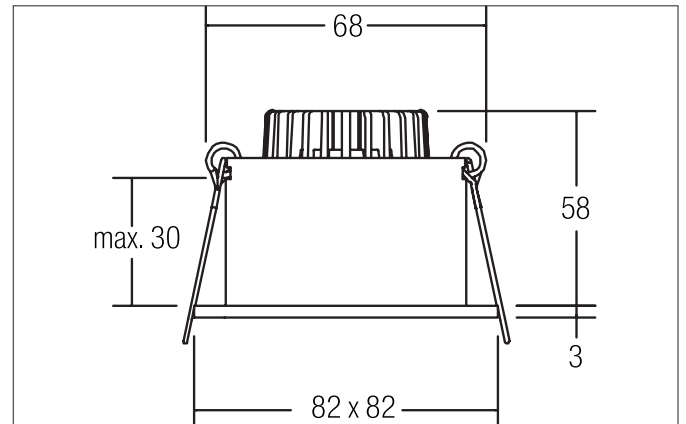



ETMESA-S LED recessed downlight set, IP54, on/off switchable
 Article no. 38267083

Tender

LED recessed downlight set, IP54, on/off switchable, Square. Toolless ceiling installation by installation springs. Ceiling cut-out Ø 68 mm, Installation depth 58 mm, Length 82 mm, Width 82 mm, Weight 0,278 kg, Reflector silver with rotationssymmetrical, deep, wide distributed light intensity. Cover glass transparent Luminous flux 680 lm, Power 1 x 6 W, Light colour warm white, Correlated color temperature (CCT) 2.700 K, Colour rendering index CRI > 80, Housing material: Aluminium / Glass / Plastic, Colour: black matt, Permissible ambient temperature (ta): -20 °C up to +25 °C, Protection class (EN 61140): II, Degree of protection (DIN EN 60529): IP54. With electronic driver, on/off switchable.

Product Benefits

- In klassischer Bauform mit IP-Schutz zwischen Decke und Einbauring.
- Schaltbare Ausführung.
- Einbaumaß 68 mm, Einbautiefe 58 mm, Länge 82 mm, Breite 82 mm.
- Auch verfügbar als Leuchte ohne Konverter (zur individuellen Konverterauswahl) und als dimmbares Set (Phasenabschnitt).
- In gleichen Oberflächen- und Farbausführungen in runder Ausführung lieferbar.


ETMESA-S LED recessed downlight set, IP54, on/off switchable

Article no. 38267083

Article data	
Article no.	38267083
GTIN	4251433919278
Series name	ETMESA-S
Short description	LED recessed downlight set, IP54, on/off switchable
Material	Aluminium / Glass / Plastic
Colour	black matt
Type of surface	Matt
Shape	Square
Length	82 mm
Width	82 mm
Built-in diameter min.	67 mm
Built-in diameter max.	68 mm
Installation depth	58 mm
Hight	3 mm
Weight	0.278 kg
D licence plate	No
Conformance	CE, UKCA

Lighting technology	
Colour temperature	2.700 K
Light colour	white
Light output	Direct
Luminous flux	680 lm
System efficiency	113 lm/W
Colour rendering	CRI > 80
Reflector	Faceted
Reflector colour	silver
Beam angle	38°
Light sharing	Symmetric
Adjustable color temperature	No

Operating technology of the luminaire	
Hight	3 mm
Lamp holder	Plug&Play
Power	6 W
Voltage type	DC
Current	350 mA
Lamp	LED
Protection class	III
Degree of protection	IP54
Protection class on the ceiling side	IP20
Energy efficiency class	not required
Bulb change possible	The light source of this luminaire may only be replaced by the manufacturer or a service technician commissioned by him or a similarly qualified person.


ETMESA-S LED recessed downlight set, IP54, on/off switchable

Article no. 38267083

Operating technology of driver	
Article No. of used driver	17662000
Length	68 mm
Width	35 mm
Hight	21 mm
AC nominal voltage min	90 V
AC nominal voltage max	264 V
Frequency max	60 Hz
Dimmable	No
Control	on/off
Starting current	40 A, 50 μ s
Power	1 W
Power	7.2 W
Output current	350 mA
Degree of protection	IP20
Protection class	II
Flicker-free	Yes

Mounting technology	
Mounting method	Recessed mounting
Place of installation	Ceiling-mounted
Adjustability	Not adjustable
Max. ceiling thickness	30 mm
Further references	No cover with thermal insulation material
Material cover	Glass transparent
Circlip	Without circlip
Suitable for through-wiring	Yes, with optional accessories

Packing data	
Gross weight	0.328 kg
Length of packaging	100 mm
Packaging width	100 mm
Packaging hight	100 mm
Disposal at end of life	This product must not be disposed of with household waste. You are obliged, to dispose of such electrical waste separately. By disposing of electrical waste and other old or defective electronics separately, you support recycling or other forms of re-use. In that way you help to take care and to avoid that harmful substances get into the environment.

Optional accessories	
Article no.:	83330000
Connection box	230 V AC, 3-pole
Dimensions:	85 mm x 35 mm x 30 mm
	https://www.brumberg.com/fileadmin/products/Datenblatt_83330000_2021_DE.pdf