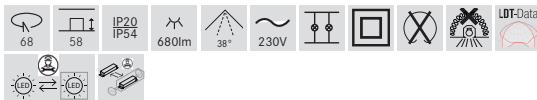
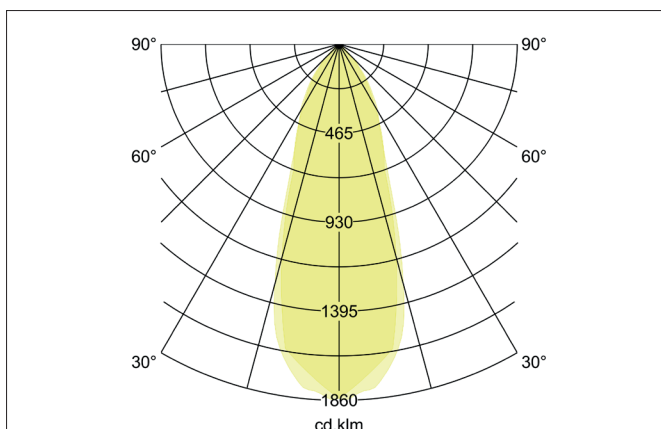
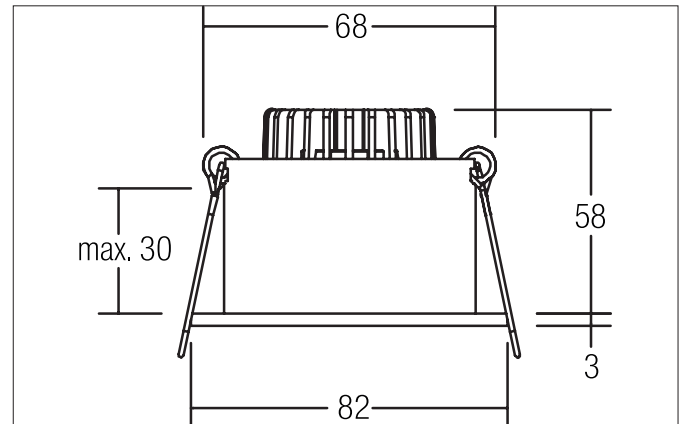



ETMESA-R LED recessed downlight set, IP54, on/off switchable
 Article no. 38266073

Tender

LED recessed downlight set, IP54, on/off switchable, Round. Toolless ceiling installation by installation springs. Ceiling cut-out Ø 68 mm, Installation depth 58 mm, Outer diameter 82 mm, Weight 0,245 kg, Reflector silver with rotationssymmetrical, deep, wide distributed light intensity. Cover glass transparent Luminous flux 680 lm, Power 1 x 6 W, Light colour warm white, Correlated color temperature (CCT) 2.700 K, Colour rendering index CRI > 80, Housing material: Aluminium / Glass / Plastic, Colour: white matt, Permissible ambient temperature (ta): -20 °C up to +25 °C, Protection class (EN 61140): II, Degree of protection (DIN EN 60529): IP54. With electronic driver, on/off switchable.

Product Benefits

- In klassischer Bauform mit IP-Schutz zwischen Decke und Einbauring.
- Schaltbare Ausführung.
- Einbaumaß 68 mm, Einbautiefe 58 mm, Durchmesser 82 mm.
- Auch verfügbar als Leuchte ohne Konverter (zur individuellen Konverterauswahl) und als dimmbares Set (Phasenabschnitt).
- In gleichen Oberflächen- und Farbausführungen in quadratischer Ausführung lieferbar.


ETMESA-R LED recessed downlight set, IP54, on/off switchable

Article no. 38266073

Article data	
Article no.	38266073
GTIN	4251433919254
Series name	ETMESA-R
Short description	LED recessed downlight set, IP54, on/off switchable
Material	Aluminium / Glass / Plastic
Colour	white matt
Type of surface	Matt
Shape	Round
Outer diameter	82 mm
Built-in diameter min.	67 mm
Built-in diameter max.	68 mm
Installation depth	58 mm
Hight	3 mm
Weight	0.245 kg
D licence plate	No
Conformance	CE, UKCA

Lighting technology	
Colour temperature	2.700 K
Light colour	white
Light output	Direct
Luminous flux	680 lm
System efficiency	113 lm/W
Colour rendering	CRI > 80
Reflector	Faceted
Reflector colour	silver
Beam angle	38°
Light sharing	Symmetric
Adjustable color temperature	No

Operating technology of the luminaire	
System output	6 W
Voltage type	AC
AC nominal voltage max	230 V
Frequency max	50 Hz
Lamp	LED
Lamp holder	Without fitting
Protection class	II
Protection class on the ceiling side	IP20
Degree of protection	IP54
Dimmable	No
Control	on/off
Bulb change possible	The light source of this luminaire may only be replaced by the manufacturer or a service technician commissioned by him or a similarly qualified person.
Energy efficiency class	not required

Mounting technology	
Mounting method	Recessed mounting
Place of installation	Ceiling-mounted
Adjustability	Not adjustable
Max. ceiling thickness	30 mm
Further references	No cover with thermal insulation material
Material cover	Glass transparent
Circlip	Without circlip
Suitable for through-wiring	Yes, with optional accessories


ETMESA-R LED recessed downlight set, IP54, on/off switchable

Article no. 38266073

Packing data	
Gross weight	0.287 kg
Length of packaging	95 mm
Packaging width	75 mm
Packaging height	95 mm
Disposal at end of life	<p>This product must not be disposed of with household waste. You are obliged, to dispose of such electrical waste separately.</p> <p>By disposing of electrical waste and other old or defective electronics separately, you support recycling or other forms of re-use. In that way you help to take care and to avoid that harmful substances get into the environment.</p>

Optional accessories	
Article no.: 81201370 Reducing ring D 110 mm, for luminaire cut-out size 68 mm	
Dimensions: 110 mm https://www.brumberg.com/fileadmin/products/Datenblatt_81201370_2021_DE.pdf	
Article no.: 81202370 Reducing ring D 130 mm, for luminaire cut-out size 68 mm	
Dimensions: 130 mm https://www.brumberg.com/fileadmin/products/Datenblatt_81202370_2021_DE.pdf	
Article no.: 81203370 Reducing ring D 145 mm, for luminaire cut-out size 68 mm	
Dimensions: 145 mm https://www.brumberg.com/fileadmin/products/Datenblatt_81203370_2021_DE.pdf	
Article no.: 83330000 Connection box 230 V AC, 3-pole	
Dimensions: 85 mm x 35 mm x 30 mm https://www.brumberg.com/fileadmin/products/Datenblatt_83330000_2021_DE.pdf	