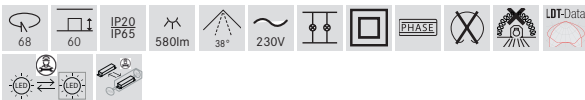
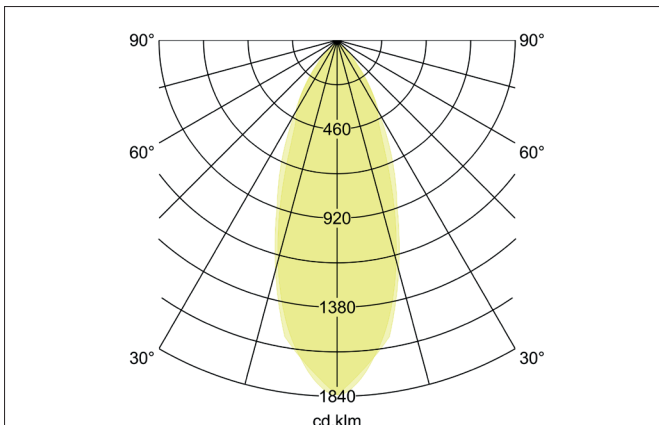
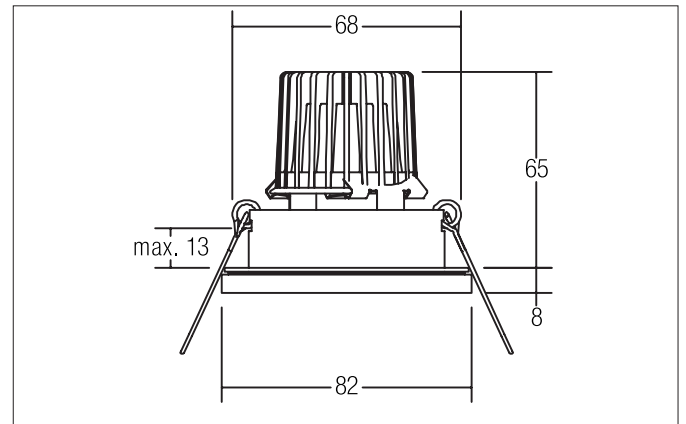



OGDAN LED recessed downlight set, IP65, trailing-edge phase dimmable

Article no. 39149073


Tender

LED recessed downlight set, IP65, trailing-edge phase dimmable, Round. Toolless ceiling installation by installation springs. Ceiling cut-out Ø 68 mm, Installation depth 60 mm, Outer diameter 82 mm, Weight 0,23 kg, Reflector silver with rotationssymmetrical, deep, wide distributed light intensity. Cover glass, satinised Luminous flux 580 lm, Power 1 x 6 W, Light colour warm white, Correlated color temperature (CCT) 3.000 K, Colour rendering index CRI > 80, Housing material: Cast iron / Aluminium / Glass / Plastic, Colour: white glossy, Permissible ambient temperature (ta): -20 °C up to +25 °C, Protection class (EN 61140): II, Degree of protection (DIN EN 60529): IP65. With electronic driver, Trailing-edge phase dimmable.

Product Benefits

- LED-Einbaudownlight in runder Bauform aus Guss mit LED-Modul 6 W (3.000 K) und phasendimmbarem Konverter.
- Deckenausschnitt 68 mm, Durchmesser 82 mm, Einbautiefe 60 mm, IP65 (bei Einbau in geschlossenen Decken).
- Ausführung: ohne Sprengring.
- Klassische, formal zurückgenommene Formgebung.
- In gleicher Optik auch in GX5,3- oder GU10-Ausführung und als schaltbares Set lieferbar.


OGDAN LED recessed downlight set, IP65, trailing-edge phase dimmable

Article no. 39149073

Article data	
Article no.	39149073
GTIN	4251433931089
Series name	OGDAN
Short description	LED recessed downlight set, IP65, trailing-edge phase dimmable
Material	Cast iron / Aluminium / Glass / Plastic
Colour	white glossy
Type of surface	Glossy
Shape	Round
Outer diameter	82 mm
Built-in diameter min.	65 mm
Built-in diameter max.	68 mm
Installation depth	60 mm
Hight	8 mm
Weight	0.23 kg
D licence plate	No
Conformance	CE, UKCA

Lighting technology	
Colour temperature	3.000 K
Light colour	white
Light output	Direct
Luminous flux	580 lm
System efficiency	97 lm/W
Colour rendering	CRI > 80
Reflector	Faceted
Reflector colour	silver
Beam angle	38°
Light sharing	Symmetric
Adjustable color temperature	No

Operating technology of the luminaire	
Article No. of used light source	12924383
Hight	32 mm
Outer diameter	50 mm
Lamp holder	Plug&Play
Power	6 W
Voltage type	DC
Current	350 mA
Lamp	LED
Protection class	III
Degree of protection	IP20
Energy efficiency class	D
Bulb change possible	The light source of this luminaire may only be replaced by the manufacturer or a service technician commissioned by him or a similarly qualified person.


OGDAN LED recessed downlight set, IP65, trailing-edge phase dimmable

Article no. 39149073

Operating technology of driver	
Article No. of used driver	17663000
Length	110 mm
Width	50 mm
Hight	19 mm
AC nominal voltage min	198 V
AC nominal voltage max	264 V
Frequency max	60 Hz
Dimmable	Yes
Control	Trailing-edge phase
Starting current	1 A, 15,2 μ s
Power	2.8 W
Power	7 W
Output current	350 mA
Degree of protection	IP20
Protection class	II
Flicker-free	Yes

Mounting technology	
Mounting method	Recessed mounting
Place of installation	Ceiling-mounted
Adjustability	Not adjustable
Max. ceiling thickness	13 mm
Further references	No cover with thermal insulation material
Material cover	Glass, satinised
Circlip	Without circlip
Suitable for through-wiring	Yes, with optional accessories

Packing data	
Gross weight	0.292 kg
Length of packaging	100 mm
Packaging width	100 mm
Packaging hight	100 mm
Disposal at end of life	This product must not be disposed of with household waste. You are obliged, to dispose of such electrical waste separately. By disposing of electrical waste and other old or defective electronics separately, you support recycling or other forms of re-use. In that way you help to take care and to avoid that harmful substances get into the environment.



OGDAN LED recessed downlight set, IP65, trailing-edge phase dimmable

Article no. 39149073

Optional accessories

Article no.: 81201070

Reducing ring D 110 mm, for luminaire cut-out size 68 mm

Dimensions: 110 mm

https://www.brumberg.com/fileadmin/products/Datenblatt_81201070_2021_DE.pdf

Article no.: 81202070

Reducing ring D 130 mm, for luminaire cut-out size 68 mm

Dimensions: 130 mm

https://www.brumberg.com/fileadmin/products/Datenblatt_81202070_2021_DE.pdf

Article no.: 81203070

Reducing ring D 145 mm, for luminaire cut-out size 68 mm

Dimensions: 145 mm

https://www.brumberg.com/fileadmin/products/Datenblatt_81203070_2021_DE.pdf

Article no.: 83330000

Connection box 230 V AC, 3-pole

Dimensions: 85 mm x 35 mm x 30 mm

https://www.brumberg.com/fileadmin/products/Datenblatt_83330000_2021_DE.pdf