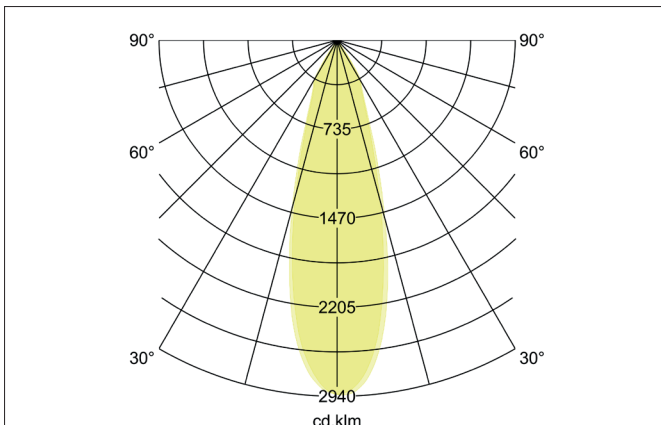
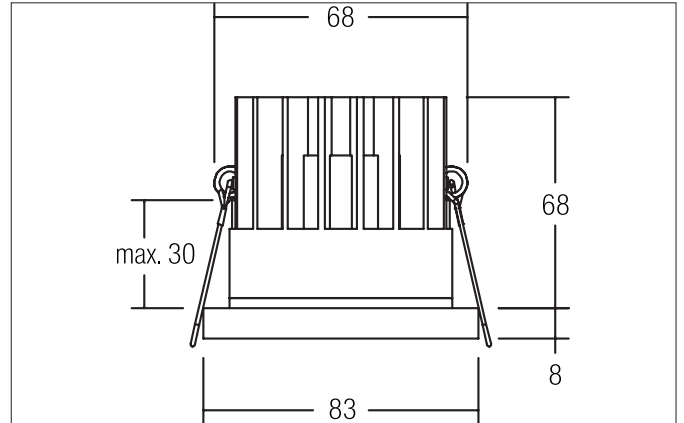



WANETA LED recessed downlight, IP54

Article no. 12270183


Tender

LED recessed downlight, IP54, Round. Toolless ceiling installation by installation springs. Ceiling cut-out Ø 68 mm, Installation depth 68 mm, Outer diameter 83 mm, Weight 0,23 kg, Reflector silver with rotationssymmetrical, deep, wide distributed light intensity. Cover glass transparent. Luminous flux 820 lm, Power 1 x 9,2 W, Light colour warm white, Correlated color temperature (CCT) 3.000 K, Colour rendering index CRI > 80, Housing material: Aluminium / Glass, Colour: black structure, Permissible ambient temperature (ta): -20 °C up to +25 °C, Protection class (EN 61140): III, Degree of protection (DIN EN 60529): IP54. For connection to an external driver, which is not included in the scope of delivery of the luminaire. Depending on driver dimmable.

Product Benefits

- Einbaudownlight in Schutzart IP54 (bei Einbau in geschlossenen Decken).
- Vertiefter Lichtaustritt.
- Abdeckung inklusive Klarglas über Bajonett befestigt.
- Standard-Deckenausschnitt 68 mm.
- Projektbezogen auch in 2.700 K und TunableWhite (2.700 K bis 6.500 K) lieferbar.


WANETA LED recessed downlight, IP54

Article no. 12270183

Article data	
Article no.	12270183
GTIN	4250047798026
Series name	WANETA
Short description	LED recessed downlight, IP54
Material	Aluminium / Glass
Colour	black structure
Type of surface	Structure
Shape	Round
Outer diameter	83 mm
Built-in diameter min.	68 mm
Built-in diameter max.	68 mm
Installation depth	68 mm
Hight	8 mm
Weight	0.23 kg
D licence plate	No
Conformance	CE, UKCA

Lighting technology	
Colour temperature	3.000 K
Light colour	white
Light output	Direct
Luminous flux	820 lm
System efficiency	89 lm/W
Colour rendering	CRI > 80
Reflector	Faceted
Reflector colour	silver
Beam angle	38°
Light sharing	Symmetric
Adjustable color temperature	No

Operating technology of the luminaire	
System output	9.2 W
Voltage type	DC
Current	500 mA
Lamp	LED
Protection class	III
Protection class on the ceiling side	IP20
Degree of protection	IP54
Dimmable	Depending on type of control gear
Control	Depending on driver
Bulb change possible	The light source of this luminaire may only be replaced by the manufacturer or a service technician commissioned by him or a similarly qualified person.
Energy efficiency class	not required

Mounting technology	
Mounting method	Recessed mounting
Place of installation	Ceiling-mounted
Adjustability	Not adjustable
Max. ceiling thickness	30 mm
Further references	No cover with thermal insulation material
Material cover	Glass transparent


WANETA LED recessed downlight, IP54

Article no. 12270183

Packing data	
Gross weight	0.28 kg
Length of packaging	100 mm
Packaging width	100 mm
Packaging height	100 mm
Disposal at end of life	<p>This product must not be disposed of with household waste. You are obliged, to dispose of such electrical waste separately.</p> <p>By disposing of electrical waste and other old or defective electronics separately, you support recycling or other forms of re-use. In that way you help to take care and to avoid that harmful substances get into the environment.</p>

Required accessories	
Article no.: 17823010 LED converter 500 mA, on/off switchable Power: 1 - 22 W, ohne Konfektionierung Dimensions: 146.5 mm x 43.5 mm x 30 mm https://www.brumberg.com/fileadmin/products/Datenblatt_17823010_2021_DE.pdf	
Article no.: 17822010 LED converter 500 mA, trailing-edge phase dimmable Power: 8 - 20 W, ohne Konfektionierung Dimensions: 110.5 mm x 52 mm x 22 mm https://www.brumberg.com/fileadmin/products/Datenblatt_17822010_2021_DE.pdf	
Article no.: 17829010 LED converter 500 mA, trailing-edge phase dimmable Power: 1 - 24 W, ohne Konfektionierung Dimensions: 166 mm x 46 mm x 34 mm https://www.brumberg.com/fileadmin/products/Datenblatt_17829010_2021_DE.pdf	
Article no.: 17824010 LED converter 500 mA, 1-10V dimmable (analog) Power: 5 - 27 W, ohne Konfektionierung Dimensions: 146.5 mm x 43.5 mm x 30 mm https://www.brumberg.com/fileadmin/products/Datenblatt_17824010_2021_DE.pdf	
Article no.: 17826010 LED converter 500 mA, DALI dimmable (digital) Power: 5 - 27 W, ohne Konfektionierung Dimensions: 146.5 mm x 44 mm x 30 mm https://www.brumberg.com/fileadmin/products/Datenblatt_17826010_2021_DE.pdf	

**WANETA LED recessed downlight, IP54**

Article no. 12270183

Optional accessories

Article no.: 83330000

Connection box 230 V AC, 3-pole

Dimensions: 85 mm x 35 mm x 30 mm

https://www.brumberg.com/fileadmin/products/Datenblatt_83330000_2021_DE.pdf

Article no.: 83331000

Connection box 230 V AC, 5-pole (DALI / 1-10 V)

Dimensions: 90 mm x 52 mm x 30 mm

https://www.brumberg.com/fileadmin/products/Datenblatt_83331000_2021_DE.pdf

Article no.: 81201180

Reducing ring D 110 mm, for luminaire cut-out size 68 mm

Dimensions: 110 mm

https://www.brumberg.com/fileadmin/products/Datenblatt_81201180_2021_DE.pdf

Article no.: 81202180

Reducing ring D 130 mm, for luminaire cut-out size 68 mm

Dimensions: 130 mm

https://www.brumberg.com/fileadmin/products/Datenblatt_81202180_2021_DE.pdf

Article no.: 81203180

Reducing ring D 145 mm, for luminaire cut-out size 68 mm

Dimensions: 145 mm

https://www.brumberg.com/fileadmin/products/Datenblatt_81203180_2021_DE.pdf