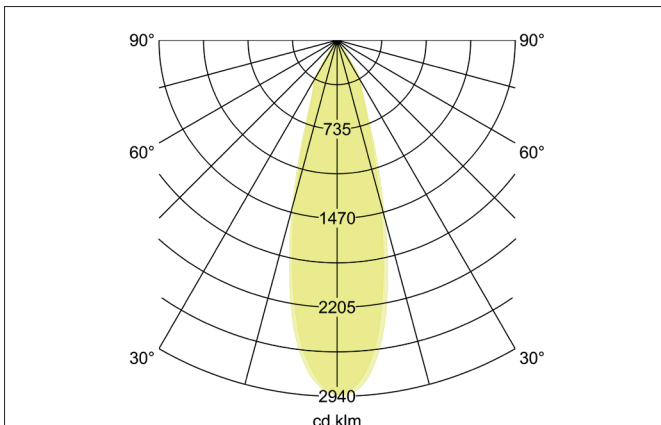
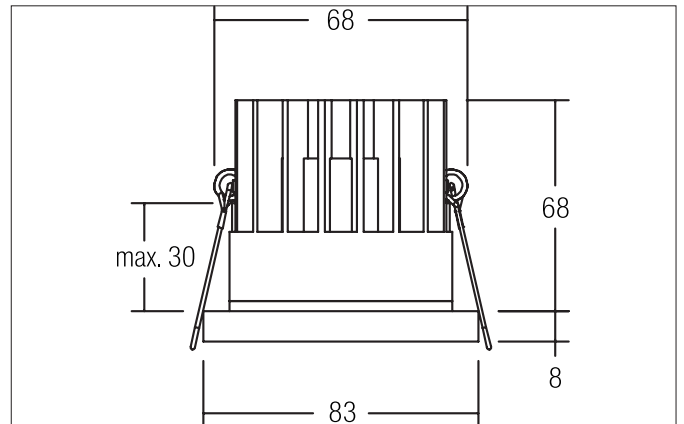
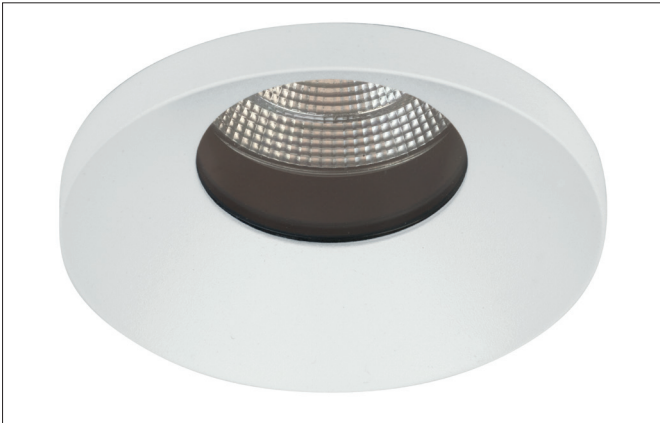


**WANETA LED recessed downlight, IP54**

Article no. 12270174

**Tender**

LED recessed downlight, IP54, Round. Toolless ceiling installation by installation springs. Ceiling cut-out Ø 68 mm, Installation depth 68 mm, Outer diameter 83 mm, Weight 0,238 kg, Reflector silver with rotationssymmetrical, deep, wide distributed light intensity. Cover glass transparent. Luminous flux 840 lm, Power 1 x 9,2 W, Light colour neutral white, Correlated color temperature (CCT) 4.000 K, Colour rendering index CRI > 80, Housing material: Aluminium / Glass, Colour: white structure, Permissible ambient temperature (ta): -20 °C up to +25 °C, Protection class (EN 61140): III, Degree of protection (DIN EN 60529): IP54. For connection to an external driver, which is not included in the scope of delivery of the luminaire. Depending on driver dimmable.

**Product Benefits**

- Einbaudownlight in Schutzart IP54 (bei Einbau in geschlossenen Decken).
- Vertiefter Lichtaustritt.
- Abdeckung inklusive Klarglas über Bajonett befestigt.
- Standard-Deckenausschnitt 68 mm.
- Projektbezogen auch in 2.700 K und TunableWhite (2.700 K bis 6.500 K) lieferbar.


**WANETA LED recessed downlight, IP54**

Article no. 12270174

Article data	
Article no.	12270174
GTIN	4251433905943
Series name	WANETA
Short description	LED recessed downlight, IP54
Material	Aluminium / Glass
Colour	white structure
Type of surface	Structure
Shape	Round
Outer diameter	83 mm
Built-in diameter min.	68 mm
Built-in diameter max.	68 mm
Installation depth	68 mm
Hight	8 mm
Weight	0.238 kg
D licence plate	No
Conformance	CE, UKCA

Lighting technology	
Colour temperature	4.000 K
Light output	Direct
Luminous flux	840 lm
System efficiency	91 lm/W
Colour rendering	CRI > 80
Reflector	Faceted
Reflector colour	silver
Beam angle	38°
Light sharing	Symmetric
Adjustable color temperature	No

Operating technology of the luminaire	
Voltage type	DC
Current	500 mA
Lamp	LED
Protection class	III
Protection class on the ceiling side	IP20
Degree of protection	IP54
Dimmable	Depending on type of control gear
Control	Depending on driver
Bulb change possible	The light source of this luminaire may only be replaced by the manufacturer or a service technician commissioned by him or a similarly qualified person.
Energy efficiency class	not required

Mounting technology	
Mounting method	Recessed mounting
Place of installation	Ceiling-mounted
Adjustability	Not adjustable
Max. ceiling thickness	30 mm
Further references	No cover with thermal insulation material
Material cover	Glass transparent


**WANETA LED recessed downlight, IP54**

Article no. 12270174

Packing data	
Gross weight	0.288 kg
Length of packaging	100 mm
Packaging width	100 mm
Packaging height	100 mm
Disposal at end of life	<p>This product must not be disposed of with household waste. You are obliged, to dispose of such electrical waste separately.</p> <p>By disposing of electrical waste and other old or defective electronics separately, you support recycling or other forms of re-use. In that way you help to take care and to avoid that harmful substances get into the environment.</p>

Required accessories	
Article no.: 17823010 LED converter 500 mA, on/off switchable Power: 1 - 22 W, ohne Konfektionierung Dimensions: 146.5 mm x 43.5 mm x 30 mm <a href="https://www.brumberg.com/fileadmin/products/Datenblatt_17823010_2021_DE.pdf">https://www.brumberg.com/fileadmin/products/Datenblatt_17823010_2021_DE.pdf</a>	
Article no.: 17822010 LED converter 500 mA, trailing-edge phase dimmable Power: 8 - 20 W, ohne Konfektionierung Dimensions: 110.5 mm x 52 mm x 22 mm <a href="https://www.brumberg.com/fileadmin/products/Datenblatt_17822010_2021_DE.pdf">https://www.brumberg.com/fileadmin/products/Datenblatt_17822010_2021_DE.pdf</a>	
Article no.: 17829010 LED converter 500 mA, trailing-edge phase dimmable Power: 1 - 24 W, ohne Konfektionierung Dimensions: 166 mm x 46 mm x 34 mm <a href="https://www.brumberg.com/fileadmin/products/Datenblatt_17829010_2021_DE.pdf">https://www.brumberg.com/fileadmin/products/Datenblatt_17829010_2021_DE.pdf</a>	
Article no.: 17824010 LED converter 500 mA, 1-10V dimmable (analog) Power: 5 - 27 W, ohne Konfektionierung Dimensions: 146.5 mm x 43.5 mm x 30 mm <a href="https://www.brumberg.com/fileadmin/products/Datenblatt_17824010_2021_DE.pdf">https://www.brumberg.com/fileadmin/products/Datenblatt_17824010_2021_DE.pdf</a>	
Article no.: 17826010 LED converter 500 mA, DALI dimmable (digital) Power: 5 - 27 W, ohne Konfektionierung Dimensions: 146.5 mm x 44 mm x 30 mm <a href="https://www.brumberg.com/fileadmin/products/Datenblatt_17826010_2021_DE.pdf">https://www.brumberg.com/fileadmin/products/Datenblatt_17826010_2021_DE.pdf</a>	

**WANETA LED recessed downlight, IP54**

Article no. 12270174

**Optional accessories**

Article no.: 83330000

Connection box 230 V AC, 3-pole

Dimensions: 85 mm x 35 mm x 30 mm

[https://www.brumberg.com/fileadmin/products/Datenblatt\\_83330000\\_2021\\_DE.pdf](https://www.brumberg.com/fileadmin/products/Datenblatt_83330000_2021_DE.pdf)

Article no.: 83331000

Connection box 230 V AC, 5-pole (DALI / 1-10 V)

Dimensions: 90 mm x 52 mm x 30 mm

[https://www.brumberg.com/fileadmin/products/Datenblatt\\_83331000\\_2021\\_DE.pdf](https://www.brumberg.com/fileadmin/products/Datenblatt_83331000_2021_DE.pdf)

Article no.: 81201170

Reducing ring D 110 mm, for luminaire cut-out size 68 mm

Dimensions: 110 mm

[https://www.brumberg.com/fileadmin/products/Datenblatt\\_81201170\\_2021\\_DE.pdf](https://www.brumberg.com/fileadmin/products/Datenblatt_81201170_2021_DE.pdf)

Article no.: 81202170

Reducing ring D 130 mm, for luminaire cut-out size 68 mm

Dimensions: 130 mm

[https://www.brumberg.com/fileadmin/products/Datenblatt\\_81202170\\_2021\\_DE.pdf](https://www.brumberg.com/fileadmin/products/Datenblatt_81202170_2021_DE.pdf)

Article no.: 81203170

Reducing ring D 145 mm, for luminaire cut-out size 68 mm

Dimensions: 145 mm

[https://www.brumberg.com/fileadmin/products/Datenblatt\\_81203170\\_2021\\_DE.pdf](https://www.brumberg.com/fileadmin/products/Datenblatt_81203170_2021_DE.pdf)