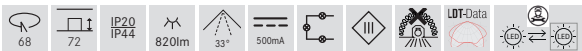
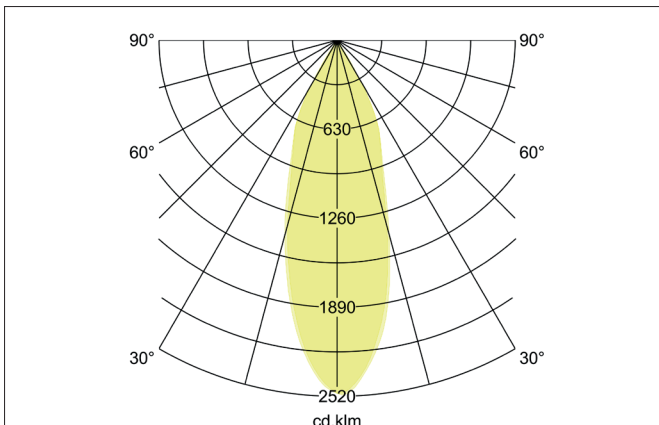
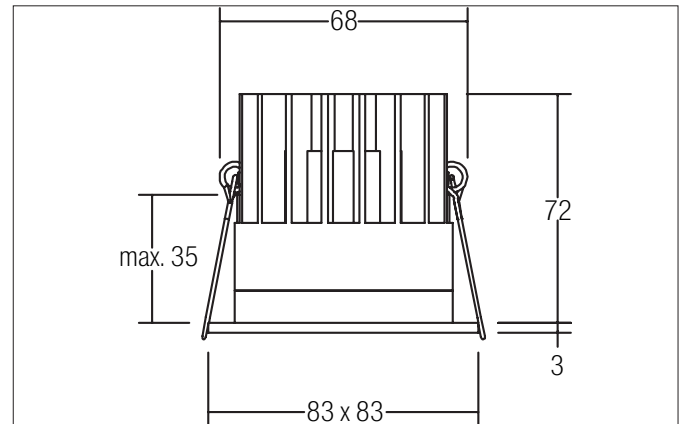



ALTERO-S LED recessed downlight, IP44

Article no. 12036183


Tender

LED recessed downlight, IP44, Square. Toolless ceiling installation by installation springs. Ceiling cut-out \varnothing 68 mm, Installation depth 72 mm, Outer diameter 83 mm, Weight 0,274 kg, Reflector silver with rotationssymmetrical, deep, wide distributed light intensity. Cover glass transparent. Luminous flux 820 lm, Power 1 x 9,2 W, Light colour warm white, Correlated color temperature (CCT) 3.000 K, Colour rendering index CRI > 80, Housing material: Aluminium / Glass / Plastic, Colour: black structure, Permissible ambient temperature (ta): -20 °C up to +25 °C, Protection class (EN 61140): III, Degree of protection (DIN EN 60529): IP44. For connection to an external driver, which is not included in the scope of delivery of the luminaire. Depending on driver dimmable.

Product Benefits

- Modular product series with a wide range of colors.
- For flexible lighting solutions for changing room concepts from neutral to accentuated.
- Available in the color temperatures 3,000 K and 4,000 K and dim2warm (3,000 K - 1,800 K), TunableWhite (2,700 K - 6,500 K) and 2,700 K.
- Standard ceiling cut-out 68 mm.
- Recessed light emission.
- Protection class IP44 for installation in closed ceilings.
- Also available in round version.


ALTERO-S LED recessed downlight, IP44

Article no. 12036183

Article data	
Article no.	12036183
GTIN	4251433937203
Series name	ALTERO-S
Short description	LED recessed downlight, IP44
Material	Aluminium / Glass / Plastic
Colour	black structure
Type of surface	Structure
Shape	Square
Outer diameter	83 mm
Length	83 mm
Width	83 mm
Built-in diameter min.	68 mm
Built-in diameter max.	68 mm
Installation depth	72 mm
Hight	3 mm
Weight	0.274 kg
D licence plate	No
Conformance	CE, UKCA

Lighting technology	
Colour temperature	3.000 K
Light colour	white
Light output	Direct
Luminous flux	820 lm
System efficiency	89 lm/W
Colour rendering	CRI > 80
Reflector	Faceted
Reflector colour	silver
Beam angle	33°
Light sharing	Symmetric
Adjustable color temperature	No

Operating technology of the luminaire	
System output	9.2 W
Voltage type	DC
Current	500 mA
Lamp	LED
Protection class	III
Protection class on the ceiling side	IP20
Degree of protection	IP44
Dimmable	Depending on type of control gear
Control	Depending on driver
Bulb change possible	The light source of this luminaire may only be replaced by the manufacturer or a service technician commissioned by him or a similarly qualified person.
Energy efficiency class	not required

Mounting technology	
Mounting method	Recessed mounting
Place of installation	Ceiling-mounted
Adjustability	Not adjustable
Max. ceiling thickness	35 mm
Further references	No cover with thermal insulation material
Material cover	Glass transparent


ALTERO-S LED recessed downlight, IP44

Article no. 12036183

Packing data	
Gross weight	0.324 kg
Length of packaging	100 mm
Packaging width	100 mm
Packaging height	100 mm
Disposal at end of life	<p>This product must not be disposed of with household waste. You are obliged, to dispose of such electrical waste separately.</p> <p>By disposing of electrical waste and other old or defective electronics separately, you support recycling or other forms of re-use. In that way you help to take care and to avoid that harmful substances get into the environment.</p>

Required accessories	
Article no.: 17823010	LED converter 500 mA, on/off switchable
Power: 1 - 22 W, ohne Konfektionierung	
Dimensions: 146.5 mm x 43.5 mm x 30 mm	
https://www.brumberg.com/fileadmin/products/Datenblatt_17823010_2021_DE.pdf	
Article no.: 17822010	LED converter 500 mA, trailing-edge phase dimmable
Power: 8 - 20 W, ohne Konfektionierung	
Dimensions: 110.5 mm x 52 mm x 22 mm	
https://www.brumberg.com/fileadmin/products/Datenblatt_17822010_2021_DE.pdf	
Article no.: 17829010	LED converter 500 mA, trailing-edge phase dimmable
Power: 1 - 24 W, ohne Konfektionierung	
Dimensions: 166 mm x 46 mm x 34 mm	
https://www.brumberg.com/fileadmin/products/Datenblatt_17829010_2021_DE.pdf	
Article no.: 17824010	LED converter 500 mA, 1-10V dimmable (analog)
Power: 5 - 27 W, ohne Konfektionierung	
Dimensions: 146.5 mm x 43.5 mm x 30 mm	
https://www.brumberg.com/fileadmin/products/Datenblatt_17824010_2021_DE.pdf	
Article no.: 17826010	LED converter 500 mA, DALI dimmable (digital)
Power: 5 - 27 W, ohne Konfektionierung	
Dimensions: 146.5 mm x 44 mm x 30 mm	
https://www.brumberg.com/fileadmin/products/Datenblatt_17826010_2021_DE.pdf	

Optional accessories	
Article no.: 83330000	Connection box 230 V AC, 3-pole
Dimensions: 85 mm x 35 mm x 30 mm	
https://www.brumberg.com/fileadmin/products/Datenblatt_83330000_2021_DE.pdf	
Article no.: 83331000	Connection box 230 V AC, 5-pole (DALI / 1-10 V)
Dimensions: 90 mm x 52 mm x 30 mm	
https://www.brumberg.com/fileadmin/products/Datenblatt_83331000_2021_DE.pdf	