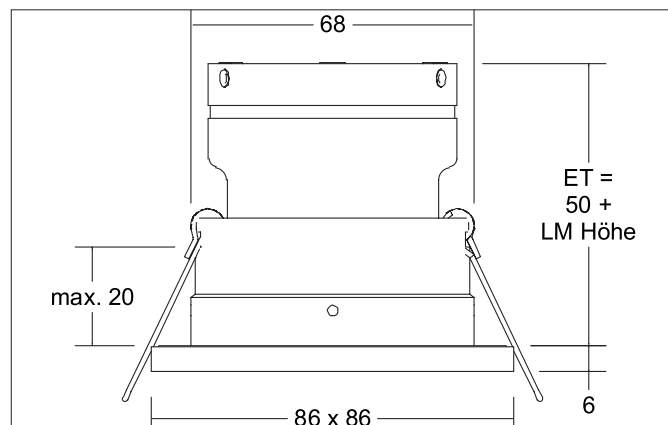



**STEAM-S Recessed downlight, V4A, IP54**

Article no. 37016420


**Tender**

Recessed downlight, V4A, IP54, stainless steel matt, Square. In a compact design, for installation in tool-less rapid assembly systems. Lamp holder: Without fitting, Mounting method: Recessed mounting, Place of installation: Ceiling-mounted, Material: Stainless Steel V4A / Aluminum / Nylon / Glass, Degree of protection: according to DIN EN 60529 IP54, Protection class: (EN 61140) III, Power: 13 W, Amount of light sources / fittings: 1 piece, Adjustability: Not adjustable, without control gear, Type of dimming: Depending on driver.

**Product Benefits**

- Sehr massiv ausgeführtes, quadratisches Downlight zur Bestückung mit LED-Modulen bis zu einer Leistung von max. 13 W.
- Schutzart IP54 (Federbefestigung).
- Hohe Ausführung.
- Das Leuchtmittel wird von der Rückseite her befestigt.
- Lieferbar in drei Farbausführungen und zwei Formen.
- Maximaltemperatur Befestigungsflächen: 90 °C.
- Maximaltemperatur Frontring: 110 °C.


**STEAM-S Recessed downlight, V4A, IP54**

Article no. 37016420

| Article data           |  |
|------------------------|--|
| Article no.            | 37016420                                       |
| GTIN                   | 4251433935896                                  |
| Series name            | STEAM-S  |
| Short description      | Recessed downlight, V4A, IP54                  |
| Material               | Stainless Steel V4A / Aluminum / Nylon / Glass |
| Colour                 | stainless steel matt                           |
| Type of surface        | Matt   |
| Shape                  | Square   |
| Length                 | 86 mm  |
| Width                  | 86 mm  |
| Built-in diameter min. | 68 mm  |
| Built-in diameter max. | 68 mm  |
| Installation depth     | 75 mm  |
| Hight                  | 6 mm   |
| Scope of delivery      | Incl. rear LED module holder and satined glass |
| Weight                 | 0.236 kg                                       |
| D licence plate        | No   |
| Conformance            | CE, UKCA                                       |

| Lighting technology          |           |
|------------------------------|-----------|
| Light output                 | Direct    |
| Light sharing                | Symmetric |
| Adjustable color temperature | No        |

| Operating technology of the luminaire |                     |
|---------------------------------------|---------------------|
| System output                         | 13 W                |
| Voltage type                          | DC                  |
| Lamp                                  | For LED             |
| Lamp holder                           | Without fitting     |
| Protection class                      | III                 |
| Protection class on the ceiling side  | IP20                |
| Degree of protection                  | IP54                |
| Ambient temperature                   | -20°C up to +90°C   |
| Control                               | Depending on driver |
| Energy efficiency class               | not required        |

| Mounting technology    |   |
|------------------------|---|
| Mounting method        | Recessed mounting   |
| Place of installation  | Ceiling-mounted   |
| Adjustability          | Not adjustable  |
| Max. ceiling thickness | 20 mm   |
| Further references     | V4A Outdoor No cover with thermal insulation material Smarthome |
| Material cover         | Glass, satinised  |
| Circlip                | Without circlip   |

| Packing data            |   |
|-------------------------|---|
| Gross weight            | 0.305 kg  |
| Length of packaging     | 100 mm  |
| Packaging width         | 90 mm   |
| Packaging hight         | 82 mm   |
| Disposal at end of life | This product must not be disposed of with household waste. You are obliged, to dispose of such electrical waste separately.<br>By disposing of electrical waste and other old or defective electronics separately, you support recycling or other forms of re-use. In that way you help to take care and to avoid that harmful substances get into the environment. |

**STEAM-S Recessed downlight, V4A, IP54**

Article no. 37016420

| Compatible LED-modu- |        |            |   |                  |  |         |                 |
|----------------------|--------|------------|---|------------------|--|---------|-----------------|
| Article no.          | Power  | Beam angle | Colour temperature  | Colour rendering |  | Input   | Hight LED-Modul |
| 12925003             | 3 W    | 38°        | 2.700 K   | CRI > 80         |  | 350 mA  | 40 mm           |
| 12926003             | 3 W    | 38°        | 3.000 K   | CRI > 80         |  | 350 mA  | 40 mm           |
| 12925004             | 3 W    | 38°        | 4.000 K   | CRI > 80         |  | 350 mA  | 40 mm           |
| 12923383             | 6 W    | 38°        | 2.700 K   | CRI > 80         |  | 350 mA  | 32 mm           |
| 12923603             | 6 W    | 60°        | 2.700 K   | CRI > 80         |  | 350 mA  | 32 mm           |
| 12927383             | 6 W    | 38°        | 2.700 K   | CRI > 90         |  | 350 mA  | 32 mm           |
| 12924383             | 6 W    | 38°        | 3.000 K   | CRI > 80         |  | 350 mA  | 32 mm           |
| 12924603             | 6 W    | 60°        | 3.000 K   | CRI > 80         |  | 350 mA  | 32 mm           |
| 12928383             | 6 W    | 38°        | 3.000 K   | CRI > 90         |  | 350 mA  | 32 mm           |
| 12924384             | 6 W    | 38°        | 3.500 K   | CRI > 80         |  | 350 mA  | 32 mm           |
| 12924604             | 6 W    | 60°        | 3.500 K   | CRI > 80         |  | 350 mA  | 32 mm           |
| 12928384             | 6 W    | 38°        | 3.500 K   | CRI > 90         |  | 350 mA  | 32 mm           |
| 12923384             | 6 W    | 38°        | 4.000 K   | CRI > 80         |  | 350 mA  | 32 mm           |
| 12923604             | 6 W    | 60°        | 4.000 K   | CRI > 80         |  | 350 mA  | 32 mm           |
| 12927384             | 6 W    | 38°        | 4.000 K   | CRI > 90         |  | 350 mA  | 32 mm           |
| 12920183             | 6 W    | 18°        | 3.000 K   | CRI > 80         |  | 350 mA  | 31 mm           |
| 12920243             | 6 W    | 24°        | 3.000 K   | CRI > 80         |  | 350 mA  | 31 mm           |
| 12920003             | 6 W    | 38°        | 3.000 K   | CRI > 80         |  | 350 mA  | 31 mm           |
| 12920603             | 6 W    | 60°        | 3.000 K   | CRI > 80         |  | 350 mA  | 31 mm           |
| 12920184             | 6 W    | 18°        | 4.000 K   | CRI > 80         |  | 350 mA  | 31 mm           |
| 12920244             | 6 W    | 24°        | 4.000 K   | CRI > 80         |  | 350 mA  | 31 mm           |
| 12920004             | 6 W    | 38°        | 4.000 K   | CRI > 80         |  | 350 mA  | 31 mm           |
| 12920604             | 6 W    | 60°        | 4.000 K   | CRI > 80         |  | 350 mA  | 31 mm           |
| 12963383             | 6 W    | 38°        | 3.000 K - 1.800 K   | CRI > 90         |  | 350 mA  | 32 mm           |
| 12963603             | 6 W    | 60°        | 3.000 K - 1.800 K   | CRI > 90         |  | 350 mA  | 32 mm           |
| 12953003             | 12 W   | 38°        | 2.700 K   | CRI > 80         |  | 350 mA  | 70 mm           |
| 12954003             | 12 W   | 38°        | 3.000 K   | CRI > 80         |  | 350 mA  | 70 mm           |
| 12954004             | 12 W   | 38°        | 3.500 K   | CRI > 80         |  | 350 mA  | 70 mm           |
| 12953004             | 12 W   | 38°        | 4.000 K   | CRI > 80         |  | 350 mA  | 70 mm           |
| 12965003             | 12 W   | 38°        | 3.000 K - 1.800 K   | CRI > 90         |  | 350 mA  | 70 mm           |
| 12983003             | 12.5 W | 38°        | 3.000 K   | CRI > 97         |  | 350 mA  | 95 mm           |
| 12823003             | 8 W    | 60°        | 2.850 K   | CRI > 90         |  | 24.00 V | 50 mm           |
| 12845604             | 8 W    | 60°        | 2.700 K - 6.500 K   | CRI > 90         |  | 24.00 V | 52 mm           |
| 18438002             | 8 W    | 60°        | RGB+WW  | CRI > 90         |  | 24.00 V | 50 mm           |
| 12929503             | 6.3 W  | 50°        | 2.700 K / 3.000 K / 4.000 K                                 | CRI > 80         |  | 350 mA  | 34 mm           |
| 12930503             | 5.9 W  | 50°        | 2.700 K / 3.000 K / 4.000 K                                 | CRI > 90         |  | 350 mA  | 34 mm           |
| 12933553             | 6 W    | 55°        | 2.700 K / 3.000 K / 4.000 K + dim-2warm (3.000 K - 2.200 K) | CRI > 90         |  | 350 mA  | 32 mm           |