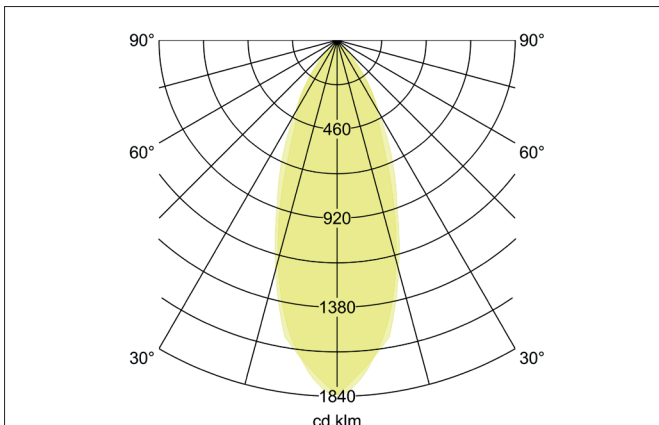
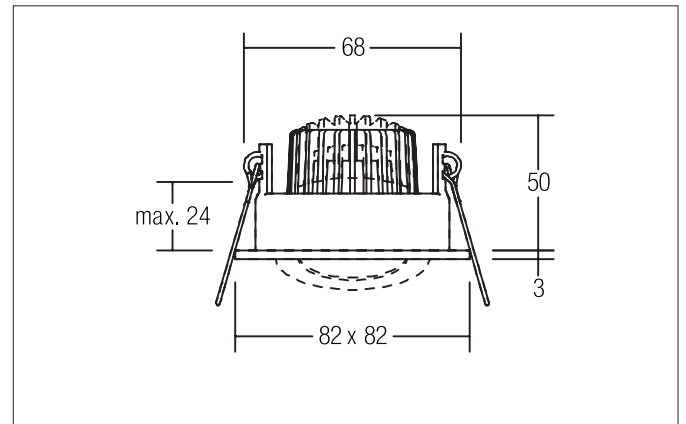



**MAIGA-S LED recessed spot, IP65, dim2warm**  
 Article no. 12445023

**Tender**

LED recessed spot, IP65, dim2warm, Square. Toolless ceiling installation by installation springs. Ceiling cut-out Ø 68 mm, Installation depth 50 mm, Length 82 mm, Width 82 mm, Weight 0,177 kg, Reflector silver with rotationssymmetrical, deep, wide distributed light intensity. Cover plastic, transparent Luminous flux 460 lm, Power 1 x 6 W, Light colour warm white to warm white, Correlated color temperature (CCT) 3.000 K - 1.800 K, Colour rendering index CRI > 90, Housing material: Aluminium / Steel / Silicone rubber / Polycarbonate, Colour: chrome glossy, Permissible ambient temperature (ta): -20 °C up to +25 °C, Protection class (EN 61140): III, Degree of protection (DIN EN 60529): IP65. For connection to an external driver, which is not included in the scope of delivery of the luminaire. Depending on driver dimmable.

**Product Benefits**

- In klassischer Bauform mit IP-Schutz zwischen Decke und Einbauring UND rückseitig mit Silikondichtungen.
- Einbaumaß 68 mm, Einbautiefe 50 mm, Länge 82 mm, Breite 82 mm.
- Ausführung dim2warm: wird die Leuchte gedimmt, verringert sich die Farbtemperatur auf minimal 1.800 K.
- Auch verfügbar als Strahler ohne Konverter 3.000 K (zur Konverterauswahl nach Wunsch) und als schaltbares und dimmbares Set (Phasenabschnitt).
- In gleichen Oberflächen- und Farbausführungen in runder Ausführung lieferbar.


**MAIGA-S LED recessed spot, IP65, dim2warm**

Article no. 12445023

Article data	
Article no.	12445023
GTIN	4251433914372
Series name	MAIGA-S
Short description	LED recessed spot, IP65, dim2warm
Material	Aluminium / Steel / Silicone rubber / Polycarbonate
Colour	chrome glossy
Type of surface	Glossy
Shape	Square
Length	82 mm
Width	82 mm
Built-in diameter min.	67 mm
Built-in diameter max.	68 mm
Installation depth	50 mm
Hight	3 mm
Weight	0.177 kg
D licence plate	No
Conformance	CE, UKCA

Lighting technology	
Colour temperature	3.000 K - 1.800 K
Light colour	white
Color Temperature 1	3,000 K
Light output	Direct
Luminous flux	460 lm
Luminous flux 1	460 lm
System efficiency	77 lm/W
Colour rendering	CRI > 90
Reflector	Faceted
Reflector colour	silver
Beam angle	38°
Light sharing	Symmetric
Adjustable color temperature	Infinite control

Operating technology of the luminaire	
System output	6 W
Voltage type	DC
Current	350 mA
Lamp	LED
Lamp holder	Plug&Play
Protection class	III
Protection class on the ceiling side	IP20
Degree of protection	IP65
Dimmable	Depending on type of control gear
Control	Depending on driver
Bulb change possible	The light source of this luminaire may only be replaced by the manufacturer or a service technician commissioned by him or a similarly qualified person.
Energy efficiency class	not required

Mounting technology	
Mounting method	Recessed mounting
Place of installation	Ceiling-mounted
Adjustability	Pivoted
Swivel angle	30°
Max. ceiling thickness	24 mm
Further references	No cover with thermal insulation material
Material cover	Plastic, transparent

**MAIGA-S LED recessed spot, IP65, dim2warm**  
Article no. 12445023

Packing data	
Gross weight	0.209 kg
Length of packaging	105 mm
Packaging width	60 mm
Packaging height	90 mm
Disposal at end of life	<p>This product must not be disposed of with household waste. You are obliged, to dispose of such electrical waste separately.</p> <p>By disposing of electrical waste and other old or defective electronics separately, you support recycling or other forms of re-use. In that way you help to take care and to avoid that harmful substances get into the environment.</p>


**MAIGA-S LED recessed spot, IP65, dim2warm**

Article no. 12445023

Required accessories
Article no.: 17663000 LED converter 350 mA, trailing-edge phase dimmable Power: 2,8 - 7 W, Plug&Play Dimensions: 110 mm x 50 mm x 19 mm <a href="https://www.brumberg.com/fileadmin/products/Datenblatt_17663000_2021_DE.pdf">https://www.brumberg.com/fileadmin/products/Datenblatt_17663000_2021_DE.pdf</a>
Article no.: 17663020 LED converter 350 mA, trailing-edge phase dimmable Power: 2,8 - 7 W, Plug&Play + Anschlussbox Dimensions: 110 mm x 50 mm x 19 mm <a href="https://www.brumberg.com/fileadmin/products/Datenblatt_17663020_2021_DE.pdf">https://www.brumberg.com/fileadmin/products/Datenblatt_17663020_2021_DE.pdf</a>
Article no.: 17652000 LED-round converter 350 mA, trailing-edge phase dimmer Power: 4,9 - 7 W, Plug&Play Dimensions: 51 mm x 24 mm <a href="https://www.brumberg.com/fileadmin/products/Datenblatt_17652000_2021_DE.pdf">https://www.brumberg.com/fileadmin/products/Datenblatt_17652000_2021_DE.pdf</a>
Article no.: 17652020 LED-round converter 350 mA, trailing-edge phase dimmer Power: 4,9 - 7 W, Plug&Play + Anschlussbox Dimensions: 51 mm x 24 mm <a href="https://www.brumberg.com/fileadmin/products/Datenblatt_17652020_2021_DE.pdf">https://www.brumberg.com/fileadmin/products/Datenblatt_17652020_2021_DE.pdf</a>
Article no.: 17640000 LED converter 350 mA, trailing-edge phase dimmable Power: 4,2 - 10 W, Plug&Play Dimensions: 102 mm x 38 mm x 21 mm <a href="https://www.brumberg.com/fileadmin/products/Datenblatt_17640000_2021_DE.pdf">https://www.brumberg.com/fileadmin/products/Datenblatt_17640000_2021_DE.pdf</a>
Article no.: 17640020 LED converter 350 mA, trailing-edge phase dimmable Power: 4,2 - 10 W, Plug&Play + Anschlussbox Dimensions: 102 mm x 38 mm x 21 mm <a href="https://www.brumberg.com/fileadmin/products/Datenblatt_17640020_2021_DE.pdf">https://www.brumberg.com/fileadmin/products/Datenblatt_17640020_2021_DE.pdf</a>
Article no.: 17657000 LED converter 350 mA, 1-10 V dimmable (analog) Power: 5,2 - 18 W, Plug&Play Dimensions: 110 mm x 52 mm x 22 mm <a href="https://www.brumberg.com/fileadmin/products/Datenblatt_17657000_2021_DE.pdf">https://www.brumberg.com/fileadmin/products/Datenblatt_17657000_2021_DE.pdf</a>
Article no.: 17684000 LED converter 350 mA, DALI dimmable (digital) Power: 2,8 - 7 W, Plug&Play Dimensions: 130 mm x 42 mm x 22 mm <a href="https://www.brumberg.com/fileadmin/products/Datenblatt_17684000_2021_DE.pdf">https://www.brumberg.com/fileadmin/products/Datenblatt_17684000_2021_DE.pdf</a>
Article no.: 17684020 LED converter 350 mA, DALI dimmable (digital) Power: 2,8 - 7 W, Plug&Play + Anschlussbox Dimensions: 130 mm x 42 mm x 22 mm <a href="https://www.brumberg.com/fileadmin/products/Datenblatt_17684020_2021_DE.pdf">https://www.brumberg.com/fileadmin/products/Datenblatt_17684020_2021_DE.pdf</a>
Article no.: 17658000 LED round converter 350 mA, DALI dimmable (digital) Power: 2,1 - 9 W, Plug&Play Dimensions: 56 mm x 25 mm <a href="https://www.brumberg.com/fileadmin/products/Datenblatt_17658000_2021_DE.pdf">https://www.brumberg.com/fileadmin/products/Datenblatt_17658000_2021_DE.pdf</a>


**MAIGA-S LED recessed spot, IP65, dim2warm**

Article no. 12445023

Required accessories
Article no.: 17658020 LED round converter 350 mA, DALI dimmable (digital) Power: 2,1 - 9 W, Plug&Play + Anschlussbox Dimensions: 56 mm x 25 mm <a href="https://www.brumberg.com/fileadmin/products/Datenblatt_17658020_2021_DE.pdf">https://www.brumberg.com/fileadmin/products/Datenblatt_17658020_2021_DE.pdf</a>
Article no.: 17683000 LED converter 350 mA, DALI dimmable (digital) Power: 3,5 - 17 W, Plug&Play Dimensions: 110.5 mm x 52 mm x 22 mm <a href="https://www.brumberg.com/fileadmin/products/Datenblatt_17683000_2021_DE.pdf">https://www.brumberg.com/fileadmin/products/Datenblatt_17683000_2021_DE.pdf</a>
Article no.: 17683020 LED converter 350 mA, DALI dimmable (digital) Power: 3,5 - 17 W, Plug&Play + Anschlussbox Dimensions: 110.5 mm x 52 mm x 22 mm <a href="https://www.brumberg.com/fileadmin/products/Datenblatt_17683020_2021_DE.pdf">https://www.brumberg.com/fileadmin/products/Datenblatt_17683020_2021_DE.pdf</a>
Article no.: 17671000 LED converter 350mA, ZigBee dimmable Power: 3,5 - 18,5 W, Plug&Play Dimensions: 146.5 mm x 44 mm x 30 mm <a href="https://www.brumberg.com/fileadmin/products/Datenblatt_17671000_2021_DE.pdf">https://www.brumberg.com/fileadmin/products/Datenblatt_17671000_2021_DE.pdf</a>
Article no.: 17671020 LED converter 350mA, ZigBee dimmable Power: 3,5 - 18,5 W, Plug&Play + Anschlussbox Dimensions: 146.5 mm x 44 mm x 30 mm <a href="https://www.brumberg.com/fileadmin/products/Datenblatt_17671020_2021_DE.pdf">https://www.brumberg.com/fileadmin/products/Datenblatt_17671020_2021_DE.pdf</a>
Article no.: 17672000 LED converter 350mA, Casambi dimmable Power: 3,5 - 18,5 W, Plug&Play Dimensions: 146.5 mm x 44 mm x 30 mm <a href="https://www.brumberg.com/fileadmin/products/Datenblatt_17672000_2021_DE.pdf">https://www.brumberg.com/fileadmin/products/Datenblatt_17672000_2021_DE.pdf</a>
Article no.: 17672020 LED converter 350mA, Casambi dimmable Power: 3,5 - 18,5 W, Plug&Play + Anschlussbox Dimensions: 146.5 mm x 44 mm x 30 mm <a href="https://www.brumberg.com/fileadmin/products/Datenblatt_17672020_2021_DE.pdf">https://www.brumberg.com/fileadmin/products/Datenblatt_17672020_2021_DE.pdf</a>
Optional accessories
Article no.: 3835 Plug&Play extension cable 350 mA  Dimensions: 500 mm <a href="https://www.brumberg.com/fileadmin/products/Datenblatt_00003835_2021_DE.pdf">https://www.brumberg.com/fileadmin/products/Datenblatt_00003835_2021_DE.pdf</a>
Article no.: 3836 Plug&Play extension cable 350 mA  Dimensions: 1,000 mm <a href="https://www.brumberg.com/fileadmin/products/Datenblatt_00003836_2021_DE.pdf">https://www.brumberg.com/fileadmin/products/Datenblatt_00003836_2021_DE.pdf</a>
Article no.: 3837 Plug&Play extension cable 350 mA  Dimensions: 2,000 mm <a href="https://www.brumberg.com/fileadmin/products/Datenblatt_00003837_2021_DE.pdf">https://www.brumberg.com/fileadmin/products/Datenblatt_00003837_2021_DE.pdf</a>