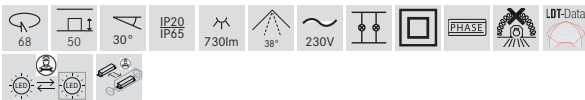
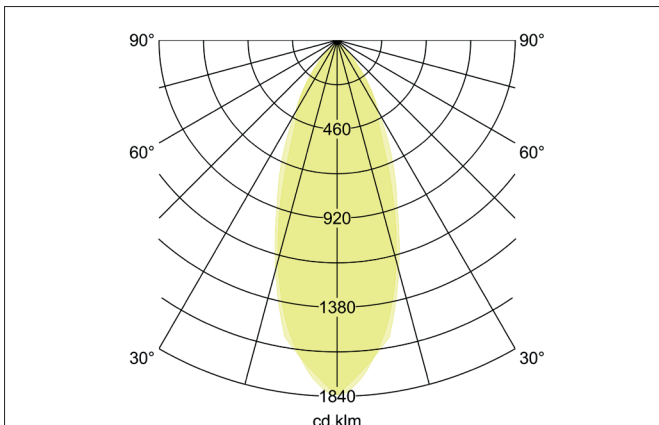
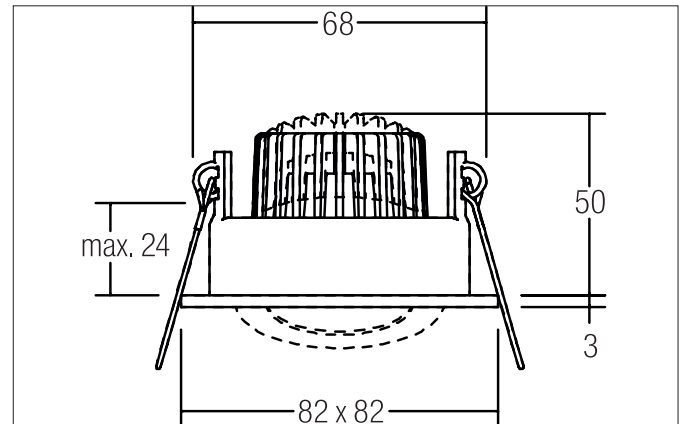



DAMITA-S LED recessed spot set, IP65, trailing-edge phase dimmable

Article no. 39355083


Tender

LED recessed spot set, IP65, trailing-edge phase dimmable, Square. Toolless ceiling installation by installation springs. Ceiling cut-out \varnothing 68 mm, Installation depth 50 mm, Length 82 mm, Width 82 mm, Weight 0,219 kg, Reflector silver with rotationssymmetrical, deep, wide distributed light intensity. Cover plastic, transparent Luminous flux 730 lm, Power 1 x 6 W, Light colour warm white, Correlated color temperature (CCT) 3.000 K, Colour rendering index CRI > 80, Rated life time L80/B20 at 25 °C: 50.000 h, Housing material: Aluminium / Steel / Silicone rubber / Polycarbonate, Colour: black matt, Permissible ambient temperature (ta): -20 °C up to +25 °C, Protection class (EN 61140): II, Degree of protection (DIN EN 60529): IP65. With electronic driver, Trailing-edge phase dimmable.

Product Benefits

- In klassischer Bauform mit IP-Schutz zwischen Decke und Einbauring UND rückseitig mit Silikondichtungen.
- Dimmbare Ausführung (Phasenabschnitt).
- Einbaumaß 68 mm, Einbautiefe 50 mm, Länge 82 mm, Breite 82 mm.
- Auch verfügbar als Leuchte ohne Konverter (zur individuellen Konverterauswahl) und als schaltbares Set.
- In gleichen Oberflächen- und Farbausführungen in runder Ausführung lieferbar.


DAMITA-S LED recessed spot set, IP65, trailing-edge phase dimmable

Article no. 39355083

| Article data | |
|------------------------|---|
| Article no. | 39355083 |
| GTIN | 4251433939115 |
| Series name | DAMITA-S |
| Short description | LED recessed spot set, IP65, trailing-edge phase dimmable |
| Material | Aluminium / Steel / Silicone rubber / Polycarbonate |
| Colour | black matt |
| Type of surface | Matt |
| Shape | Square |
| Length | 82 mm |
| Width | 82 mm |
| Built-in diameter min. | 67 mm |
| Built-in diameter max. | 68 mm |
| Installation depth | 50 mm |
| Hight | 3 mm |
| Weight | 0.219 kg |
| D licence plate | No |
| Conformance | CE, UKCA |

| Lighting technology | |
|------------------------------|-----------|
| Colour temperature | 3.000 K |
| Light colour | white |
| Light output | Direct |
| Luminous flux | 730 lm |
| System efficiency | 122 lm/W |
| Colour rendering | CRI > 80 |
| Reflector | Faceted |
| Reflector colour | silver |
| Beam angle | 38° |
| Light sharing | Symmetric |
| Adjustable color temperature | No |

| Operating technology of the luminaire | |
|---------------------------------------|--|
| System output | 6 W |
| Voltage type | AC |
| AC nominal voltage max | 230 V |
| Frequency max | 50 Hz |
| Lamp | LED |
| Lamp holder | Without fitting |
| Protection class | II |
| Protection class on the ceiling side | IP20 |
| Degree of protection | IP65 |
| Dimmable | Yes |
| Control | Trailing-edge phase |
| Bulb change possible | The light source of this luminaire may only be replaced by the manufacturer or a service technician commissioned by him or a similarly qualified person. |
| Rated life time L80/B20 at 25 °C | 50.000 h |
| Energy efficiency class | not required |

| Mounting technology | |
|------------------------|---|
| Mounting method | Recessed mounting |
| Place of installation | Ceiling-mounted |
| Adjustability | Pivoted |
| Swivel angle | 30° |
| Max. ceiling thickness | 24 mm |
| Further references | No cover with thermal insulation material |
| Material cover | Plastic, transparent |

**BRUMBERG**

Light. Since 1873.

DAMITA-S LED recessed spot set, IP65, trailing-edge phase dimmable

Article no. 39355083

| Packing data | |
|-------------------------|---|
| Gross weight | 0.269 kg |
| Length of packaging | 95 mm |
| Packaging width | 75 mm |
| Packaging height | 95 mm |
| Disposal at end of life | This product must not be disposed of with household waste. You are obliged, to dispose of such electrical waste separately. By disposing of electrical waste and other old or defective electronics separately, you support recycling or other forms of re-use. In that way you help to take care and to avoid that harmful substances get into the environment. |

| Optional accessories | |
|----------------------|---|
| Article no.: | 83330000 |
| Connection box | 230 V AC, 3-pole |
| Dimensions: | 85 mm x 35 mm x 30 mm |
| | https://www.brumberg.com/fileadmin/products/Datenblatt_83330000_2021_DE.pdf |