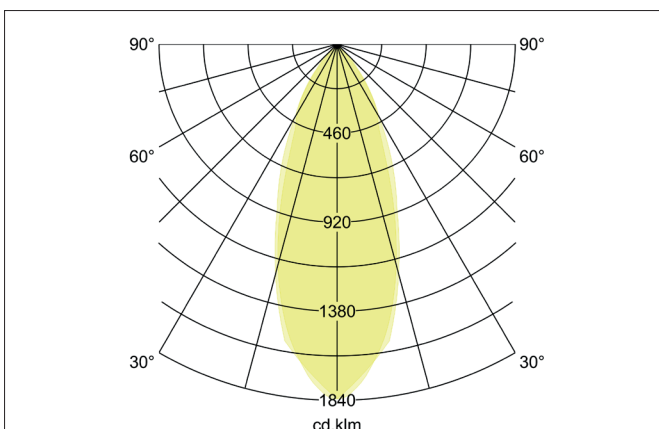
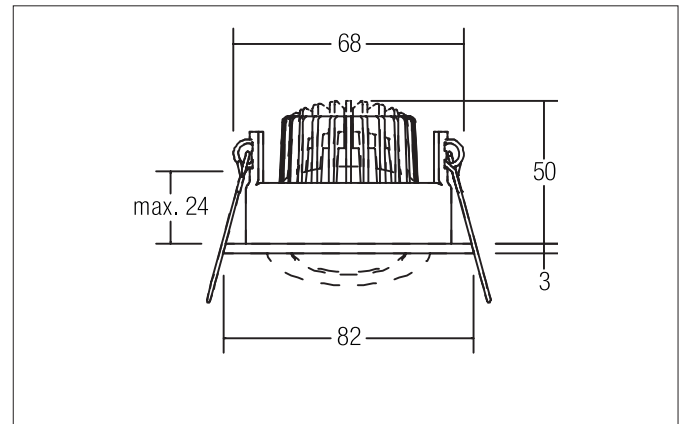



DAMITA-R LED recessed spot set, IP65, on/off switchable
 Article no. 33353023

Tender

LED recessed spot set, IP65, on/off switchable, Round. Toolless ceiling installation by installation springs. Ceiling cut-out Ø 68 mm, Installation depth 50 mm, Outer diameter 82 mm, Weight 0,216 kg, Reflector silver with rotationssymmetrical, deep, wide distributed light intensity. Cover plastic, transparent. Luminous flux 730 lm, Power 1 x 6 W, Light colour warm white, Correlated color temperature (CCT) 3.000 K, Colour rendering index CRI > 80, Rated life time L80/B20 at 25 °C: 50.000 h, Housing material: Aluminium / Steel / Silicone rubber / Polycarbonate, Colour: chrome glossy, Permissible ambient temperature (ta): -20 °C up to +25 °C, Protection class (EN 61140): II, Degree of protection (DIN EN 60529): IP65. With electronic driver, on/off switchable.

Product Benefits

- In klassischer Bauform mit IP-Schutz zwischen Decke und Einbauring UND rückseitig mit Silikondichtungen.
- Schaltbare Ausführung.
- Einbaumaß 68 mm, Einbautiefe 50 mm, Durchmesser 82 mm.
- Auch verfügbar als Leuchte ohne Konverter (zur individuellen Konverterauswahl) und als dimmbares Set (Phasenabschnitt).
- In gleichen Oberflächen- und Farbausführungen in quadratischer Ausführung lieferbar.


DAMITA-R LED recessed spot set, IP65, on/off switchable

Article no. 33353023

Article data	
Article no.	33353023
GTIN	4251433906810
Series name	DAMITA-R
Short description	LED recessed spot set, IP65, on/off switchable
Material	Aluminium / Steel / Silicone rubber / Polycarbonate
Colour	chrome glossy
Type of surface	Glossy
Shape	Round
Outer diameter	82 mm
Built-in diameter min.	67 mm
Built-in diameter max.	68 mm
Installation depth	50 mm
Hight	3 mm
Weight	0.216 kg
D licence plate	No
Conformance	CE, UKCA

Lighting technology	
Colour temperature	3.000 K
Light colour	white
Light output	Direct
Luminous flux	730 lm
System efficiency	122 lm/W
Colour rendering	CRI > 80
Reflector	Faceted
Reflector colour	silver
Beam angle	38°
Light sharing	Symmetric
Adjustable color temperature	No

Operating technology of the luminaire	
System output	6 W
Voltage type	AC
AC nominal voltage max	230 V
Current	350 mA
Frequency max	50 Hz
Lamp	LED
Protection class	II
Protection class on the ceiling side	IP20
Degree of protection	IP65
Dimmable	No
Control	on/off
Bulb change possible	The light source of this luminaire may only be replaced by the manufacturer or a service technician commissioned by him or a similarly qualified person.
Rated life time L80/B20 at 25 °C	50.000 h
Energy efficiency class	not required


DAMITA-R LED recessed spot set, IP65, on/off switchable
 Article no. 33353023

Operating technology of driver	
Article No. of used driver	32662020
AC nominal voltage min	220 V
AC nominal voltage max	240 V
Frequency max	50 Hz
Dimmable	No
Control	on/off
Power	5.2 W
Power	7 W
Degree of protection	IP20
Protection class	II

Mounting technology	
Mounting method	Recessed mounting
Place of installation	Ceiling-mounted
Adjustability	Pivoted
Swivel angle	30°
Max. ceiling thickness	24 mm
Further references	No cover with thermal insulation material
Material cover	Plastic, transparent

Packing data	
Gross weight	0.255 kg
Length of packaging	95 mm
Packaging width	75 mm
Packaging height	95 mm
Disposal at end of life	This product must not be disposed of with household waste. You are obliged, to dispose of such electrical waste separately. By disposing of electrical waste and other old or defective electronics separately, you support recycling or other forms of re-use. In that way you help to take care and to avoid that harmful substances get into the environment.

Optional accessories	
Article no.: 81204020 Reducing ring D 110 mm, for luminaire cut-out size 68 mm	https://www.brumberg.com/fileadmin/products/Datenblatt_81204020_2021_DE.pdf
Article no.: 81205020 Reducing ring D 130 mm, for luminaire cut-out size 68 mm	https://www.brumberg.com/fileadmin/products/Datenblatt_81205020_2021_DE.pdf
Article no.: 81206020 Reducing ring D 145 mm, for luminaire cut-out size 68 mm	https://www.brumberg.com/fileadmin/products/Datenblatt_81206020_2021_DE.pdf
Article no.: 83330000 Connection box 230 V AC, 3-pole	Dimensions: 85 mm x 35 mm x 30 mm https://www.brumberg.com/fileadmin/products/Datenblatt_83330000_2021_DE.pdf