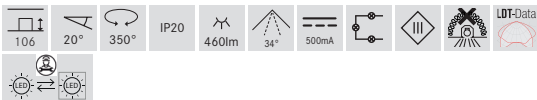
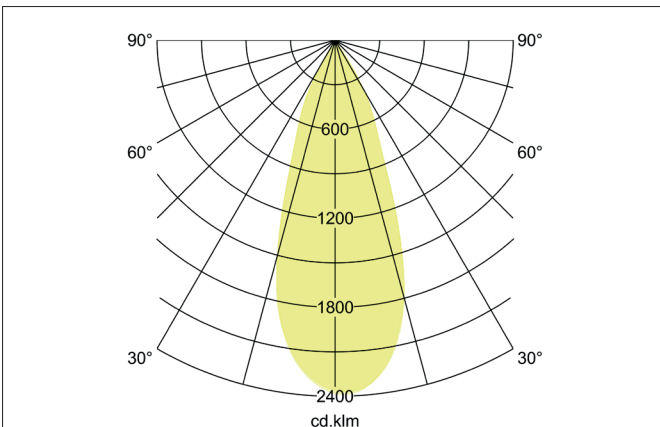
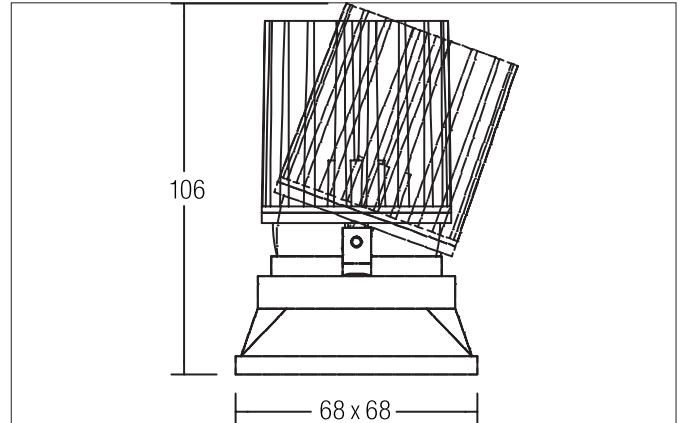




COUPLED-S LED-System-recessed spot, deepened, dim2warm
 Article no. 12643073



Tender
 LED-System-recessed spot, deepened, dim2warm, Square. Ceiling cut-out Installation depth 106 mm, Length 68 mm, Width 68 mm, Weight 0,188 kg, Reflector silver with rotationssymmetrical, deep, wide distributed light intensity. Cover plastic, transparent Luminous flux 25 - 460 lm, Power 1 x 9,4 W, Light colour warm white to warm white, Correlated color temperature (CCT) 3.000 K - 1.800 K, Colour rendering index CRI > 90, Housing material: Aluminium / Plastic, Colour: white matt, Permissible ambient temperature (ta): -20 °C up to +25 °C, Protection class (EN 61140): III, Degree of protection (DIN EN 60529): IP20. For connection to an external driver, which is not included in the scope of delivery of the luminaire. Depending on driver dimmable.

Product Benefits

- Modular product series.
- For flexible lighting solutions for changing room concepts.
- Available in the color temperatures 3,000 K and (swiveling versions) versions) in dim2warm (3,000 K - 1,800 K).
- Various luminaire brackets available (both with surrounding ring / frame as well as frameless versions).
- Recessed light emission.
- Rigid version: IP44 protection rating for installation in closed ceilings.
- Available in round and square.


COUPLED-S LED-System-recessed spot, deepened, dim2warm

Article no. 12643073

Article data	
Article no.	12643073
GTIN	4251433916161
Series name	COUPLED-S
Short description	LED-System-recessed spot, deepened, dim2warm
Material	Aluminium / Plastic
Colour	white matt
Type of surface	Matt
Shape	Square
Length	68 mm
Width	68 mm
Installation depth	106 mm
Weight	0.188 kg
D licence plate	No
Conformance	CE, UKCA

Lighting technology	
Colour temperature	3.000 K - 1.800 K
Light colour	white
Color Temperature 1	3,000 K
Color Temperature 2	1,800 K
Light output	Direct
Luminous flux	25 - 460 lm
Luminous flux 1	460 lm
Luminous flux 2	25 lm
System efficiency	49 lm/W
Colour rendering	CRI > 90
Reflector	Faceted
Reflector colour	silver
Beam angle	34°
Light sharing	Symmetric
Adjustable color temperature	Infinite control

Operating technology of the luminaire	
System output	9.4 W
Voltage type	DC
Current	500 mA
Lamp	LED
Protection class	III
Degree of protection	IP20
Dimmable	Depending on type of control gear
Control	Depending on driver
Bulb change possible	The light source of this luminaire may only be replaced by the manufacturer or a service technician commissioned by him or a similarly qualified person.
Energy efficiency class	not required

Mounting technology	
Mounting method	Recessed mounting
Place of installation	Ceiling-mounted
Adjustability	Rotable and pivoted
Swivel angle	20°
Rotation angle	350°
Further references	No cover with thermal insulation material
Material cover	Plastic, transparent
Suitable for through-wiring	Yes, with optional accessories


COUPLED-S LED-System-recessed spot, deepened, dim2warm

Article no. 12643073

Packing data	
Gross weight	0.26 kg
Length of packaging	105 mm
Packaging width	105 mm
Packaging height	130 mm
Disposal at end of life	This product must not be disposed of with household waste. You are obliged, to dispose of such electrical waste separately. By disposing of electrical waste and other old or defective electronics separately, you support recycling or other forms of re-use. In that way you help to take care and to avoid that harmful substances get into the environment.

Required accessories	
Article no.: 17822010 LED converter 500 mA, trailing-edge phase dimmable Power: 8 - 20 W, ohne Konfektionierung Dimensions: 110.5 mm x 52 mm x 22 mm https://www.brumberg.com/fileadmin/products/Datenblatt_17822010_2021_DE.pdf	
Article no.: 17829010 LED converter 500 mA, trailing-edge phase dimmable Power: 1 - 24 W, ohne Konfektionierung Dimensions: 166 mm x 46 mm x 34 mm https://www.brumberg.com/fileadmin/products/Datenblatt_17829010_2021_DE.pdf	
Article no.: 17824010 LED converter 500 mA, 1-10V dimmable (analog) Power: 5 - 27 W, ohne Konfektionierung Dimensions: 146.5 mm x 43.5 mm x 30 mm https://www.brumberg.com/fileadmin/products/Datenblatt_17824010_2021_DE.pdf	
Article no.: 17826010 LED converter 500 mA, DALI dimmable (digital) Power: 5 - 27 W, ohne Konfektionierung Dimensions: 146.5 mm x 44 mm x 30 mm https://www.brumberg.com/fileadmin/products/Datenblatt_17826010_2021_DE.pdf	
Article no.: 82040170 Recessed frame, square Dimensions: 83 mm x 83 mm x 3 mm https://www.brumberg.com/fileadmin/products/Datenblatt_82040170_2021_DE.pdf	
Article no.: 82041170 Double recessed frame, square Dimensions: 151 mm x 83 mm x 3 mm https://www.brumberg.com/fileadmin/products/Datenblatt_82041170_2021_DE.pdf	
Article no.: 82042170 Plaster frame, square, for frameless mounting Dimensions: 75 mm x 83 mm https://www.brumberg.com/fileadmin/products/Datenblatt_82042170_2021_DE.pdf	
Article no.: 82043170 Double plaster frame, square, for frameless mounting Dimensions: 143 mm x 83 mm https://www.brumberg.com/fileadmin/products/Datenblatt_82043170_2021_DE.pdf	



COUPLED-S LED-System-recessed spot, deepened, dim2warm
Article no. 12643073

Optional accessories

Article no.: 83330000

Connection box 230 V AC, 3-pole

Dimensions: 85 mm x 35 mm x 30 mm

https://www.brumberg.com/fileadmin/products/Datenblatt_83330000_2021_DE.pdf

Article no.: 83331000

Connection box 230 V AC, 5-pole (DALI / 1-10 V)

Dimensions: 90 mm x 52 mm x 30 mm

https://www.brumberg.com/fileadmin/products/Datenblatt_83331000_2021_DE.pdf