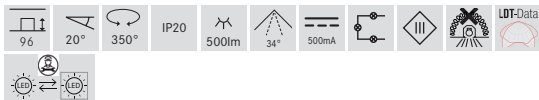
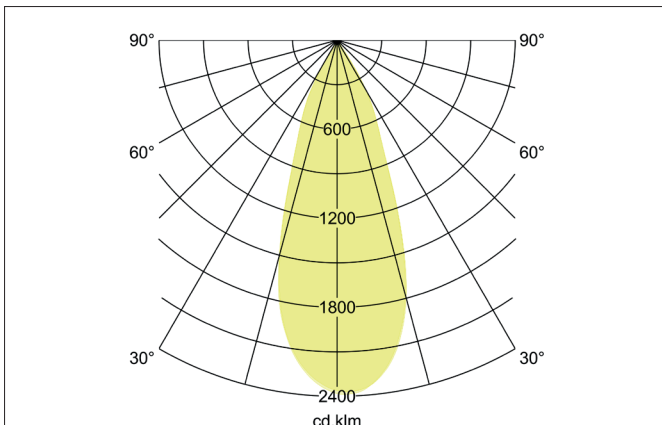
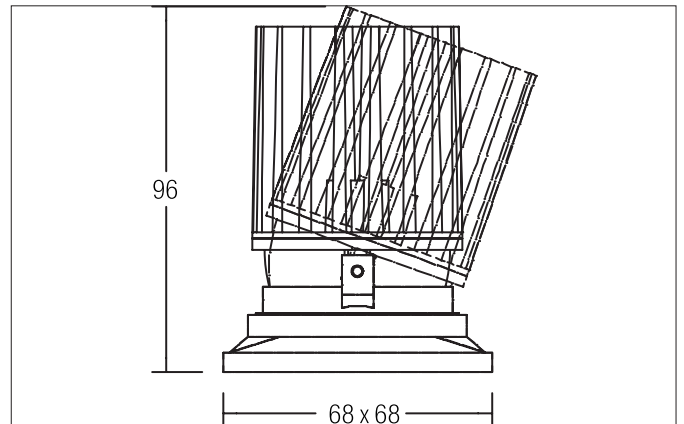




## COUPLED-S LED system recessed spot, dim2warm

Article no. 12644073



### Tender

LED system recessed spot, dim2warm, Square. Ceiling cut-out Installation depth 96 mm, Length 68 mm, Width 68 mm, Weight 0,187 kg, Reflector silver with rotationssymmetrical, deep, wide distributed light intensity. Cover plastic, transparent Luminous flux 16 - 500 lm, Power 1 x 9,4 W, Light colour warm white to warm white, Correlated color temperature (CCT) 3.000 K - 1.800 K, Colour rendering index CRI > 90, Housing material: Aluminium / Plastic, Colour: white matt, Permissible ambient temperature (ta): -20 °C up to +25 °C, Protection class (EN 61140): III, Degree of protection (DIN EN 60529): IP20. For connection to an external driver, which is not included in the scope of delivery of the luminaire. Depending on driver dimmable.

### Product Benefits

- Modular product series.
- For flexible lighting solutions for changing room concepts.
- Available in the color temperatures 3,000 K and (swiveling versions) in dim2warm (3,000 K - 1,800 K).
- Various luminaire brackets available (both with surrounding ring / frame as well as frameless versions).
- Recessed light emission.
- Rigid version: IP44 protection rating for installation in closed ceilings.
- Available in round and square.



## COUPLED-S LED system recessed spot, dim2warm

Article no. 12644073

Article data	
Article no.	12644073
GTIN	4251433916178
Series name	COUPLED-S
Short description	LED system recessed spot, dim2warm
Material	Aluminium / Plastic
Colour	white matt
Type of surface	Matt
Shape	Square
Length	68 mm
Width	68 mm
Installation depth	96 mm
Weight	0.187 kg
D licence plate	No
Conformance	CE, UKCA

Lighting technology	
Colour temperature	3.000 K - 1.800 K
Light colour	white
Color Temperature 1	3,000 K
Color Temperature 2	1,800 K
Light output	Direct
Luminous flux	16 - 500 lm
Luminous flux 1	500 lm
Luminous flux 2	16 lm
System efficiency	53 lm/W
Colour rendering	CRI > 90
Reflector	Faceted
Reflector colour	silver
Beam angle	34°
Light sharing	Symmetric
Adjustable color temperature	Infinite control

Operating technology of the luminaire	
System output	9.4 W
Voltage type	DC
Current	500 mA
Lamp	LED
Protection class	III
Degree of protection	IP20
Dimmable	Depending on type of control gear
Control	Depending on driver
Bulb change possible	The light source of this luminaire may only be replaced by the manufacturer or a service technician commissioned by him or a similarly qualified person.
Energy efficiency class	not required

Mounting technology	
Mounting method	Recessed mounting
Place of installation	Ceiling-mounted
Adjustability	Rotable and pivoted
Swivel angle	20°
Rotation angle	350°
Further references	No cover with thermal insulation material
Material cover	Plastic, transparent
Suitable for through-wiring	Yes, with optional accessories


**COUPLED-S LED system recessed spot, dim2warm**

Article no. 12644073

Packing data	
Gross weight	0.258 kg
Length of packaging	105 mm
Packaging width	105 mm
Packaging height	120 mm
Disposal at end of life	<p>This product must not be disposed of with household waste. You are obliged, to dispose of such electrical waste separately.</p> <p>By disposing of electrical waste and other old or defective electronics separately, you support recycling or other forms of re-use. In that way you help to take care and to avoid that harmful substances get into the environment.</p>

Required accessories	
Article no.: 17822010	LED converter 500 mA, trailing-edge phase dimmable Power: 8 - 20 W, ohne Konfektionierung Dimensions: 110.5 mm x 52 mm x 22 mm <a href="https://www.brumberg.com/fileadmin/products/Datenblatt_17822010_2021_DE.pdf">https://www.brumberg.com/fileadmin/products/Datenblatt_17822010_2021_DE.pdf</a>
Article no.: 17829010	LED converter 500 mA, trailing-edge phase dimmable Power: 1 - 24 W, ohne Konfektionierung Dimensions: 166 mm x 46 mm x 34 mm <a href="https://www.brumberg.com/fileadmin/products/Datenblatt_17829010_2021_DE.pdf">https://www.brumberg.com/fileadmin/products/Datenblatt_17829010_2021_DE.pdf</a>
Article no.: 17824010	LED converter 500 mA, 1-10V dimmable (analog) Power: 5 - 27 W, ohne Konfektionierung Dimensions: 146.5 mm x 43.5 mm x 30 mm <a href="https://www.brumberg.com/fileadmin/products/Datenblatt_17824010_2021_DE.pdf">https://www.brumberg.com/fileadmin/products/Datenblatt_17824010_2021_DE.pdf</a>
Article no.: 17826010	LED converter 500 mA, DALI dimmable (digital) Power: 5 - 27 W, ohne Konfektionierung Dimensions: 146.5 mm x 44 mm x 30 mm <a href="https://www.brumberg.com/fileadmin/products/Datenblatt_17826010_2021_DE.pdf">https://www.brumberg.com/fileadmin/products/Datenblatt_17826010_2021_DE.pdf</a>
Article no.: 82040170	Recessed frame, square  Dimensions: 83 mm x 83 mm x 3 mm <a href="https://www.brumberg.com/fileadmin/products/Datenblatt_82040170_2021_DE.pdf">https://www.brumberg.com/fileadmin/products/Datenblatt_82040170_2021_DE.pdf</a>
Article no.: 82041170	Double recessed frame, square  Dimensions: 151 mm x 83 mm x 3 mm <a href="https://www.brumberg.com/fileadmin/products/Datenblatt_82041170_2021_DE.pdf">https://www.brumberg.com/fileadmin/products/Datenblatt_82041170_2021_DE.pdf</a>
Article no.: 82042170	Plaster frame, square, for frameless mounting  Dimensions: 75 mm x 83 mm <a href="https://www.brumberg.com/fileadmin/products/Datenblatt_82042170_2021_DE.pdf">https://www.brumberg.com/fileadmin/products/Datenblatt_82042170_2021_DE.pdf</a>
Article no.: 82043170	Double plaster frame, square, for frameless mounting  Dimensions: 143 mm x 83 mm <a href="https://www.brumberg.com/fileadmin/products/Datenblatt_82043170_2021_DE.pdf">https://www.brumberg.com/fileadmin/products/Datenblatt_82043170_2021_DE.pdf</a>



**COUPLED-S LED system recessed spot, dim2warm**

Article no. 12644073

**Optional accessories**

Article no.: 83330000

Connection box 230 V AC, 3-pole

Dimensions: 85 mm x 35 mm x 30 mm

[https://www.brumberg.com/fileadmin/products/Datenblatt\\_83330000\\_2021\\_DE.pdf](https://www.brumberg.com/fileadmin/products/Datenblatt_83330000_2021_DE.pdf)

Article no.: 83331000

Connection box 230 V AC, 5-pole (DALI / 1-10 V)

Dimensions: 90 mm x 52 mm x 30 mm

[https://www.brumberg.com/fileadmin/products/Datenblatt\\_83331000\\_2021\\_DE.pdf](https://www.brumberg.com/fileadmin/products/Datenblatt_83331000_2021_DE.pdf)