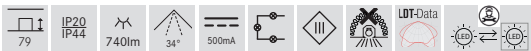
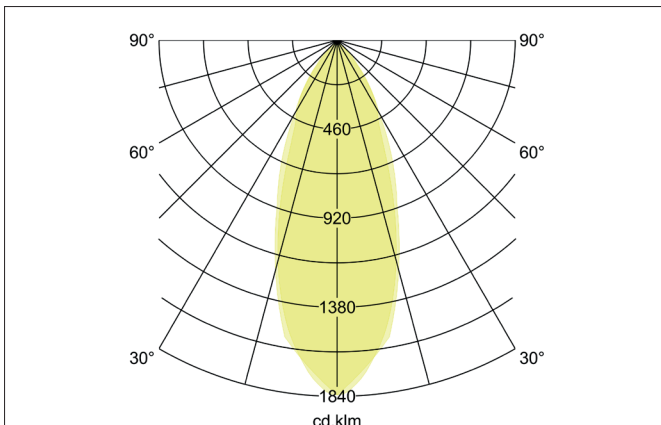
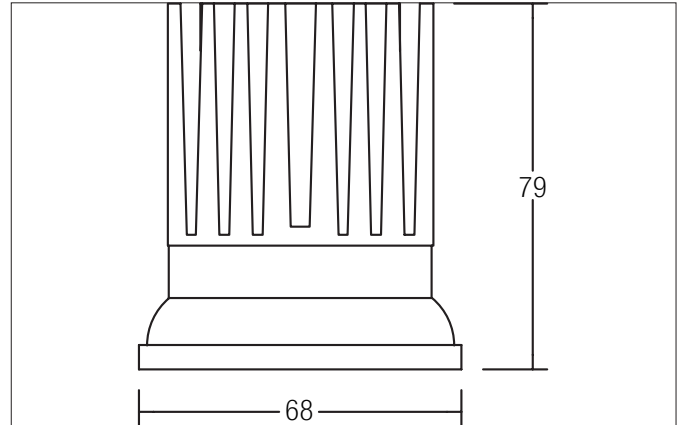




COUPLED-R LED system downlight, IP44, round

Article no. 12630073



Tender

LED system downlight, IP44, round, Round. Ceiling cut-out Installation depth 79 mm, Outer diameter 68 mm, Weight 0,181 kg, Reflector silver with rotationssymmetrical, deep, wide distributed light intensity. Cover plastic, transparent Luminous flux 740 lm, Power 1 x 8,9 W, Light colour warm white, Correlated color temperature (CCT) 3.000 K, Colour rendering index CRI > 90, Housing material: Aluminium / Glass, Colour: white matt, Permissible ambient temperature (ta): -20 °C up to +25 °C, Protection class (EN 61140): III, Degree of protection (DIN EN 60529): IP44. For connection to an external driver, which is not included in the scope of delivery of the luminaire. Depending on driver dimmable.

Product Benefits

- LED recessed spotlight in round aluminum design.
- With 430 mm tube suspension.
- Luminaire head can be rotated (355°) and swiveled (25°).
- Ceiling cut-out 60 mm, outer diameter 68 mm (cover plate ceiling cut-out), installation depth 40 mm, Luminous flux 250 lm, IP20.
- Set including switchable converter.


COUPLED-R LED system downlight, IP44, round

Article no. 12630073

Article data	
Article no.	12630073
GTIN	4251433916086
Series name	COUPLED-R
Short description	LED system downlight, IP44, round
Material	Aluminium / Glass
Colour	white matt
Type of surface	Matt
Shape	Round
Outer diameter	68 mm
Installation depth	79 mm
Weight	0.181 kg
D licence plate	No
Conformance	CE, UKCA

Lighting technology	
Colour temperature	3.000 K
Light colour	white
Light output	Direct
Luminous flux	740 lm
System efficiency	83 lm/W
Colour rendering	CRI > 90
Reflector	Faceted
Reflector colour	silver
Beam angle	34°
Light sharing	Symmetric
Adjustable color temperature	No

Operating technology of the luminaire	
System output	8.9 W
Voltage type	DC
Current	500 mA
Lamp	LED
Protection class	III
Protection class on the ceiling side	IP20
Degree of protection	IP44
Dimmable	Depending on type of control gear
Control	Depending on driver
Bulb change possible	The light source of this luminaire may only be replaced by the manufacturer or a service technician commissioned by him or a similarly qualified person.
Energy efficiency class	not required

Mounting technology	
Mounting method	Recessed mounting
Place of installation	Ceiling-mounted
Adjustability	Not adjustable
Further references	No cover with thermal insulation material
Material cover	Plastic, transparent
Suitable for through-wiring	Yes, with optional accessories


COUPLED-R LED system downlight, IP44, round

Article no. 12630073

Packing data	
Gross weight	0.242 kg
Length of packaging	105 mm
Packaging width	105 mm
Packaging height	110 mm
Disposal at end of life	<p>This product must not be disposed of with household waste. You are obliged, to dispose of such electrical waste separately.</p> <p>By disposing of electrical waste and other old or defective electronics separately, you support recycling or other forms of re-use. In that way you help to take care and to avoid that harmful substances get into the environment.</p>

Required accessories	
Article no.: 17823010	LED converter 500 mA, on/off switchable Power: 1 - 22 W, ohne Konfektionierung Dimensions: 146.5 mm x 43.5 mm x 30 mm https://www.brumberg.com/fileadmin/products/Datenblatt_17823010_2021_DE.pdf
Article no.: 17822010	LED converter 500 mA, trailing-edge phase dimmable Power: 8 - 20 W, ohne Konfektionierung Dimensions: 110.5 mm x 52 mm x 22 mm https://www.brumberg.com/fileadmin/products/Datenblatt_17822010_2021_DE.pdf
Article no.: 17829010	LED converter 500 mA, trailing-edge phase dimmable Power: 1 - 24 W, ohne Konfektionierung Dimensions: 166 mm x 46 mm x 34 mm https://www.brumberg.com/fileadmin/products/Datenblatt_17829010_2021_DE.pdf
Article no.: 17824010	LED converter 500 mA, 1-10V dimmable (analog) Power: 5 - 27 W, ohne Konfektionierung Dimensions: 146.5 mm x 43.5 mm x 30 mm https://www.brumberg.com/fileadmin/products/Datenblatt_17824010_2021_DE.pdf
Article no.: 17826010	LED converter 500 mA, DALI dimmable (digital) Power: 5 - 27 W, ohne Konfektionierung Dimensions: 146.5 mm x 44 mm x 30 mm https://www.brumberg.com/fileadmin/products/Datenblatt_17826010_2021_DE.pdf
Article no.: 82030170	Recessed ring, round Dimensions: 83 mm x 3 mm https://www.brumberg.com/fileadmin/products/Datenblatt_82030170_2021_DE.pdf
Article no.: 82032170	Plaster ring, round, for frameless mounting Dimensions: 85 mm https://www.brumberg.com/fileadmin/products/Datenblatt_82032170_2021_DE.pdf



COUPLED-R LED system downlight, IP44, round
Article no. 12630073

Optional accessories

Article no.: 83330000

Connection box 230 V AC, 3-pole

Dimensions: 85 mm x 35 mm x 30 mm

https://www.brumberg.com/fileadmin/products/Datenblatt_83330000_2021_DE.pdf

Article no.: 83331000

Connection box 230 V AC, 5-pole (DALI / 1-10 V)

Dimensions: 90 mm x 52 mm x 30 mm

https://www.brumberg.com/fileadmin/products/Datenblatt_83331000_2021_DE.pdf