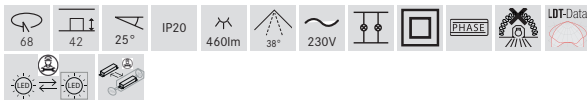
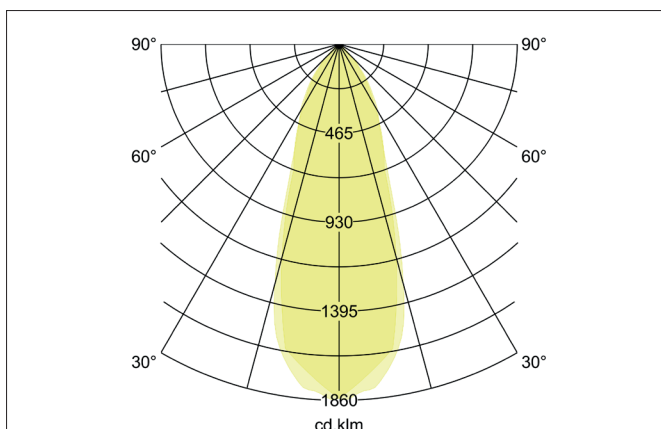
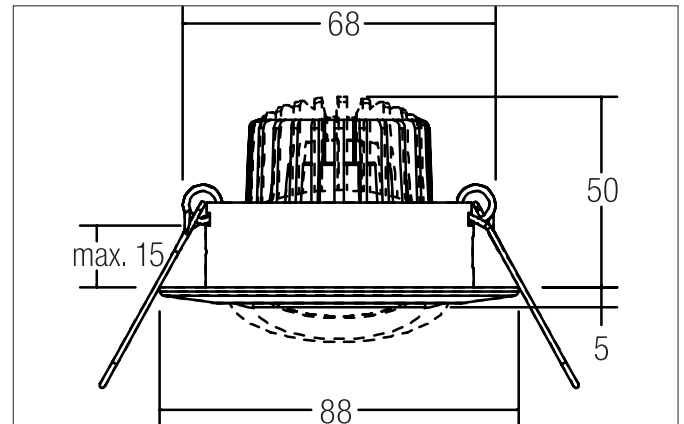



**BB13 LED recessed spot set BB13, dim2warm, trailing-edge phase dimmable**

Article no. 39373023


**Tender**

LED recessed spot set BB13, dim2warm, trailing-edge phase dimmable, Round. Toolless ceiling installation by installation springs. Ceiling cut-out Ø 68 mm, Installation depth 42 mm, Outer diameter 88 mm, Weight 0,296 kg, Reflector silver with rotationssymmetrical, deep, wide distributed light intensity. Cover glass transparent Luminous flux 460 lm, Power 1 x 6 W, Light colour warm white to warm white, Correlated color temperature (CCT) 3.000 K - 1.800 K, Colour rendering index CRI > 90, Housing material: Cast iron / Aluminium / Glass / Plastic, Colour: chrome glossy, Permissible ambient temperature (ta): -20 °C up to +25 °C, Protection class (EN 61140): II, Degree of protection (DIN EN 60529): IP20. With electronic driver, Trailing-edge phase dimmable.

**Product Benefits**

- LED recessed spotlight in round design made of cast zinc and cast aluminum with 6 W LED module (dim2warm, 3,000 K - 1,800 K) and phase dimmable converter.
- Ceiling cut-out 68 mm, diameter 88 mm, installation depth 50 mm, IP20.
- Pivoting range 25°.
- Without visible snap ring.
- Classic, formally restrained design.
- Also available with the same surface structure and in the same color also available in a square version.


**BB13 LED recessed spot set BB13, dim2warm, trailing-edge phase dimmable**

Article no. 39373023

Article data	
Article no.	39373023
GTIN	4251433916833
Series name	BB13
Short description	LED recessed spot set BB13, dim2warm, trailing-edge phase dimmable
Material	Cast iron / Aluminium / Glass / Plastic
Colour	chrome glossy
Type of surface	Glossy
Shape	Round
Outer diameter	88 mm
Built-in diameter min.	68 mm
Built-in diameter max.	68 mm
Installation depth	42 mm
Hight	5 mm
Weight	0.296 kg
D licence plate	No
Conformance	CE, UKCA

Lighting technology	
Colour temperature	3.000 K - 1.800 K
Light colour	white
Color Temperature 1	3,000 K
Light output	Direct
Luminous flux	460 lm
Luminous flux 1	460 lm
System efficiency	77 lm/W
Colour rendering	CRI > 90
Reflector	Faceted
Reflector colour	silver
Beam angle	38°
Light sharing	Symmetric
Adjustable color temperature	Infinite control

Operating technology of the luminaire	
Article No. of used light source	12963383
Hight	32 mm
Outer diameter	50 mm
Lamp holder	Plug&Play
Power	6 W
Voltage type	DC
Current	350 mA
Lamp	LED
Protection class	III
Degree of protection	IP20
Energy efficiency class	G
Bulb change possible	The light source of this luminaire may only be replaced by the manufacturer or a service technician commissioned by him or a similarly qualified person.


**BB13 LED recessed spot set BB13, dim2warm, trailing-edge phase dimmable**

Article no. 39373023

Operating technology of driver	
Article No. of used driver	17663000
Length	110 mm
Width	50 mm
Hight	19 mm
AC nominal voltage min	198 V
AC nominal voltage max	264 V
Frequency max	60 Hz
Dimmable	Yes
Control	Trailing-edge phase
Starting current	1 A, 15,2 $\mu$ s
Power	2.8 W
Power	7 W
Output current	350 mA
Degree of protection	IP20
Protection class	II
Flicker-free	Yes

Mounting technology	
Mounting method	Recessed mounting
Place of installation	Ceiling-mounted
Adjustability	Pivoted
Swivel angle	25°
Max. ceiling thickness	15 mm
Further references	No cover with thermal insulation material
Material cover	Glass transparent
Suitable for through-wiring	Yes, with optional accessories

Packing data	
Gross weight	0.353 kg
Length of packaging	95 mm
Packaging width	75 mm
Packaging hight	95 mm
Disposal at end of life	This product must not be disposed of with household waste. You are obliged, to dispose of such electrical waste separately. By disposing of electrical waste and other old or defective electronics separately, you support recycling or other forms of re-use. In that way you help to take care and to avoid that harmful substances get into the environment.



**BB13 LED recessed spot set BB13, dim2warm, trailing-edge phase dimmable**

Article no. 39373023

**Optional accessories**

Article no.: 81204020

Reducing ring D 110 mm, for luminaire cut-out size 68 mm

[https://www.brumberg.com/fileadmin/products/Datenblatt\\_81204020\\_2021\\_DE.pdf](https://www.brumberg.com/fileadmin/products/Datenblatt_81204020_2021_DE.pdf)

Article no.: 81205020

Reducing ring D 130 mm, for luminaire cut-out size 68 mm

[https://www.brumberg.com/fileadmin/products/Datenblatt\\_81205020\\_2021\\_DE.pdf](https://www.brumberg.com/fileadmin/products/Datenblatt_81205020_2021_DE.pdf)

Article no.: 81206020

Reducing ring D 145 mm, for luminaire cut-out size 68 mm

[https://www.brumberg.com/fileadmin/products/Datenblatt\\_81206020\\_2021\\_DE.pdf](https://www.brumberg.com/fileadmin/products/Datenblatt_81206020_2021_DE.pdf)

Article no.: 83330000

Connection box 230 V AC, 3-pole

Dimensions: 85 mm x 35 mm x 30 mm

[https://www.brumberg.com/fileadmin/products/Datenblatt\\_83330000\\_2021\\_DE.pdf](https://www.brumberg.com/fileadmin/products/Datenblatt_83330000_2021_DE.pdf)