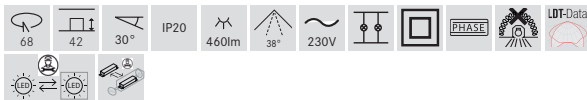
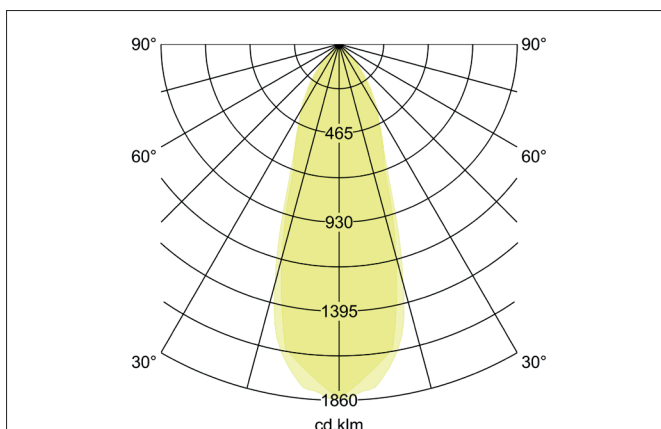
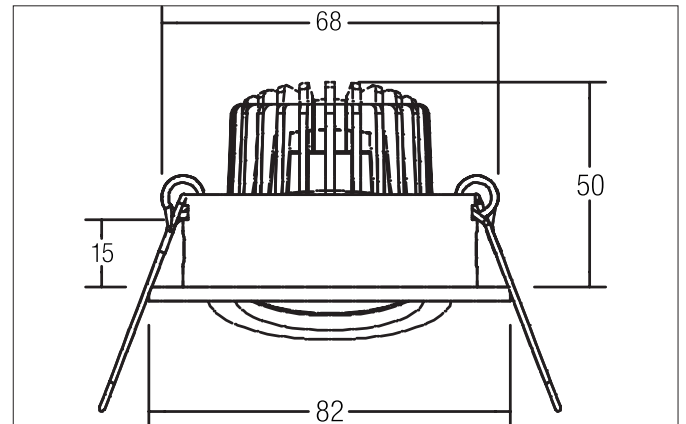




**BB18 LED recessed spot set BB18, dim2warm, phase dimmable,
incl. connection box**
Article no. 39483253



Tender

LED recessed spot set BB18, dim2warm, phase dimmable, incl. connection box, Round. Toolless ceiling installation by installation springs. Ceiling cut-out Ø 68 mm, Installation depth 42 mm, Outer diameter 82 mm, Weight 0,244 kg, Reflector silver with rotationssymmetrical, deep, wide distributed light intensity. Cover glass transparent Luminous flux 460 lm, Power 1 x 6 W, Light colour warm white to warm white, Correlated color temperature (CCT) 3.000 K - 1.800 K, Colour rendering index CRI > 90, Housing material: Aluminium / Glass / Plastic, Colour: aluminum matt, Permissible ambient temperature (ta): -20 °C up to +25 °C, Protection class (EN 61140): II, Degree of protection (DIN EN 60529): IP20. With electronic driver, Trailing-edge phase dimmable.

Product Benefits

- LED recessed spotlight in round aluminum design with 6 W LED module (dim2warm, 3,000 K - 1,800 K) and phase dimmable converter.
- 3-pin connection box included in the scope of delivery.
- Ceiling cut-out 68 mm, diameter 82 mm, installation depth 50 mm, IP20.
- Pivoting range 25°.
- Without visible snap ring.
- Classic, formally restrained design.
- Also available with the same surface structure and in the same color also available in a square version.


**BB18 LED recessed spot set BB18, dim2warm, phase dimmable,
incl. connection box**

Article no. 39483253

| Article data | |
|------------------------|--|
| Article no. | 39483253 |
| GTIN | 4251433936862 |
| Series name | BB18 |
| Short description | LED recessed spot set BB18, dim2warm, phase dimmable, incl. connection box |
| Material | Aluminium / Glass / Plastic |
| Colour | aluminum matt |
| Type of surface | Matt |
| Shape | Round |
| Outer diameter | 82 mm |
| Built-in diameter min. | 67 mm |
| Built-in diameter max. | 68 mm |
| Installation depth | 42 mm |
| Hight | 3 mm |
| Scope of delivery | Incl. 3-pole connection box |
| Weight | 0.244 kg |
| D licence plate | No |
| Conformance | CE, UKCA |

| Lighting technology | |
|------------------------------|-------------------|
| Colour temperature | 3.000 K - 1.800 K |
| Light colour | white |
| Color Temperature 1 | 3,000 K |
| Light output | Direct |
| Luminous flux | 460 lm |
| Luminous flux 1 | 460 lm |
| System efficiency | 77 lm/W |
| Colour rendering | CRI > 90 |
| Reflector | Faceted |
| Reflector colour | silver |
| Beam angle | 38° |
| Light sharing | Symmetric |
| Adjustable color temperature | Infinite control |

| Operating technology of the luminaire | |
|---------------------------------------|--|
| Article No. of used light source | 12963383 |
| Hight | 32 mm |
| Outer diameter | 50 mm |
| Lamp holder | Plug&Play |
| Power | 6 W |
| Voltage type | DC |
| Current | 350 mA |
| Lamp | LED |
| Protection class | III |
| Degree of protection | IP20 |
| Energy efficiency class | G |
| Bulb change possible | The light source of this luminaire may only be replaced by the manufacturer or a service technician commissioned by him or a similarly qualified person. |



**BB18 LED recessed spot set BB18, dim2warm, phase dimmable,
incl. connection box**
Article no. 39483253

| Operating technology of driver | |
|--------------------------------|---------------------|
| Article No. of used driver | 17663000 |
| Length | 110 mm |
| Width | 50 mm |
| Hight | 19 mm |
| AC nominal voltage min | 198 V |
| AC nominal voltage max | 264 V |
| Frequency max | 60 Hz |
| Dimmable | Yes |
| Control | Trailing-edge phase |
| Starting current | 1 A, 15,2 µs |
| Power min | 2.8 W |
| Power | 7 W |
| Output current | 350 mA |
| Degree of protection | IP20 |
| Protection class | II |
| Flicker-free | Yes |

| Mounting technology | |
|-----------------------------|---|
| Mounting method | Recessed mounting |
| Place of installation | Ceiling-mounted |
| Adjustability | Pivoted |
| Swivel angle | 30° |
| Max. ceiling thickness | 15 mm |
| Further references | No cover with thermal insulation material |
| Material cover | Glass transparent |
| Suitable for through-wiring | Yes |

| Packing data | |
|-------------------------|---|
| Gross weight | 0.305 kg |
| Length of packaging | 100 mm |
| Packaging width | 100 mm |
| Packaging hight | 100 mm |
| Disposal at end of life | This product must not be disposed of with household waste. You are obliged, to dispose of such electrical waste separately. By disposing of electrical waste and other old or defective electronics separately, you support recycling or other forms of re-use. In that way you help to take care and to avoid that harmful substances get into the environment. |

| Optional accessories | |
|---|--|
| Article no.: 81201250 Reducing ring D 110 mm, for luminaire cut-out size 68 mm | |
| Dimensions: 110 mm https://www.brumberg.com/fileadmin/products/Datenblatt_81201250_2021_DE.pdf | |
| Article no.: 81202250 Reducing ring D 130 mm, for luminaire cut-out size 68 mm | |
| Dimensions: 130 mm https://www.brumberg.com/fileadmin/products/Datenblatt_81202250_2021_DE.pdf | |
| Article no.: 81203250 Reducing ring D 145 mm, for luminaire cut-out size 68 mm | |
| Dimensions: 145 mm https://www.brumberg.com/fileadmin/products/Datenblatt_81203250_2021_DE.pdf | |