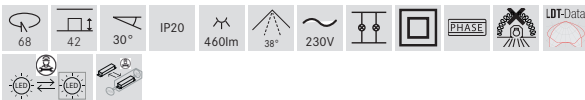
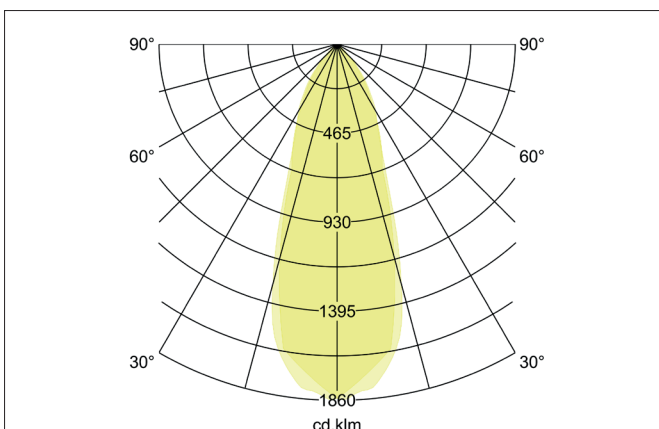
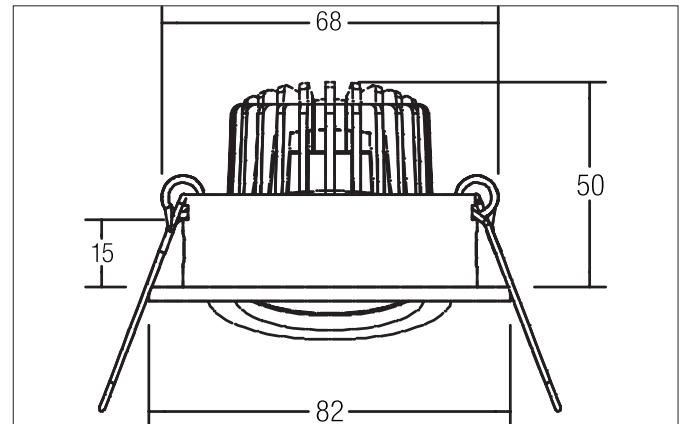




**BB18 LED recessed spot set BB18, dim2warm, phase dimmable,  
incl. connection box**  
Article no. 39483073



#### Tender

LED recessed spot set BB18, dim2warm, phase dimmable, incl. connection box, Round. Toolless ceiling installation by installation springs. Ceiling cut-out Ø 68 mm, Installation depth 42 mm, Outer diameter 82 mm, Weight 0,244 kg, Reflector silver with rotationssymmetrical, deep, wide distributed light intensity. Cover glass transparent Luminous flux 460 lm, Power 1 x 6 W, Light colour warm white to warm white, Correlated color temperature (CCT) 3.000 K - 1.800 K, Colour rendering index CRI > 90, Housing material: Aluminium / Glass / Plastic, Colour: white matt, Permissible ambient temperature (ta): -20 °C up to +25 °C, Protection class (EN 61140): II, Degree of protection (DIN EN 60529): IP20. With electronic driver, Trailing-edge phase dimmable.

#### Product Benefits

- LED recessed spotlight in round design made of solid aluminum with LED module 7 W (3,000 K) and switchable converter.
- Ceiling cut-out 68 mm, diameter 82 mm, installation depth 38 mm, IP20.
- Pivoting range 20°.
- Without visible snap ring.
- Classic, formally restrained design.
- Also available as a dimmable set (trailing edge or DALI) with the same look.
- Also available with the same surface structure and in the same color also available in a square version.


**BB18 LED recessed spot set BB18, dim2warm, phase dimmable,  
incl. connection box**

Article no. 39483073

| Article data           |  |
|------------------------|--|
| Article no.            | 39483073   |
| GTIN                   | 4251433936848  |
| Series name            | BB18   |
| Short description      | LED recessed spot set BB18, dim2warm, phase dimmable, incl. connection box |
| Material               | Aluminium / Glass / Plastic  |
| Colour                 | white matt   |
| Type of surface        | Matt   |
| Shape                  | Round  |
| Outer diameter         | 82 mm  |
| Built-in diameter min. | 67 mm  |
| Built-in diameter max. | 68 mm  |
| Installation depth     | 42 mm  |
| Hight                  | 3 mm   |
| Scope of delivery      | Incl. 3-pole connection box  |
| Weight                 | 0.244 kg   |
| D licence plate        | No   |
| Conformance            | CE, UKCA   |

| Lighting technology          |                   |
|------------------------------|-------------------|
| Colour temperature           | 3.000 K - 1.800 K |
| Light colour                 | white             |
| Color Temperature 1          | 3,000 K           |
| Light output                 | Direct            |
| Luminous flux                | 460 lm            |
| Luminous flux 1              | 460 lm            |
| System efficiency            | 77 lm/W           |
| Colour rendering             | CRI > 90          |
| Reflector                    | Faceted           |
| Reflector colour             | silver            |
| Beam angle                   | 38°               |
| Light sharing                | Symmetric         |
| Adjustable color temperature | Infinite control  |

| Operating technology of the luminaire |  |
|---------------------------------------|--|
| Article No. of used light source      | 12963383   |
| Hight                                 | 32 mm  |
| Outer diameter                        | 50 mm  |
| Lamp holder                           | Plug&Play  |
| Power                                 | 6 W  |
| Voltage type                          | DC   |
| Current                               | 350 mA   |
| Lamp                                  | LED  |
| Protection class                      | III  |
| Degree of protection                  | IP20   |
| Energy efficiency class               | G  |
| Bulb change possible                  | The light source of this luminaire may only be replaced by the manufacturer or a service technician commissioned by him or a similarly qualified person. |



**BB18 LED recessed spot set BB18, dim2warm, phase dimmable,  
incl. connection box**  
Article no. 39483073

| Operating technology of driver |                     |
|--------------------------------|---------------------|
| Article No. of used driver     | 17663000            |
| Length                         | 110 mm              |
| Width                          | 50 mm               |
| Hight                          | 19 mm               |
| AC nominal voltage min         | 198 V               |
| AC nominal voltage max         | 264 V               |
| Frequency max                  | 60 Hz               |
| Dimmable                       | Yes                 |
| Control                        | Trailing-edge phase |
| Starting current               | 1 A, 15,2 µs        |
| Power min                      | 2.8 W               |
| Power                          | 7 W                 |
| Output current                 | 350 mA              |
| Degree of protection           | IP20                |
| Protection class               | II                  |
| Flicker-free                   | Yes                 |

| Mounting technology         |   |
|-----------------------------|---|
| Mounting method             | Recessed mounting                         |
| Place of installation       | Ceiling-mounted                           |
| Adjustability               | Pivoted                                   |
| Swivel angle                | 30°                                       |
| Max. ceiling thickness      | 15 mm                                     |
| Further references          | No cover with thermal insulation material |
| Material cover              | Glass transparent                         |
| Suitable for through-wiring | Yes                                       |

| Packing data            |   |
|-------------------------|---|
| Gross weight            | 0.305 kg  |
| Length of packaging     | 100 mm  |
| Packaging width         | 100 mm  |
| Packaging hight         | 100 mm  |
| Disposal at end of life | This product must not be disposed of with household waste. You are obliged, to dispose of such electrical waste separately.<br>By disposing of electrical waste and other old or defective electronics separately, you support recycling or other forms of re-use. In that way you help to take care and to avoid that harmful substances get into the environment. |

| Optional accessories  |  |
|---|--|
| Article no.: 81201370<br>Reducing ring D 110 mm, for luminaire cut-out size 68 mm   |  |
| Dimensions: 110 mm<br><a href="https://www.brumberg.com/fileadmin/products/Datenblatt_81201370_2021_DE.pdf">https://www.brumberg.com/fileadmin/products/Datenblatt_81201370_2021_DE.pdf</a> |  |
| Article no.: 81202370<br>Reducing ring D 130 mm, for luminaire cut-out size 68 mm   |  |
| Dimensions: 130 mm<br><a href="https://www.brumberg.com/fileadmin/products/Datenblatt_81202370_2021_DE.pdf">https://www.brumberg.com/fileadmin/products/Datenblatt_81202370_2021_DE.pdf</a> |  |
| Article no.: 81203370<br>Reducing ring D 145 mm, for luminaire cut-out size 68 mm   |  |
| Dimensions: 145 mm<br><a href="https://www.brumberg.com/fileadmin/products/Datenblatt_81203370_2021_DE.pdf">https://www.brumberg.com/fileadmin/products/Datenblatt_81203370_2021_DE.pdf</a> |  |