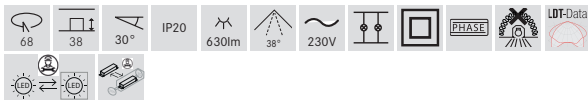
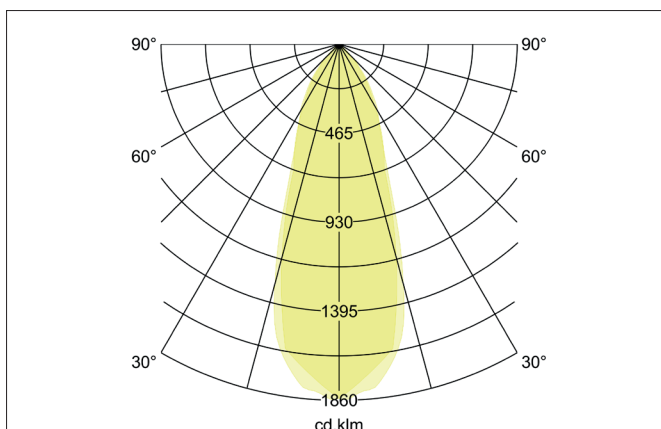
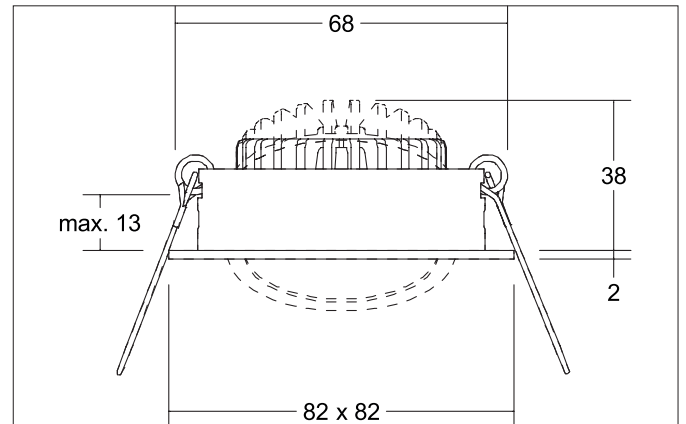



BB05 LED recessed spot set, trailing-edge phase dimmable, incl. connection box

Article no. 39465023


Tender

LED recessed spot set, trailing-edge phase dimmable, incl. connection box, Square. Toolless ceiling installation by installation springs. Ceiling cut-out \varnothing 68 mm, Installation depth 38 mm, Length 82 mm, Width 82 mm, Weight 0,202 kg, Reflector silver with rotationssymmetrical, deep, wide distributed light intensity. Cover polycarbonat clear Luminous flux 630 lm, Power 1 x 6 W, Light colour warm white, Correlated color temprature (CCT) 3.000 K, Colour rendering index CRI > 80, Rated life time L80/B20 at 25 °C: 50.000 h, Housing material: Aluminium / Polycarbonate, Colour: chrome glossy, Permissible ambient temperature (ta): -20 °C up to +25 °C, Protection class (EN 61140): II, Degree of protection (DIN EN 60529): IP20. With electronic driver, Trailing-edge phase dimmable.

Product Benefits

- LED recessed spotlight in square aluminum design with LED module 6 W (3,000 K) and phase-dimmable converter.
- 3-pin connection box included in the scope of delivery.
- Ceiling cut-out 68 mm, length 82 mm, width 82 mm, installation depth 38 mm, IP20.
- Swivel range 30°.
- Without visible snap ring.
- Classic, formally restrained design.
- Also available in the same look as a switchable or dimmable DALI set.
- Also available with the same surface structure and in the same color also available in a round version.


BB05 LED recessed spot set, trailing-edge phase dimmable, incl. connection box

Article no. 39465023

Article data	
Article no.	39465023
GTIN	4251433936053
Series name	BB05
Short description	LED recessed spot set, trailing-edge phase dimmable, incl. connection box
Material	Aluminium / Polycarbonate
Colour	chrome glossy
Type of surface	Glossy
Shape	Square
Length	82 mm
Width	82 mm
Built-in diameter min.	68 mm
Built-in diameter max.	68 mm
Installation depth	38 mm
Hight	2 mm
Scope of delivery	incl. connection box, 3-pole
Weight	0.202 kg
D licence plate	No
Conformance	CE, UKCA

Lighting technology	
Colour temperature	3.000 K
Light colour	white
Light output	Direct
Luminous flux	630 lm
System efficiency	105 lm/W
Colour rendering	CRI > 80
Reflector	Faceted
Reflector colour	silver
Beam angle	38°
Light sharing	Symmetric
Adjustable color temperature	No

Operating technology of the luminaire	
System output	6 W
Voltage type	AC
AC nominal voltage max	230 V
Frequency max	50 Hz
Lamp	LED
Protection class	II
Degree of protection	IP20
Dimmable	Yes
Control	Trailing-edge phase
Bulb change possible	The light source of this luminaire may only be replaced by the manufacturer or a service technician commissioned by him or a similarly qualified person.
Rated life time L80/B20 at 25 °C	50.000 h
Energy efficiency class	not required

Mounting technology	
Mounting method	Recessed mounting
Place of installation	Ceiling-mounted
Adjustability	Pivoted
Swivel angle	30°
Max. ceiling thickness	13 mm
Further references	No cover with thermal insulation material
Material cover	Polycarbonat clear
Suitable for through-wiring	Yes, with optional accessories

**BRUMBERG**

Light. Since 1873.

BB05 LED recessed spot set, trailing-edge phase dimmable, incl. connection box

Article no. 39465023

Packing data	
Gross weight	0.263 kg
Length of packaging	100 mm
Packaging width	100 mm
Packaging height	100 mm
Disposal at end of life	<p>This product must not be disposed of with household waste. You are obliged, to dispose of such electrical waste separately.</p> <p>By disposing of electrical waste and other old or defective electronics separately, you support recycling or other forms of re-use. In that way you help to take care and to avoid that harmful substances get into the environment.</p>

Optional accessories	
Article no.:	5327
Leaf spring set	
https://www.brumberg.com/fileadmin/products/Datenblatt_00532700_2021_DE.pdf	