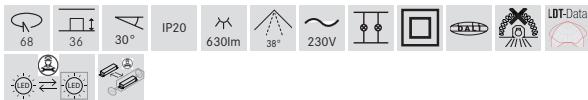
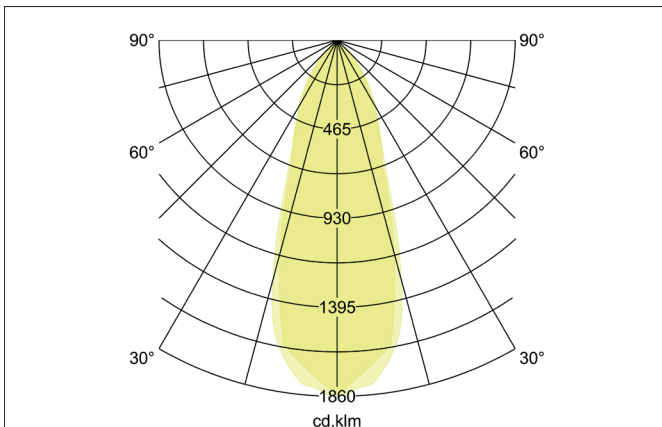
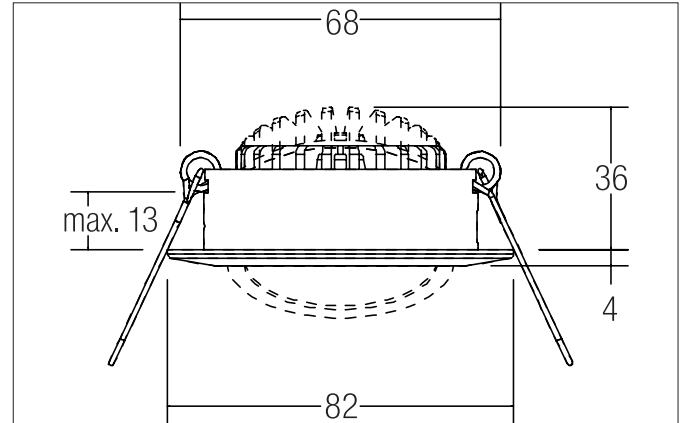




BB03 LED recessed spot set, DALI dimmable, incl. connection box

Article no. 41463023



Tender
LED recessed spot set, DALI dimmable, incl. connection box, Round. Toolless ceiling installation by installation springs. Ceiling cut-out Ø 68 mm, Installation depth 36 mm, Outer diameter 82 mm, Weight 0,247 kg, Reflector silver with rotationssymmetrical, deep, wide distributed light intensity. Cover polycarbonat clear Luminous flux 630 lm, Power 1 x 6 W, Light colour warm white, Correlated color temperature (CCT) 3.000 K, Colour rendering index CRI > 80, Rated life time L80/B20 at 25 °C: 50.000 h, Housing material: Aluminium / Polycarbonate, Colour: chrome glossy, Permissible ambient temperature (ta): -20 °C up to +25 °C, Protection class (EN 61140): II, Degree of protection (DIN EN 60529): IP20. With electronic driver, DALI-2 dimmable.

Product Benefits

- LED recessed spotlight in round aluminum design with LED module 6 W (3,000 K) and DALI dimmable converter.
- Connection box 5-pole included in scope of delivery.
- Ceiling cut-out 68 mm, diameter 82 mm, installation depth 36 mm, IP20.
- Swivel range 30°.
- Without visible snap ring.
- Classic, minimalist design.
- Also available as a switchable or phase-dimmable set with the same look.
- Also available with the same surface structure and in the same color also available in a square version.


BB03 LED recessed spot set, DALI dimmable, incl. connection box

Article no. 41463023

Article data	
Article no.	41463023
GTIN	4251433935964
Series name	BB03
Short description	LED recessed spot set, DALI dimmable, incl. connection box
Material	Aluminium / Polycarbonate
Colour	chrome glossy
Type of surface	Glossy
Shape	Round
Outer diameter	82 mm
Built-in diameter min.	68 mm
Built-in diameter max.	68 mm
Installation depth	36 mm
Hight	4 mm
Scope of delivery	Incl. 5-pole connection box
Weight	0.247 kg
D licence plate	No
Conformance	CE, UKCA

Lighting technology	
Colour temperature	3.000 K
Light colour	white
Light output	Direct
Luminous flux	630 lm
System efficiency	105 lm/W
Colour rendering	CRI > 80
Reflector	Faceted
Reflector colour	silver
Beam angle	38°
Light sharing	Symmetric
Adjustable color temperature	No

Operating technology of the luminaire	
System output	6 W
Voltage type	AC
AC nominal voltage max	230 V
Frequency max	50 Hz
Lamp	LED
Lamp holder	Without fitting
Protection class	II
Degree of protection	IP20
Dimmable	Yes
Control	DALI-2
Bulb change possible	The light source of this luminaire may only be replaced by the manufacturer or a service technician commissioned by him or a similarly qualified person.
Rated life time L80/B20 at 25 °C	50.000 h
Energy efficiency class	not required

Mounting technology	
Mounting method	Recessed mounting
Place of installation	Ceiling-mounted
Adjustability	Pivoted
Swivel angle	30°
Max. ceiling thickness	13 mm
Further references	No cover with thermal insulation material
Material cover	Polycarbonat clear
Suitable for through-wiring	Yes


BB03 LED recessed spot set, DALI dimmable, incl. connection box

Article no. 41463023

Packing data	
Gross weight	0.322 kg
Length of packaging	140 mm
Packaging width	110 mm
Packaging height	120 mm
Disposal at end of life	<p>This product must not be disposed of with household waste. You are obliged, to dispose of such electrical waste separately.</p> <p>By disposing of electrical waste and other old or defective electronics separately, you support recycling or other forms of re-use. In that way you help to take care and to avoid that harmful substances get into the environment.</p>

Optional accessories	
Article no.: 81204020 Reducing ring D 110 mm, for luminaire cut-out size 68 mm	<p>https://www.brumberg.com/fileadmin/products/Datenblatt_81204020_2021_DE.pdf</p>
Article no.: 81205020 Reducing ring D 130 mm, for luminaire cut-out size 68 mm	<p>https://www.brumberg.com/fileadmin/products/Datenblatt_81205020_2021_DE.pdf</p>
Article no.: 81206020 Reducing ring D 145 mm, for luminaire cut-out size 68 mm	<p>https://www.brumberg.com/fileadmin/products/Datenblatt_81206020_2021_DE.pdf</p>
Article no.: 5327 Leaf spring set	<p>https://www.brumberg.com/fileadmin/products/Datenblatt_00532700_2021_DE.pdf</p>